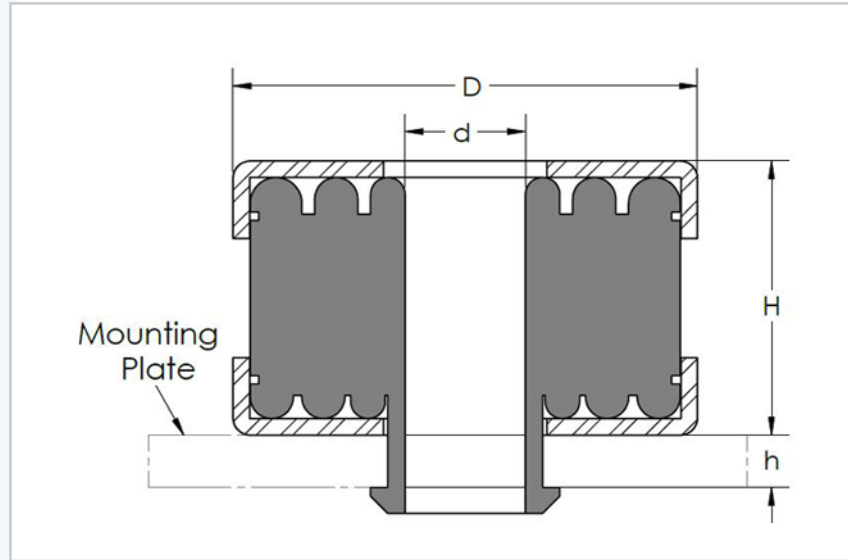


CEILING/PLATE HANGERS

CH Series Ceiling Hangers



Features:

- ✓ CH Series Plate ceiling hangers has a rubber element with collar to prevent metal to metal contact.
- ✓ Reduces transfer vibration and noise.
- ✓ Economical alternative to other type of plate ceiling hangers.

Recommended for:

- Ceiling Plate installation
- Suspended building services in plenum ceiling spaces.

| Model | Hardness | Rated Load (lbs) | Deflection (in) | H (in) | h (in) | D (in) | d (in) | Colour |
|--------|----------|------------------|-----------------|--------|--------|--------|--------|--------|
| CH 50 | 40 | 65 | 0.125 | 3/4 | 0.2 | 1 1/4 | 7/16 | Black |
| CH 100 | 60 | 120 | 0.125 | 1 | 0.2 | 1 9/16 | 7/16 | Black |