

## CEILING HANGERS

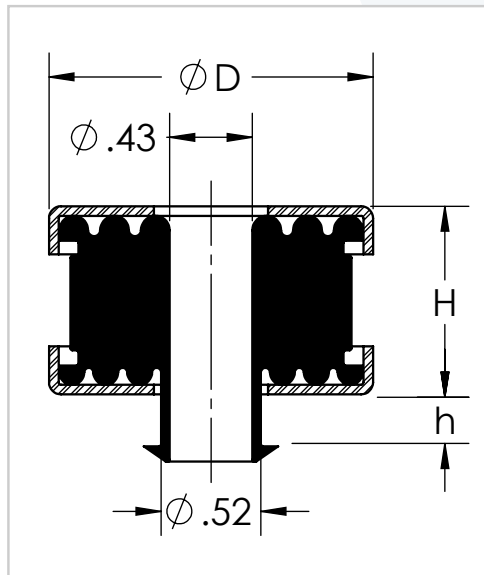
CH- Series ceiling hangers are economical alternatives to other types of hangers to isolate vibration from the suspended structure to the building.

### Features:

- ✓ CH Series Plate ceiling hangers has a rubber element with collar to prevent metal to metal contact.
- ✓ Reduces transfer vibration and noise.
- ✓ Economical alternative to other type of plate ceiling hangers.
- ✓ Fast and simple installation.

### Recommended for:

- Ceiling installation.
- Suspended building services in plenum ceiling spaces.



Model	Maximum Load (lbs)	Deflection at Max Load (in)	Dimensions in inches			Colour
			D	H	h	
CH-50	120	0.12	1.25	.75	.20	Black
CH-100	220	0.18	1.68	1	.25	Black

### Typical Installation

