

WIRE HANGERS

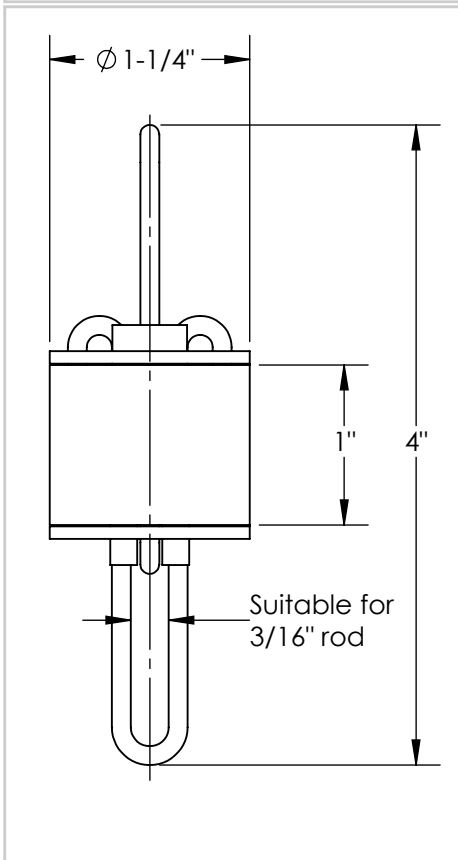
WH-Wire hangers are very popular for installation of drop ceilings, light-weight piping, suspended fixtures, etc.

Features:

- ✓ Rubber Element washer wire loops design is very popular for light duty installation.
- ✓ Reduces transfer vibration and noise.
- ✓ Economical alternative to other types of wire ceiling hangers.

Recommended for:

- Ceiling installation.
- Suspended building services in plenum ceiling spaces.



Model	Hardness (Durometer)	Rated Load (lbs)	Deflection (in)	Colour
WH-50	40	100	0.20	Green
WH-100	60	200	0.20	Blue

