

## CEILING HANGERS

E1, E2, E3 Series ceiling hangers are economical alternatives to other types of hangers to isolate vibration from the suspended structure to the building.

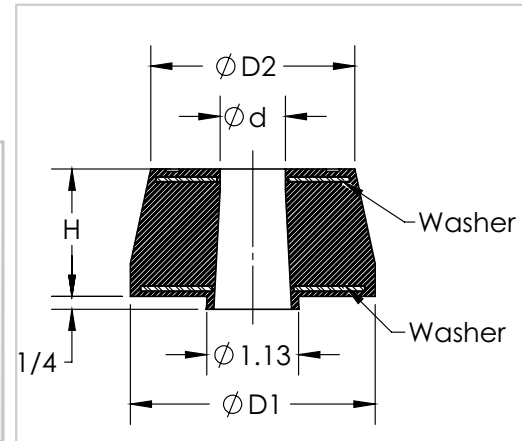
### Recommended for:

All ceiling hangers are used in installation of: fans, A/C, pipes, ducts, transformers, air compressors, pumps, power boxes, and other suspended equipment.

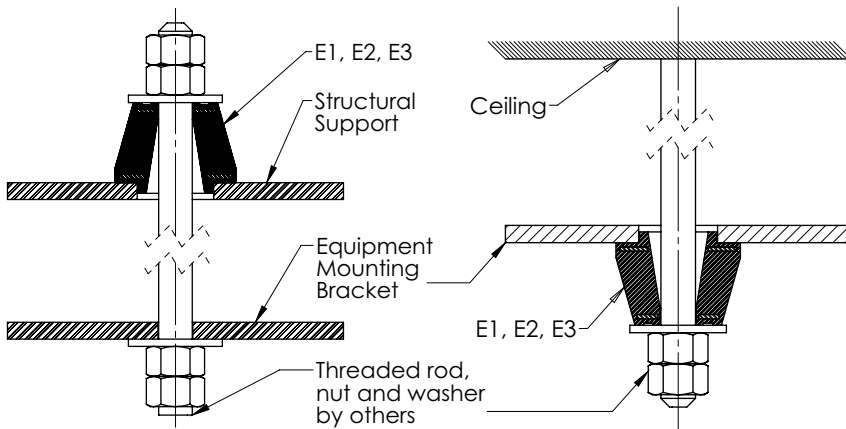


### Features:

- ✓ Black elastomer element has vulcanized steel washers for uniform load distribution.
- ✓ Economical alternative to other type of plate ceiling hangers.
- ✓ Fast and simple installation.
- ✓ Reduces transfer vibration and noise.



### Typical Installation



Model	Maximum Load (lbs)	Deflection at Max Load (in)	Dimensions in inches			
			D1	D2	H	d
E1-40	60	.12	1.8	1.3	1.18	.52
E1-60	150	.12	1.8	1.3	1.18	.52
E1-80	225	.12	1.8	1.3	1.18	.52
E2-40	200	.15	2.4	2	1.5	.65
E2-60	450	.15	2.4	2	1.5	.65
E2-80	800	.15	2.4	2	1.5	.65
E3-40	400	.16	3	2.5	1.58	.82
E3-60	850	.16	3	2.5	1.58	.82
E3-80	2,000	.16	3	2.5	1.58	.82

