

WIRE HANGERS

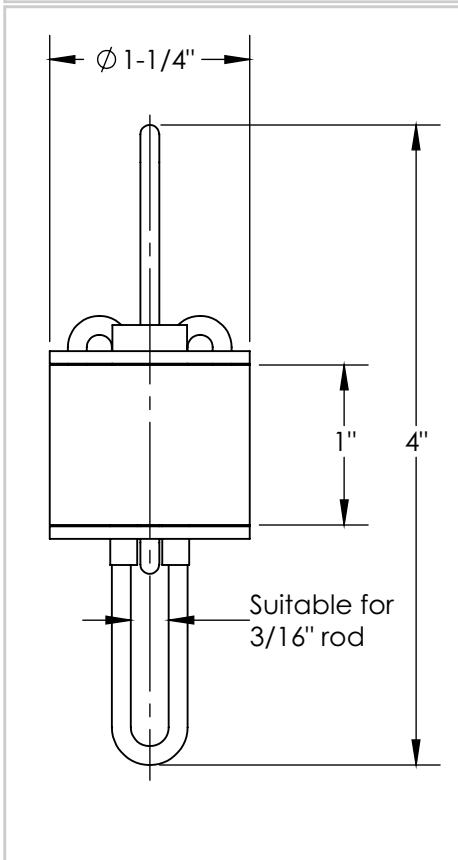
WH-Wire hangers are very popular for installation of drop ceilings, light-weight piping, suspended fixtures, etc.

Features:

- ✓ Rubber Element washer wire loops design is very popular for light duty installation.
- ✓ Reduces transfer vibration and noise.
- ✓ Economical alternative to other types of wire ceiling hangers.

Recommended for:

- Ceiling installation.
- Suspended building services in plenum ceiling spaces.



| Model | Hardness (Durometer) | Rated Load (lbs) | Deflection (in) | Colour |
|--------|----------------------|------------------|-----------------|--------|
| WH-50 | 40 | 100 | 0.20 | Green |
| WH-100 | 60 | 200 | 0.20 | Blue |

