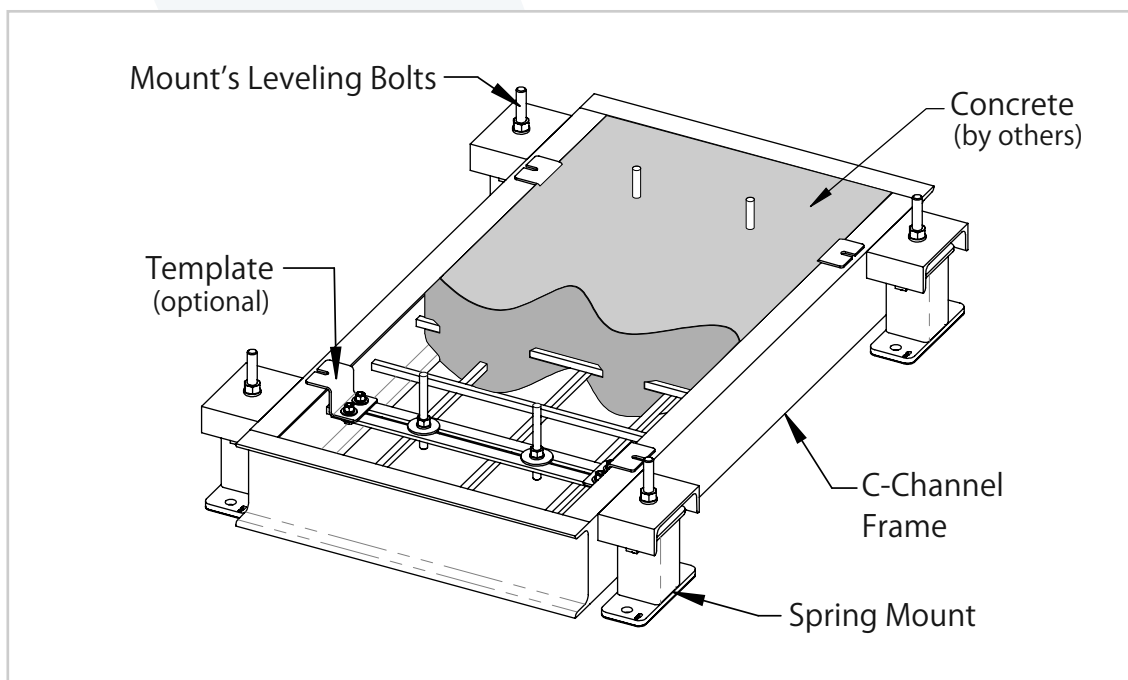


## HEAVY-DUTY WELDED INERTIA BASE - 6" HEIGHT

WIB6 - Heavy-duty Welded Inertia Bases are commonly used in the industry to reduce the amplitude of mechanical vibrations, lower the center of gravity, and lessen the equipment's movement during operations. WIB6, when filled with concrete and supported by Vibrasystems' spring mounts, provides excellent vibration isolation. WIB6 - Welded Inertia Bases are designed according to ASHRAE guidelines. Made from structural steel C Channels and reinforced with welded steel square bars each WIB6 has welded brackets to install spring mounts under them. Welded Inertia Bases are finished with a rustproof primer and a topcoat paint.

### Recommended for:

HVAC equipment such as air compressors, vacuum pumps, close-coupled pumps, inline pumps, end suction pumps, double suction pumps, package pump systems, axial fans, plenum fans, centrifugal fans, engine-driven generators, packaged Air Handler Unit, packaged Air Conditioner Unit, industrial centrifuges, etc.



### Features:

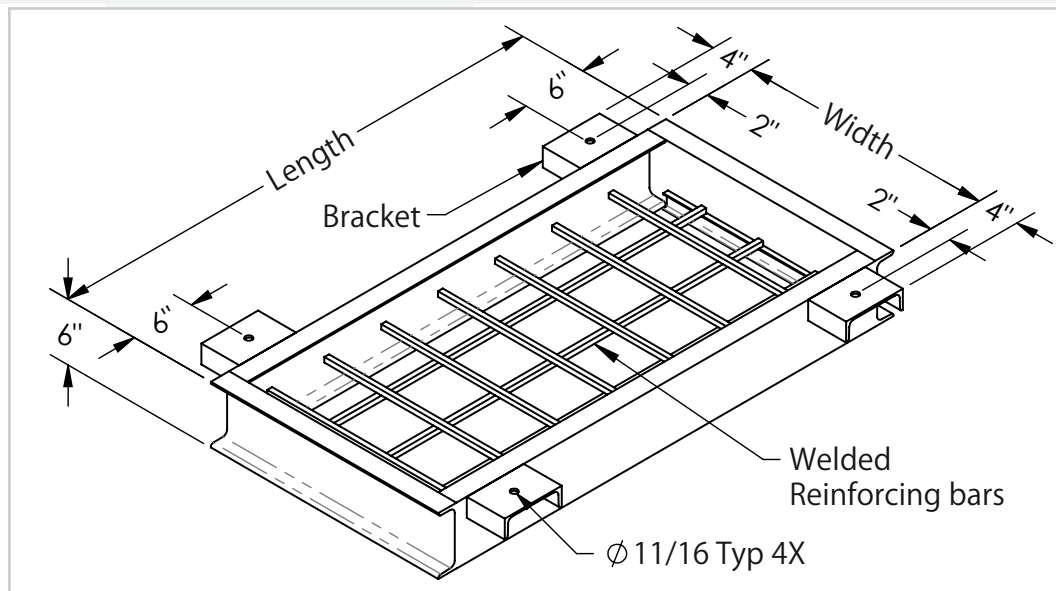
- ✓ Welded-in reinforcing bars provide rigidity to the welded structural steel perimeter frame.
- ✓ Rustproof Primer + topcoat paint provide good corrosion resistance.
- ✓ Templates with anchor bolts are optional.
- ✓ Seismic Restrained Spring Mounts are supplied with the WIB6 - Inertia Base and available in 1" & 2" deflection springs.

### Recommendations:

- ✓ Inertia Base's height must be a minimum of 1/10 of the longest span between spring isolators, but not less than 6".
- ✓ Inertia Base's weight (frame + concrete) should be 2 times the total installed equipment's weight.
- ✓ Concrete minimum 3,000 psi strength and density of 150 lb/cub. ft (concrete by others).
- ✓ After WIB6's installation is complete, the frame should have a minimum operating clearance of 1" to the floor.

## HEAVY-DUTY WELDED INERTIA BASE - 6" HEIGHT

Model	Dimensions in inches (in)		Approximate Weight in Pounds (lbs)		
	Width	Length	Frame	Concrete	Frame + Concrete
WIB6 24X48	24	48	135	550	685
WIB6 24X60	24	60	155	700	855
WIB6 30X54	30	54	160	780	940
WIB6 30X60	30	60	170	880	1,050
WIB6 36X60	36	60	190	1,050	1,240
WIB6 36X72	36	72	215	1,280	1,495
WIB6 48X60	48	60	220	1,400	1,620
WIB6 48X72	48	72	250	1,700	1,950



### Types of Spring Mounts:

1" Deflection - SRMT-100 Models	2" Deflection - SMSR-BT Models

### Notes:

- a) Custom sizes can be supplied upon request.
- b) Concrete's weight - assuming minimum 3,000 psi strength and density of 150 lb/cub.ft (concrete by others).
- c) Please see submittal drawing and Installation Instructions for more information.