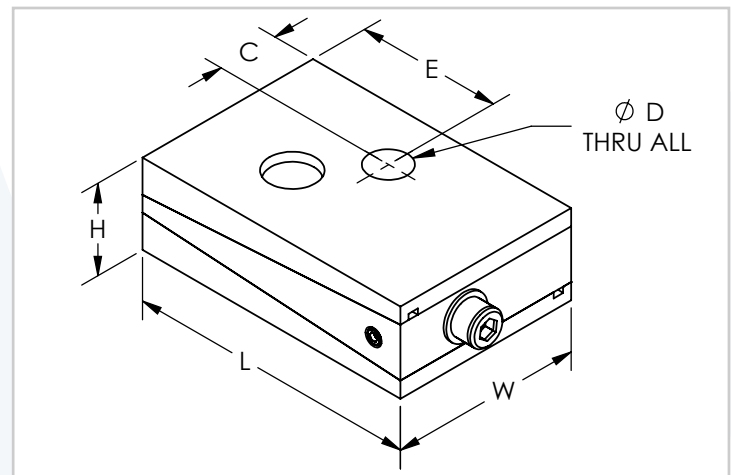


WEDGE MOUNTS

VWH- Series are designed for precise leveling of heavy industrial machinery, equipment and structures. Accurate leveling is achieved by three precision ground wedges. Wedges are guided and provide stable, accurate leveling under heavy load. Three machined wedges are held together by a horizontal adjusting bolt. A lock screw secures the mount in the leveled position. Keys in the sliding surfaces of the wedges ensure rigid mount construction. A special opening allows for bolting of the machine to the floor.

Recommended for:

VWH- Series are used on machines subject to high thrust that require a permanent connection to the machine bed, such as injection moulding machines, slotting machines, extrusion machines, etc.



Features:

- ✓ Precision leveling.
- ✓ Optimal neoprene top and bottom pads.
- ✓ Leveling range $\pm .100''$ and $\pm .150''$.

Model	Maximum Load (lbs)	Mount Dimensions in inches						Leveling H (in)
		L	W	H	C	E	D	
VWH-5	5,000	$4 \pm .125$	$2.625 \pm .125$	1.313	.813	$2 \pm .062$.500 - .625	$H \pm .100$
VWH-5R	5,000	$4 \pm .125$	$2.625 \pm .125$	1.313	.813	$2 \pm .062$.500 - .625	$H \pm .100$
VWH-15	15,000	$6 \pm .125$	$4 \pm .125$	1.875	1.25	$3 \pm .062$.750 - .875	$H \pm .150$
VWH-15R	15,000	$6 \pm .125$	$4 \pm .125$	1.875	1.25	$3 \pm .062$.750 - .875	$H \pm .150$

Note:

VWH-5 can be used with standard M12 connecting bolt or shoulder bolt.
 VWH-15 can be used with standard M18 connecting bolt or shoulder bolt.