

COMPRESSION SHEAR MOUNTS

SML/SMLS multi-layer mount is made of a rubber elastomer compound securely bonded with 4 metal plates. Both upper and lower plates have four equipment mounting holes. This design reduces deflection under vertical load with increased stability when horizontal forces are applied. Mount has a unique ability to withstand shear loads of up to 25% of compression load in combination where vertical load applied. Two mounts can be stacked to provide additional deflection under vertical loads, which considerably reduces maximum allowable shear force.

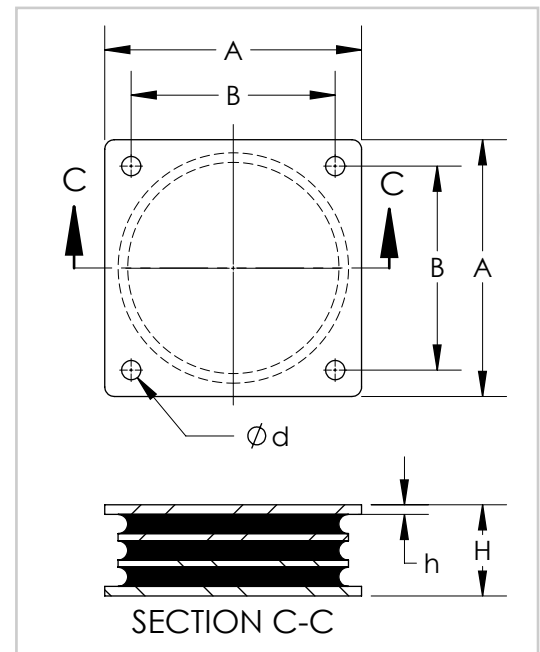


Recommended for:

Heavy-duty industrial equipment, steel mills, vibratory screens, crushers, shakers, horizontal injection molding systems, hoppers, feeders, mining and quarry equipment, construction system supports, columns, etc.

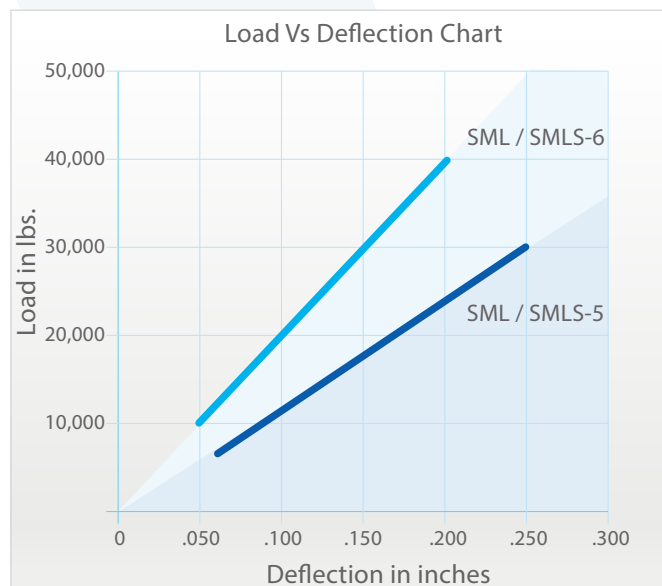
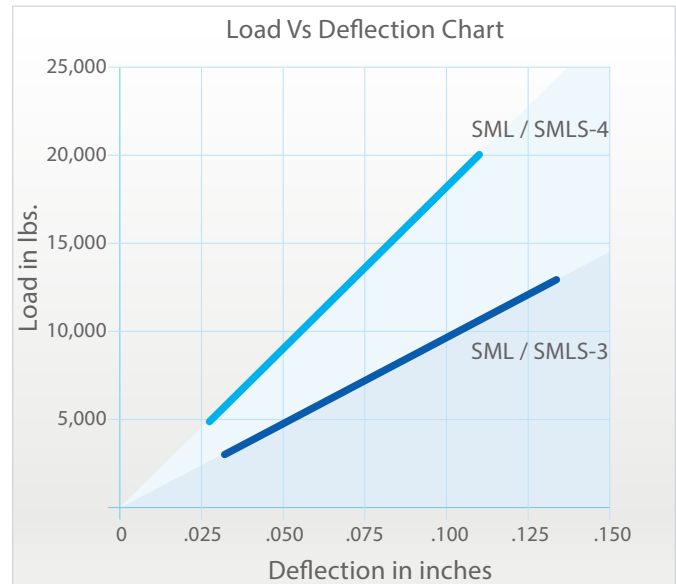
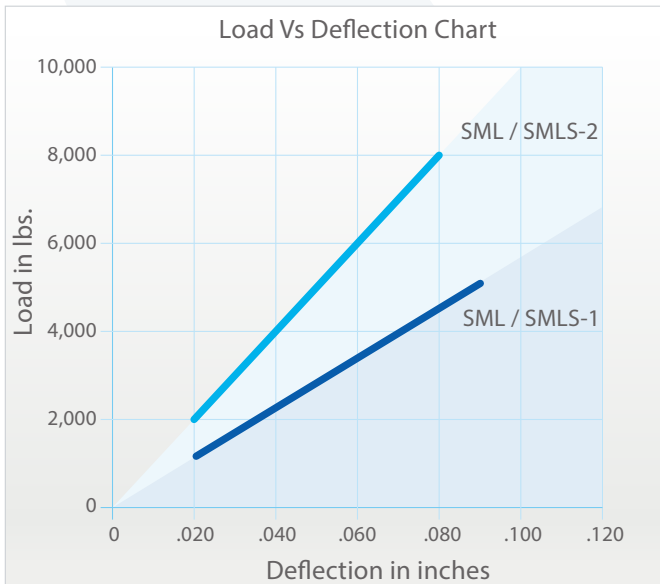
Features:

- ✓ Multi-layer design to reduce deflection of mount under loads.
- ✓ Mounts can withstand shear loads of up to 25% of vertical compression load.
- ✓ Low Height and low shear stiffness.
- ✓ High Dynamic rubber compound and High compressive stiffness.



Model		Maximum Load (lbs)		Mount Dimensions in inches (in)				
Mild Steel	Stainless Steel	Non-Impact	Impact	A	B	H	h	d
SML-1	SMLS-1	5,000	3,500	5-7/8	4-5/8	2	1/4	5/8
SML-2	SMLS-2	8,000	4,000	5-7/8	4-5/8	2	1/4	5/8
SML-3	SMLS-3	13,000	9,000	8-3/4	7-3/8	3-1/4	3/8	3/4
SML-4	SMLS-4	20,000	10,000	8-3/4	7-3/8	3-1/4	3/8	3/4
SML-5	SMLS-5	30,000	15,000	12-1/4	10-5/8	4-3/4	3/8	7/8
SML-6	SMLS-6	40,000	20,000	12-1/4	10-5/8	4-3/4	3/8	7/8

COMPRESSION SHEAR MOUNTS



Optional Materials:

- For marine, offshore, and other corrosive environments mounts are made of 316L stainless steel and EPDM compound.
- For food, pharmaceutical, and hygiene critical applications mounts are made of 304 stainless steel and food grade rubber compounds.
- Contact Vibrasystems Inc technical department for optimal material selection.