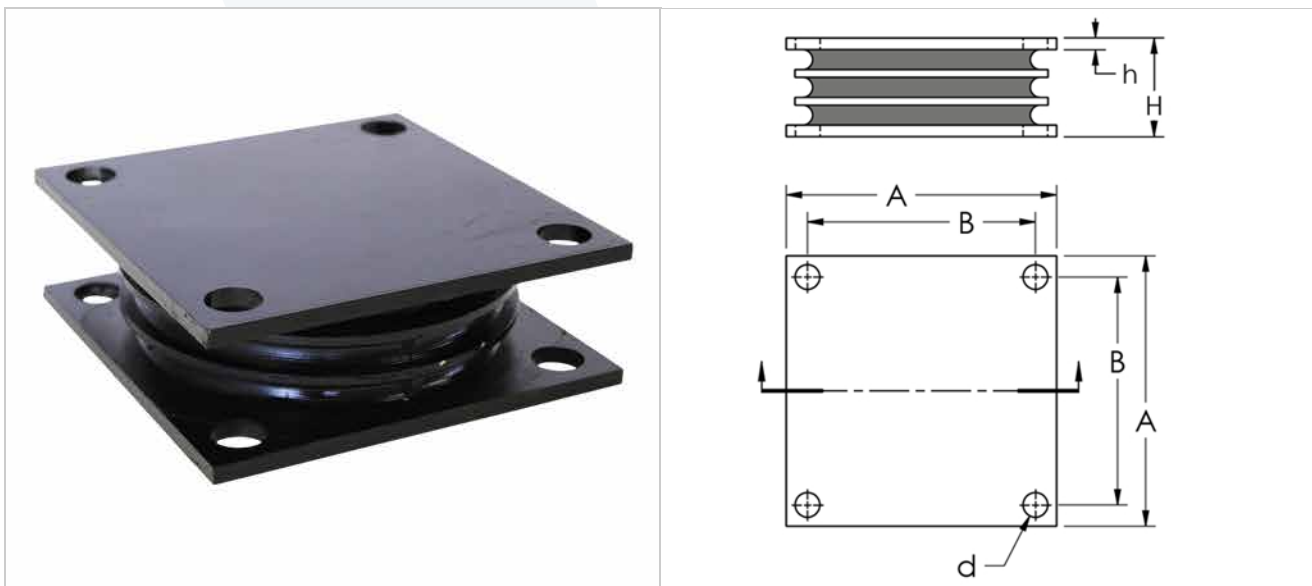


SML/SMLS -Series

SML/SMLS multi-layer mount is made of a rubber elastomer compound securely bonded with 4 metal plates. Both upper and lower plates have four equipment mounting holes. This design reduces deflection under vertical load with increased stability when horizontal forces are applied. Two mounts can be stacked to provide additional deflection under vertical loads, which considerably reduces maximum allowable shear force.



Recommended for:

Heavy-duty industrial equipment, steel mills, screens shakers, crushers, horizontal injection molding systems, construction system supports.

Model		Maximum Load (lbs)		Mount Dimensions (in)				
Mild Steel	Stainless Steel	Non-Impact	Impact	A	B	H	h	d
SML-1	SMLS-1	5000	3500	5-7/8	4-5/8	2	1/4	5/8
SML-2	SMLS-2	8000	4000	5-7/8	4-5/8	2	1/4	5/8
SML-3	SMLS-3	13000	9000	8-3/4	7-3/8	3-1/4	3/8	3/4
SML-4	SMLS-4	20000	10000	8-3/4	7-3/8	3-1/4	3/8	3/4

Note: Maximum shear force (in non-stacked configuration) must not exceed 40% of vertical load, only in combination with vertical load.

Optional Materials:

- For marine, offshore, and other corrosive environments mounts are made of 316L stainless steel and EPDM compound.
- For food, pharmaceutical, and hygiene critical applications mounts are made of 304 stainless steel and food grade rubber compounds.
- Contact Vibrasystems Inc technical department for optimal material selection.

