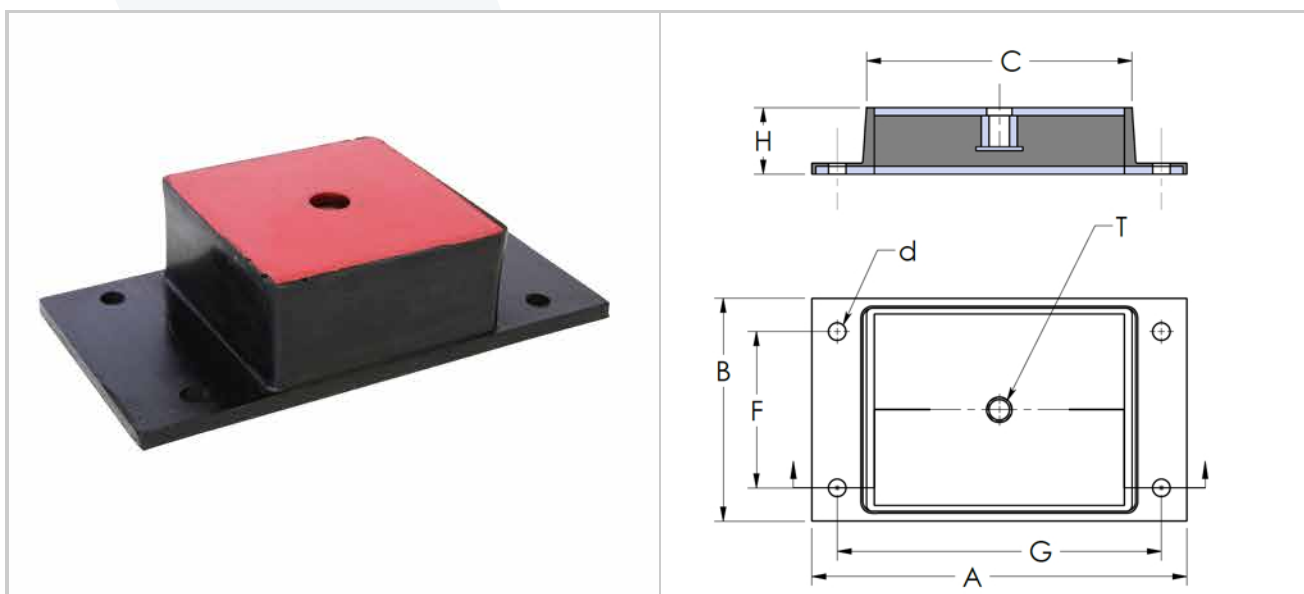


VTM/VTMS-Series

VTM & VTMS compression shear mounts are designed for heavy duty applications where shear loads could be up to 30% of maximum load in combination with vertical load.



Features:

- ✓ Low installation height provides better stability under lateral loads.
- ✓ Effectively isolates machine vibration and shock loads from transferring to the floor.
- ✓ Available in stainless steel for marine, food/pharmaceutical applications and other corrosive environments.

Recommended for:

Presses, blowers, pumps, engines, vibrators, rolling mills, crushers, transformers, injection molding machines, surface grinders and similar equipment.

Model		Maximum Load (lbs)		Mount Dimensions (in)							
Mild Steel	Stainless Steel	Non-Impact	Impact	A	B	C	F	G	H	d	T
VTM-2	VTMS-2	2000	1200	8	4	4	3	6	2	3/8	1/2-13
VTM-3	VTMS-3	3000	1800	8	4	4	3	6	2	3/8	1/2-13
VTM-5	VTMS-5	5000	3000	8	4	4	3	6	2	3/8	1/2-13
VTM-10	VTMS-10	8000	4000	12	7-1/4	8-1/2	5	10-3/8	2-3/8	9/16	3/4-10
VTM-15	VTMS-15	15000	9000	12	7-1/4	8-1/2	5	10-3/8	2-3/8	9/16	3/4-10

Optional Materials:

- For marine, offshore, and other corrosive environments, mounts are made of 316L stainless steel and EPDM rubber compound.
- For food, pharmaceutical, and hygiene critical applications, mounts are made of 304 stainless steel and food grade rubber compounds.
- Contact Vibrasystems Inc technical department for optimal material selection.

