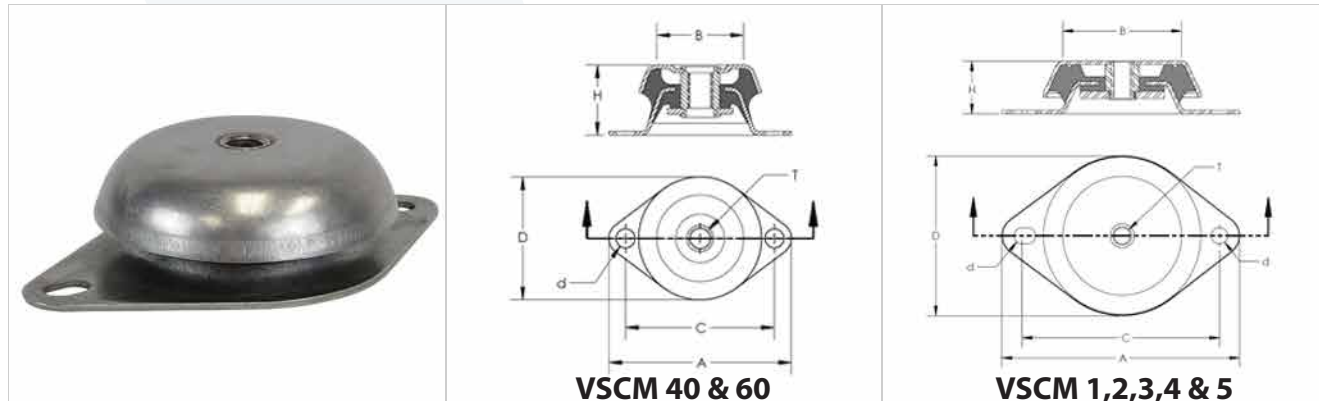


VSCM/CMSS Series Cup Mounts

VSCM/CMSS compression-shear cup/engine mounts provide excellent protection against vibration and shock. Due to each mount's ability to isolate vertical and horizontal forces, they are used in a wide variety of industrial applications.



Features:

- ✓ Allows mild vertical tensile forces.
- ✓ Available in mild steel and stainless steel.
- ✓ Excellent vibration dampening characteristics under vertical compression and shear loads.
- ✓ Cup-shaped top plate protects elastomer from oils, industrial solvents and chemicals.

Recommended for:

Industrial machinery, centrifuges, blowers, transformers, combustion engines, motors, marine equipment, industrial diesel generator sets, pumps, HVAC, factory production equipment, and applications where anchoring is required.

COMPRESSION SHEAR MOUNTS

CUP/ENGINE WITH OVAL BASE

Model		Max load (lbs)		Mount Dimensions (in)						
Plated Steel	Stainless Steel	Non-Impact	Impact	A	B	C	D	H	d	T
VSCM-40	CMSS-40	100	50	3.7	1-7/8	3	2.45	1.35	0.38	M12
VSCM-60	CMSS-60	150	75	3.7	1-7/8	3	2.45	1.35	0.38	M12
VSCM-1	CMSS-1	400	250	6	2-3/4	5	3-5/8	1-3/8	0.39	1/2-13
VSCM-2	CMSS-2	700	450	6	2-3/4	5	3-5/8	1-3/8	0.39	1/2-13
VSCM-3	CMSS-3	1400	900	7-5/8	4	6-3/8	5-3/16	1-11/16	0.55	5/8-11
VSCM-4	CMSS-4	2100	1500	7-5/8	4	6-3/8	5-3/16	1-11/16	0.55	5/8-11
VSCM-5	-	3000	2000	8-1/2	4-7/8	6-7/8	6-1/4	2-1/8	0.55	5/8-11

