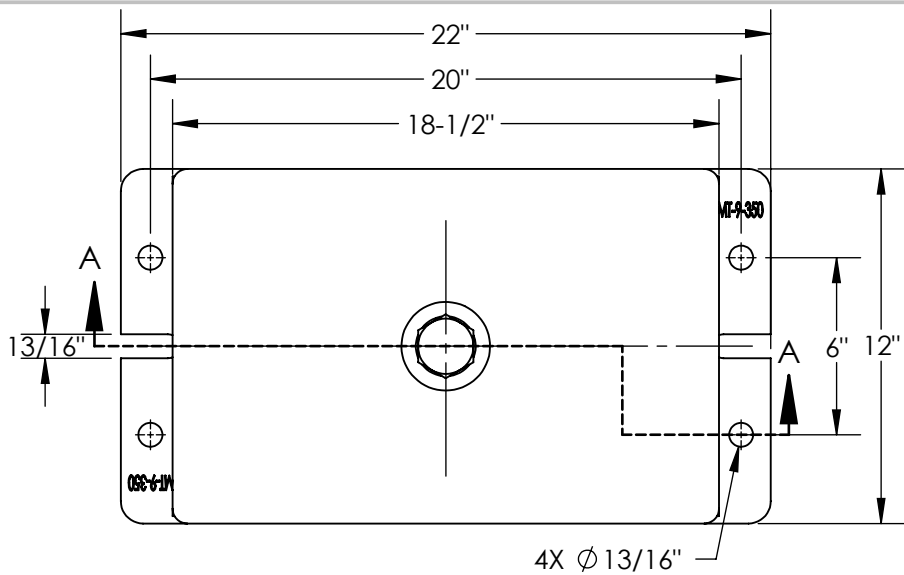


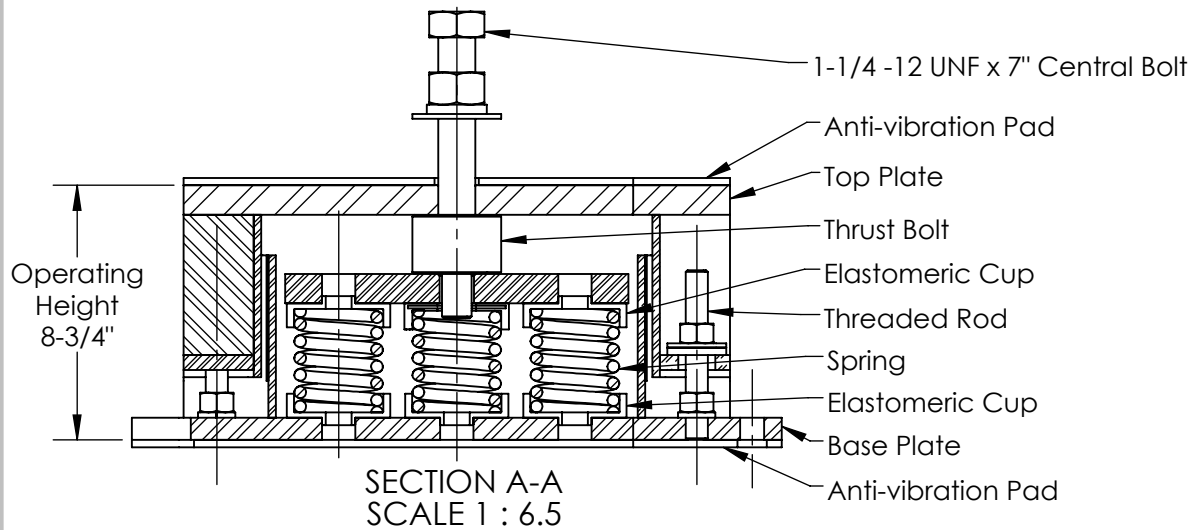
2

1



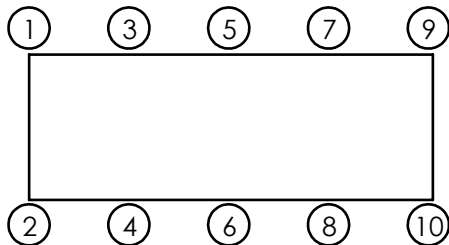
B

B



A

A



2

1

Model	Rated Load at 1.5" Deflection (lbs)	Spring Rate (lbs/in)	Spring Color
SRMT-9-352	1,260	840	Yellow
SRMT-9-354	2,250	1,500	Purple
SRMT-9-354-142	3,465	2,310	Purple/Blue
SRMT-9-356	5,670	3,780	Black
SRMT-9-356-142	6,885	4,590	Black/Blue
SRMT-9-356-175	7,695	5,130	Black/Brown
SRMT-9-356-176	8,370	5,580	Black/Black
SRMT-9-356-144	9,270	6,180	Black/Brown
SRMT-9-356-146	13,320	8,880	Black/Yellow
SRMT-9-356-148	19,170	12,780	Black/Green

Model	Rated Load at 2" Deflection (lbs)	Spring Rate (lbs/in)	Spring Color
SRMT-9-350	720	360	Red
SRMT-9-350-140	1,440	720	Red/Black
SRMT-9-403	3,132	1,566	Black
SRMT-9-404	4,077	2,039	Blue
SRMT-9-405	5,310	2,655	Red
SRMT-9-406	6,084	3,042	Orange
SRMT-9-407	7,083	3,542	Green
SRMT-9-408	8,262	4,131	White
SRMT-9-409	9,000	4,500	Brown
SRMT-9-405-150	11,160	5,580	Red/Grey
SRMT-9-407-150	12,933	6,467	Green/Grey
SRMT-9-409-150	14,850	7,425	Brown/Grey

**Notes:**

1. All dimensions are in inches, interpret per ANSI Y14.
2. Standard finish: Housing - Zinc Bright Plating; Spring - Zinc Bright Plating (Color: see table); Hardware - Zinc-electroplate.
3. All springs at rated loads have 50% additional travel to solid load. Safety factor - Springs will accommodate 50% extra load from rated load to solid load.
- 4.

Isolator Selections			
Pos 1		Pos 2	
Pos 3		Pos 4	
Pos 5		Pos 6	
Pos 7		Pos 8	
Pos 9		Pos 10	

**VibraSystems Inc**  
 www.vibrasystems.com  
 email: info@vibrasystems.com

**INSTALLATION INSTRUCTIONS**

SCALE: None	MODEL: SRMT-9-350	SHEET 1 OF 2	REV A
-------------	-------------------	--------------	-------

1. Check each isolator's model number ("A") against the information on the packing slip, before beginning installation.
2. Secure the isolator to the equipment support structure - concrete foundation or metal frame, according to the equipment base's drawings for the locations of the mounting holes ("B").
  - 2.1. If the isolator is installed on a concrete foundation, use sets of seismically rated concrete anchors and follow the general anchor installation instructions with the required torque value on the anchor's nut.
  - 2.2. If the isolator is installed on a metal base, use grade 5 or better hardware to secure the isolator to the support base. Welding to steel base is permitted provided the weld achieves the required strength. Remove the rubber pad ("P") before welding.
  - 2.3. Vibrasystems Inc. recommends that all the isolators are installed on a level surface.

3. Use a forklift, crane or any other certified lifting machine to raise the equipment to be installed. Slowly lower the equipment on top of the isolators and make sure that equipment base's holes perfectly aligned with the threaded hole on the isolator's top plate ("D").

4. Make sure that the isolator's central bolt ("L") properly fit through the holes in the base of the equipment and into the threaded hole on the isolator's top plates ("D"). Central bolt must have a flat washer ("N"), a spring washer ("M"), and a hexagon nut ("K") underneath the head of the central bolt ("L"). Welding to steel base is permitted provided the weld achieves the required strength. Remove the rubber pad ("S") before welding.

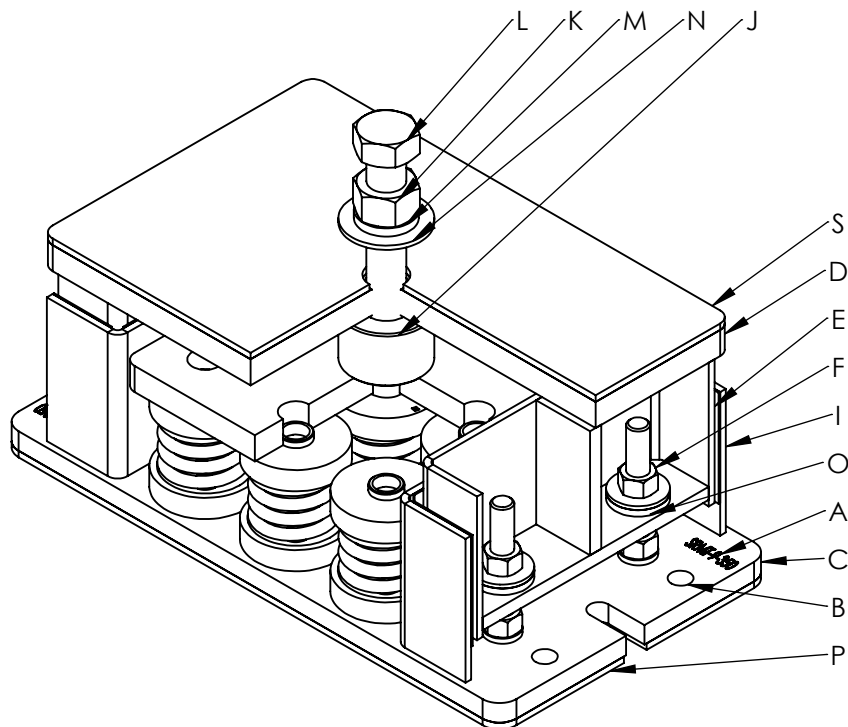
5. When the equipment, which must be at the full operating weight, is placed onto the isolators, the isolator's spring will be compressed under the load according to the Load VS. Deflection chart for this isolator model. The inside channels ("E") will slide down along the outside channels ("I") of the isolator's base ("C") under the weight of the equipment.

6. Turn the central bolt ("L") clockwise until it touches the bottom of the thrust bolt ("J").

7. Level each isolator in sequence by turning adjusting bolt ("L") a full clockwise turn at a time. Repeat this procedure on all isolators, one at a time. After the leveling is done, run down the nut ("K"), the spring washer ("M") and the flat washer ("N") to secure the equipment to the isolator's top plate ("D").

8. Adjust the nuts ("F") to allow a free movement of the installed equipment at all mounting points, with an allowed gap of 1/4" ("H") - see sheet 1 of 2. All side lock nuts ("F") have plastic inserts to prevent them from moving on the threaded rods ("O").

9. Installation is complete.



<b>VibraSystems Inc</b>			
www.vibrasystems.com email: info@vibrasystems.com			
<b>INSTALLATION INSTRUCTIONS</b>			
SCALE:	MODEL:	SHEET 2 OF 2	REV
None	SRMT-9-350		A