

## SEISMIC RESTRAINED SPRING MOUNTS

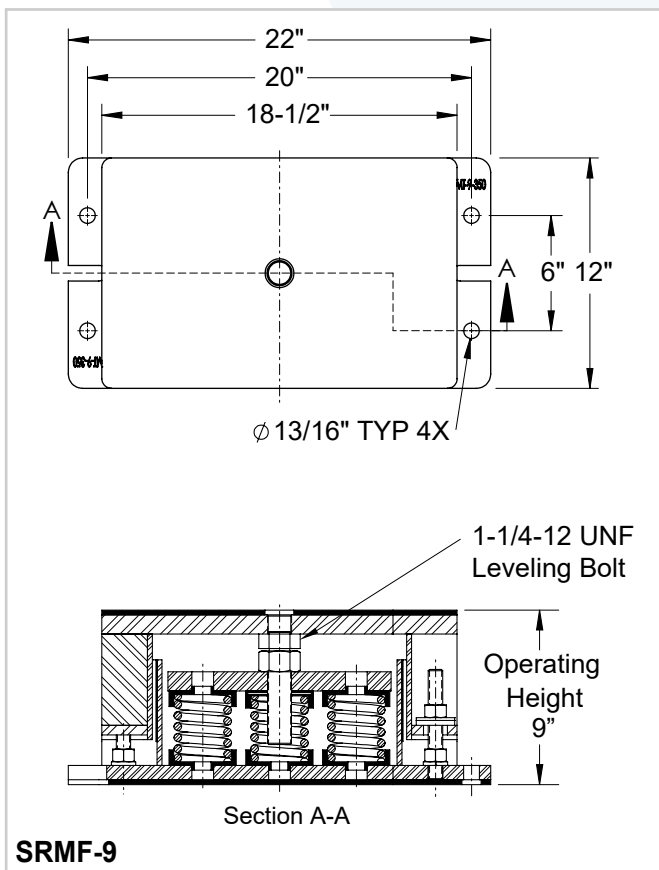
2" and 3" spring deflection models **SRMT-9** (top levelling bolt) and models **SRMF-9** (flat top with built-in levelling feature) are heavy-duty Seismic Restrained Spring Mounts - Snubbers Combination. The uniquely innovative design incorporates interlocking top and bottom steel channels, which restrict the movement (snubbers effect) in all horizontal directions under lateral forces. Rubber lining inside bottom metal channels prevents metal-to-metal contact.



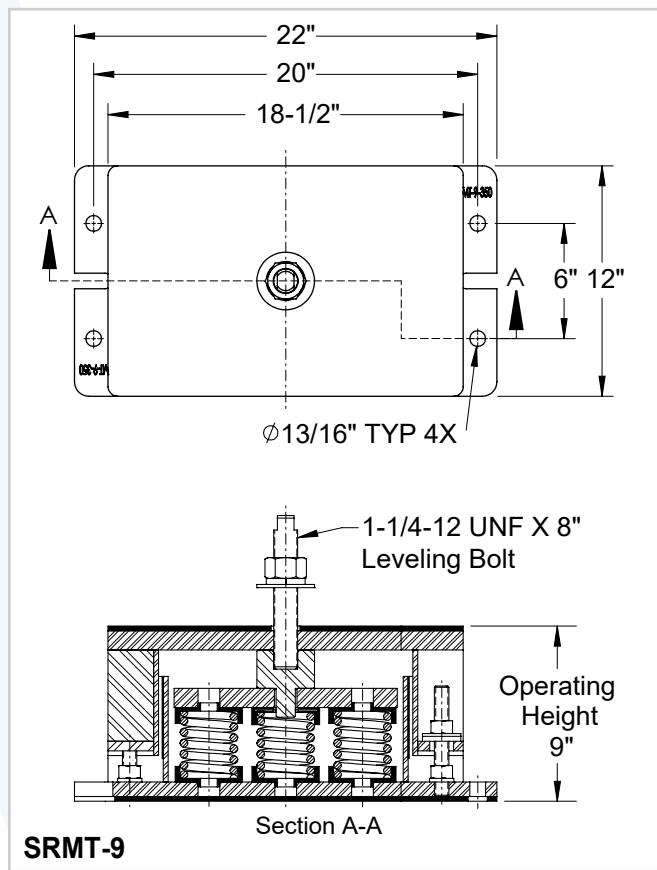
SRMT-9

### Recommended for:

HVAC equipment, fan air circulation systems, compressors, pumps, chillers, AC units, cooling towers, inertia bases, etc.



SRMF-9



SRMT-9

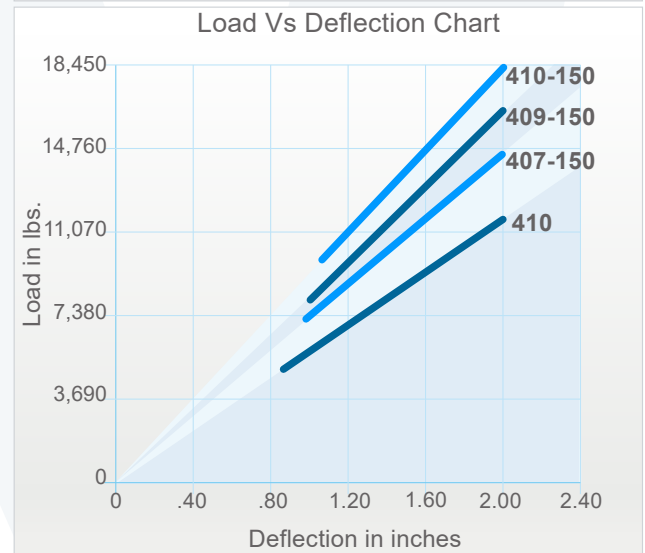
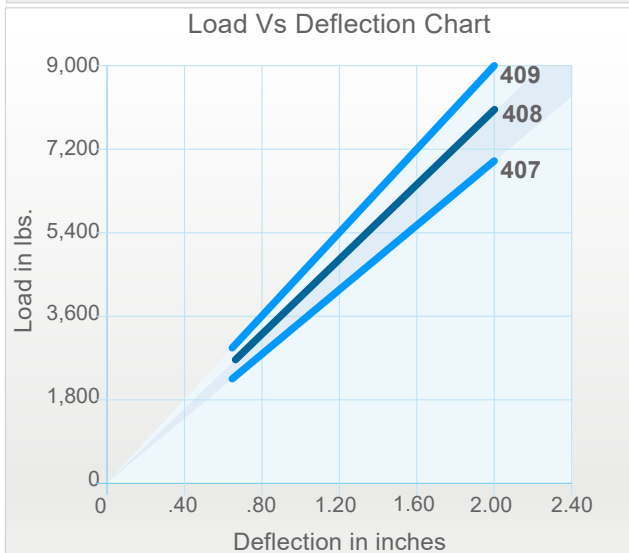
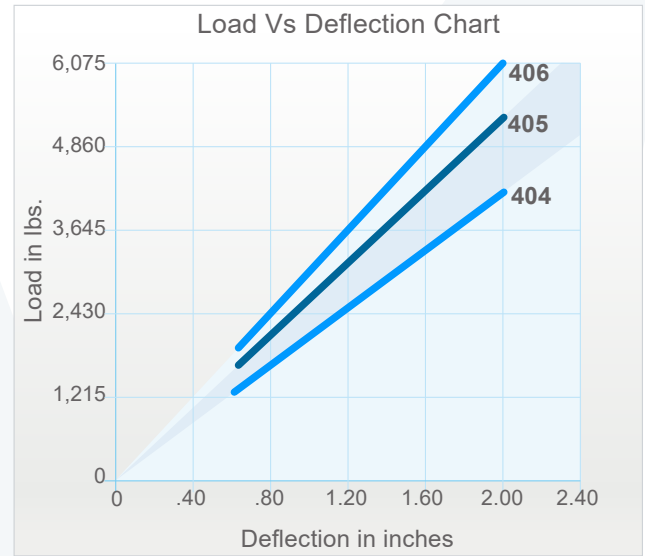
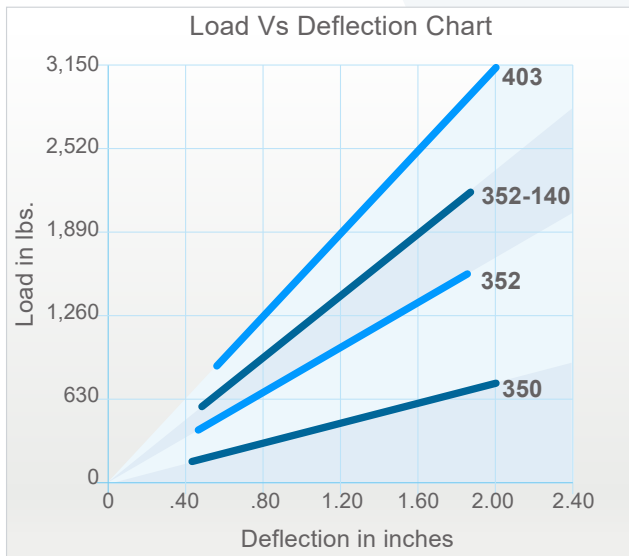
### Features:

- ✓ Safety Factor - Springs will accommodate 50% extra load from rated load to solid load.
- ✓ All mounts' elements are safe at solid load.
- ✓ Interlocking steel channels restrict the movements (snubbers) in all horizontal directions.
- ✓ Rubber lining inside bottom metal channels prevents metal-to-metal contact.
- ✓ Zinc plates housings and springs provide good corrosion resistance.
- ✓ Elastomer spring base cap provides better vibration isolation, load distribution and noise reduction.
- ✓ Springs are color coded and easily replaceable.
- ✓ Anti-skid rubber acoustical pad.

## 2" DEFLECTION SEISMIC RESTRAINED SPRING MOUNTS

Model	Rated Load (lbs)	Deflection at Rated Load (lin)	Spring Rate (lbs/in)	Spring Color
SRM-9-350	720	2	360	Red
SRM-9-352	1,620	1.8	900	Plated
SRM-9-352-140	2,250	1.8	1,250	Plated/Black
SRM-9-403	3,132	2	1,566	Black
SRM-9-404	4,077	2	2,039	Blue
SRM-9-405	5,310	2	2,655	Red
SRM-9-406	6,084	2	3,042	Orange
SRM-9-407	7,083	2	3,542	Green
SRM-9-408	8,262	2	4,131	White
SRM-9-409	9,000	2	4,500	Brown
SRM-9-410	11,250	2	5,625	White
SRM-9-407-150	14,283	2	7,141	Green/Grey
SRM-9-409-150	16,200	2	8,100	Brown/Grey
SRM-9-410-150	18,450	2	9,225	White/Grey

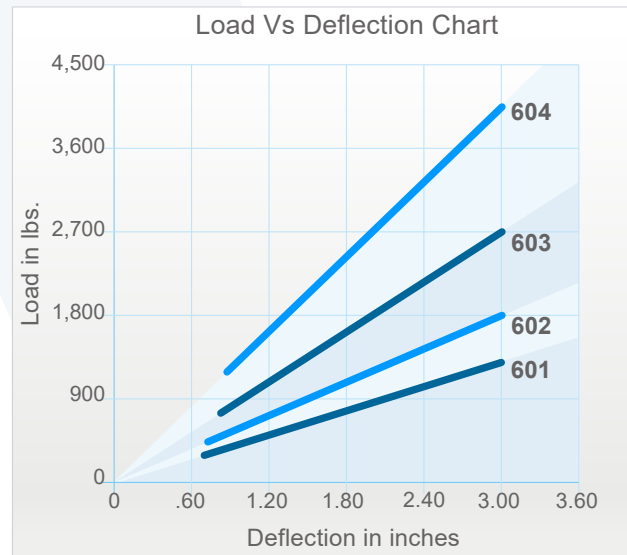
Models are available in two configurations: SRMF-9, and SRMT-9.



## 3" DEFLECTION SEISMIC RESTRAINED SPRING MOUNTS

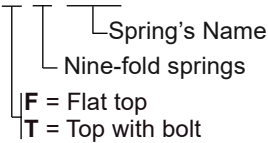
Model	Rated Load (lbs)	Deflection at Rated Load (lin)	Spring Rate (lbs/in)	Spring Color
SRM-9-601	1,260	3	420	Blue
SRM-9-602	1,800	3	600	Yellow
SRM-9-603	2,700	3	900	Orange
SRM-9-604	4,050	3	1,350	Red

Models are available in two configurations: SRMF-9, and SRMT-9.



### Model nomenclature:

SRMT-9-410



### Notes:

- 350 Spring: 3" Outside diameter x 5" Free Length.
- 140 Spring & 170 Spring: 2" Outside diameter x 5" Free Length.
- 400 Spring: 3" Outside diameter x 5.75" Free Length.
- 150 Spring: 2" Outside diameter x 5.75" Free Length.
- 600 Spring: 3" Outside diameter x 6.75" Free Length
- Rated load is the maximum load recommended.