

## 1", 2", & 3" DEFLECTION SEISMIC RESTRAINED CERTIFIED SPRING MOUNT/SNUBBER

The models **SRMT-4** (top levelling bolt) and **SRMF-4** (flat top with built-in levelling feature) are heavy-duty Seismic Restrained Certified Spring Mounts - Snubbers Combination. The uniquely innovative design incorporates interlocking top and bottom steel channels, which restrict the movement (snubbers effect) in all horizontal directions under lateral forces. Rubber lining inside bottom metal channels prevents metal-to-metal contact. **Vibrasystems Inc. isolators are tested and certified to ASHRAE 171-2017 for wind and seismic load resistance.**

### Recommended for:

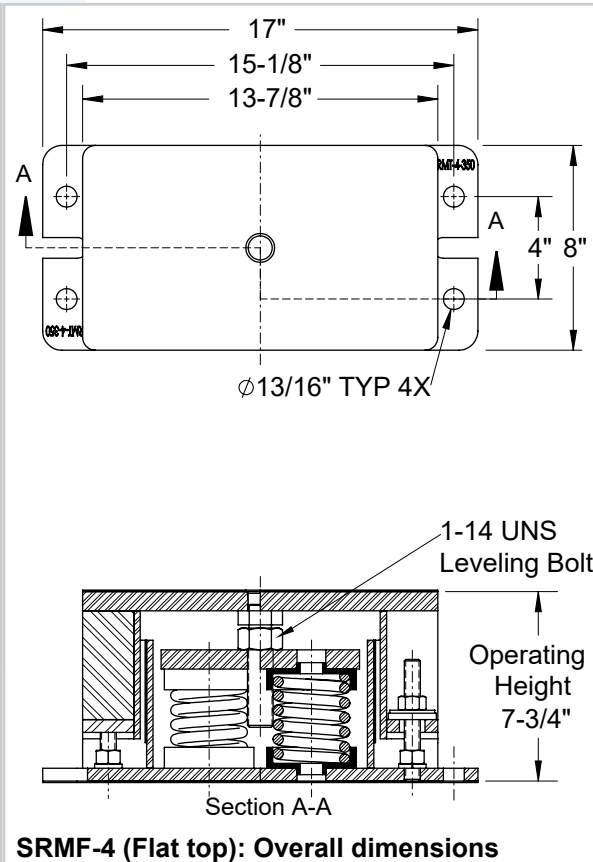
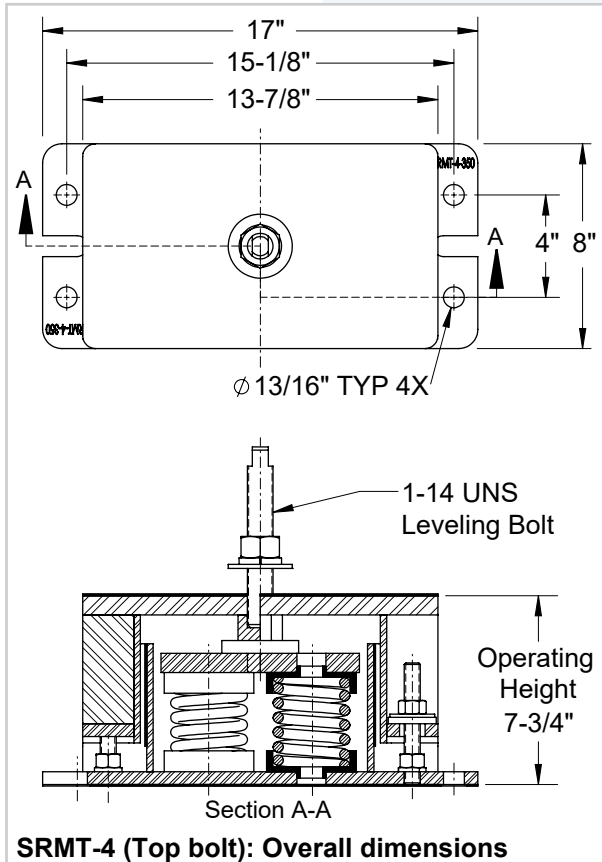
HVAC equipment, engine-generators (gensets), fan air circulation systems, compressors, pumps, chillers, AC units, cooling towers, inertia bases, etc.



SRMF-4



SRMT-4



Tested & Certified to:  
**ASHRAE 171-2017**  
Wind & Seismic  
Load Resistance

**TRU**  
COMPLIANCE

LISTED

1701502-CR-001

Manufactured by:  
**Vv VibraSystems Inc.**

### Features:

- ✓ Safety Factor: Springs will accommodate an additional 50% load from the rated load to the solid load.
- ✓ All spring mounts' elements are safe at solid load.
- ✓ Interlocking steel channels restrict the movements (snubbers) in all horizontal directions.
- ✓ Rubber lining inside metal channels prevents metal-to-metal contact.
- ✓ Zinc-plating housing and powder-coating springs provide excellent corrosion resistance.
- ✓ Acoustic elastomer spring cups provide superior vibration isolation and noise reduction.
- ✓ Springs are color-coded and easily replaceable.
- ✓ Now tested and certified to: **ASHRAE 171-2017 for wind and seismic load resistance.**

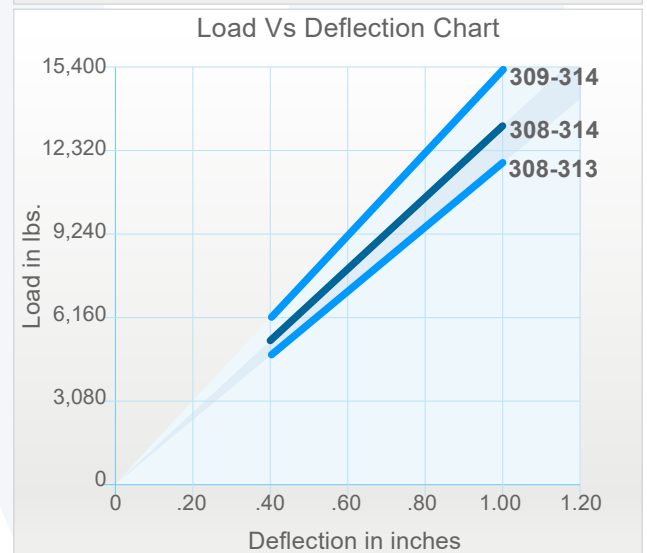
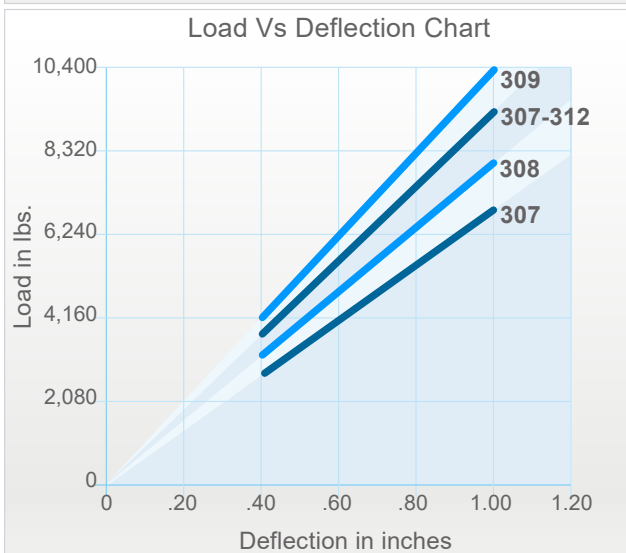
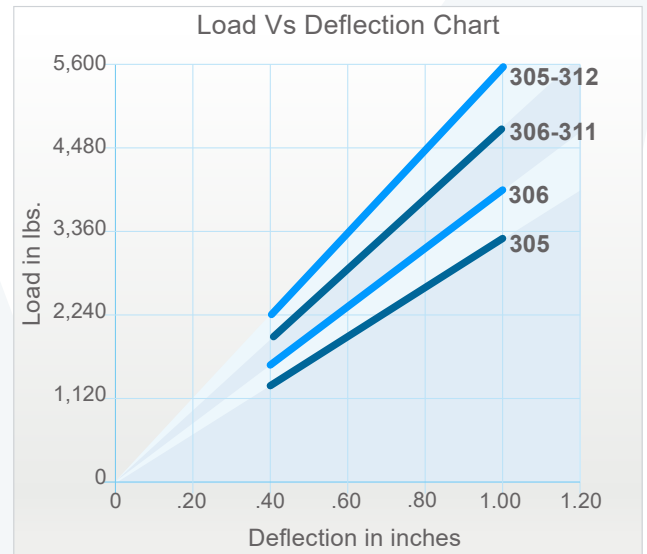
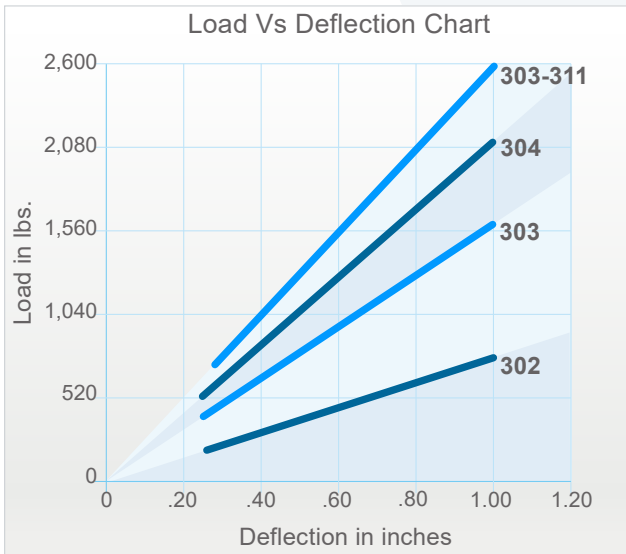
Tested & Certified to:  
ANSI/ASHRAE 171-2017

Wind & Seismic Maximum Vertical Load Resistance: 40,670 lbs  
Wind & Seismic Maximum Horizontal Load Resistance: 8,100 lbs

## 1" DEFLECTION SEISMIC RESTRAINED CERTIFIED SPRING MOUNT/SNUBBER

Model	Rated Load (lbs)	Deflection at Rated Load (lin)	Spring Rate (lbs/in)	Spring Color	Ship. Weight (lbs)
SRM-4-302	780	1	780	Yellow	91
SRM-4-303	1,600	1	1,600	Orange	91
SRM-4-304	2,120	1	2,120	Red	91
SRM-4-303-311	2,600	1	2,600	Orange/Green	95
SRM-4-305	3,300	1	3,300	White	91
SRM-4-306	4,000	1	4,000	Brown	91
SRM-4-306-311	4,800	1	4,800	Brown/Green	95
SRM-4-305-312	5,600	1	5,600	White/Yellow	95
SRM-4-307	6,800	1	6,800	Green	91
SRM-4-308	8,000	1	8,000	Black	91
SRM-4-307-312	9,320	1	9,320	Green/Yellow	95
SRM-4-309	10,400	1	10,400	Blue	91
SRM-4-308-313	11,960	1	11,960	Black/Orange	95
SRM-4-308-314	13,000	1	13,000	Black/Grey	95
SRM-4-309-314	15,400	1	15,400	Blue/Grey	95

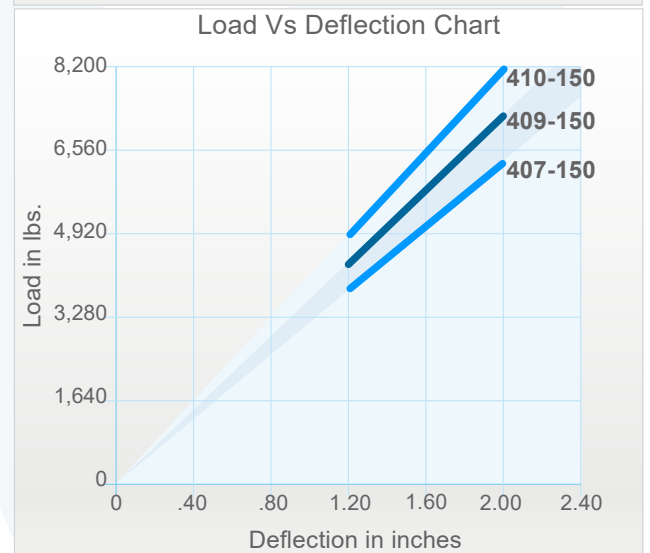
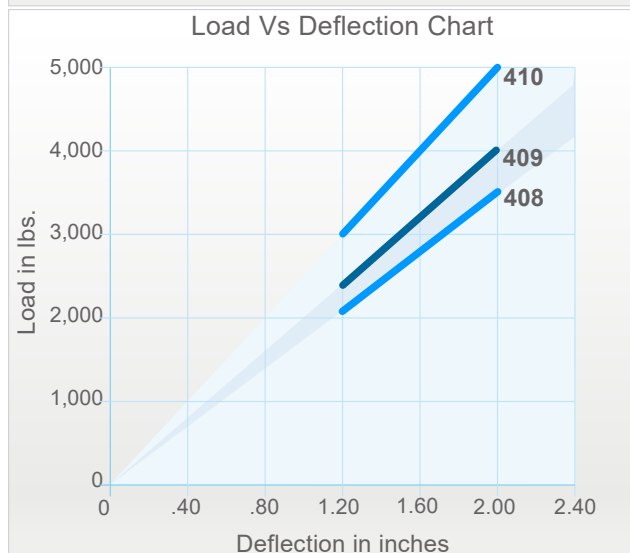
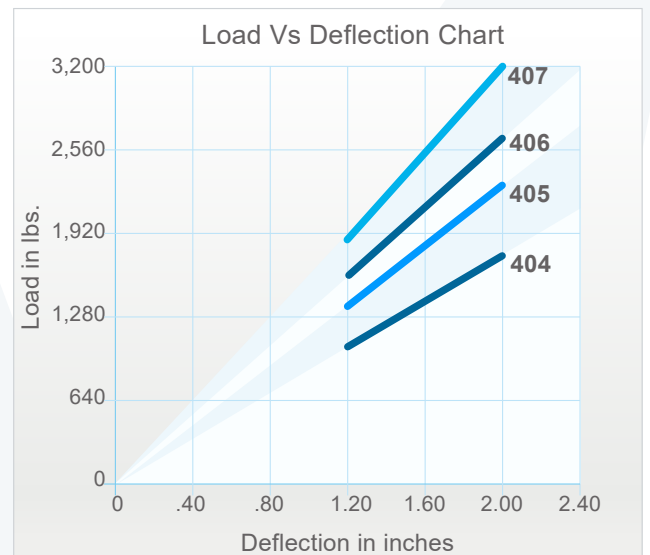
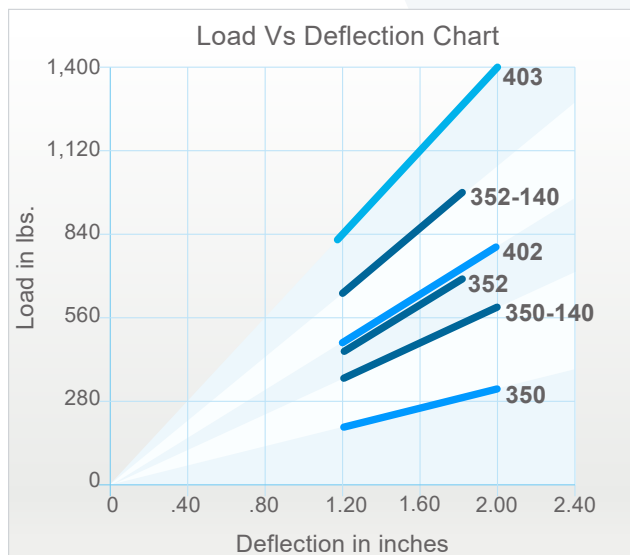
Models are available in two configurations: SRMF-4 (flat top), and SRMT-4 (top bolt).



## 2" DEFLECTION SEISMIC RESTRAINED CERTIFIED SPRING MOUNT/SNUBBER

Model	Rated Load (lbs)	Deflection at Rated Load (lin)	Spring Rate (lbs/in)	Spring Color	Ship. Weight (lbs)
SRM-4-350	320	2	160	Plated	92
SRM-4-350-140	600	2	300	Plated/Plated	94
SRM-4-352	720	1.8	400	Plated	92
SRM-4-402	800	2	400	Grey	92
SRM-4-352-140	1,000	1.8	555	Plated/Plated	94
SRM-4-403	1,392	2	696	Black	92
SRM-4-404	1,812	2	906	Blue	92
SRM-4-405	2,360	2	1,180	Red	92
SRM-4-406	2,704	2	1,352	Orange	92
SRM-4-407	3,148	2	1,574	Green	92
SRM-4-408	3,672	2	1,836	White	92
SRM-4-409	4,000	2	2,000	Brown	92
SRM-4-410	5,000	2	2,500	Yellow	92
SRM-4-407-150	6,348	2	3,174	Green/Grey	96
SRM-4-409-150	7,200	2	3,600	Brown/Grey	96
SRM-4-410-150	8,200	2	4,100	Yellow/Grey	96

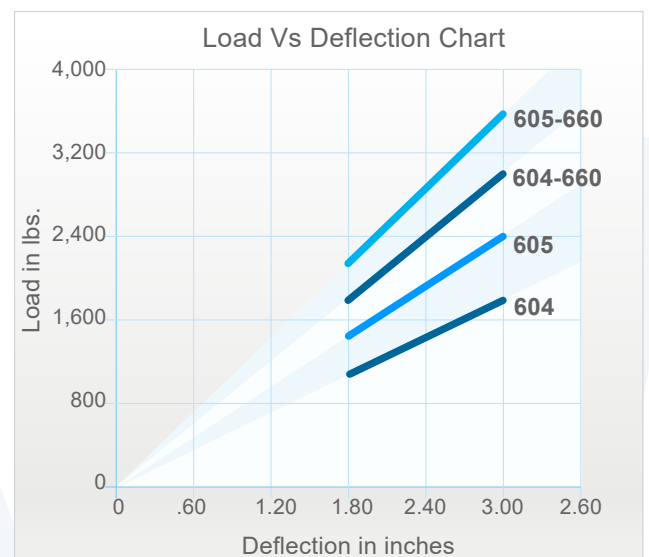
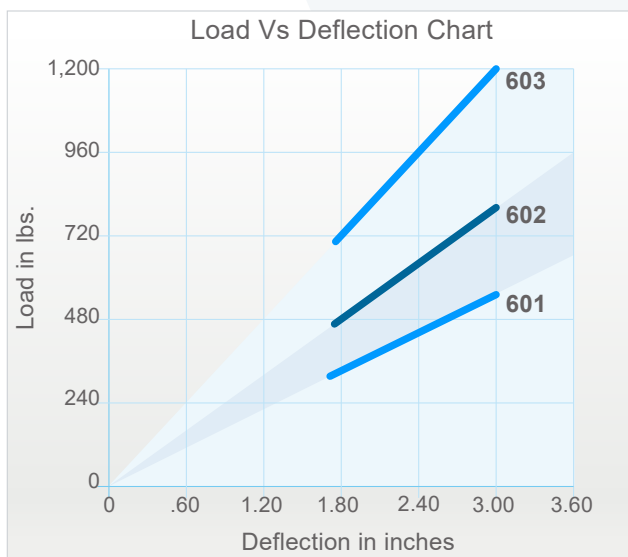
Models are available in two configurations: SRMF-4 (flat top), and SRMT-4 (top bolt).



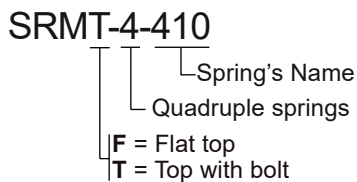
## 3" DEFLECTION SEISMIC RESTRAINED CERTIFIED SPRING MOUNT/SNUBBER

Model	Rated Load (lbs)	Deflection at Rated Load (lin)	Spring Rate (lbs/in)	Spring Color	Ship. Weight (lbs)
SRM-4-601	560	3	186.6	Blue	94
SRM-4-602	800	3	266.6	Yellow	94
SRM-4-603	1,200	3	400	Orange	94
SRM-4-604	1,800	3	600	Red	94
SRM-4-605	2,400	3	800	Green	94
SRM-4-604-660	3,000	3	1,000	Red/Grey	96
SRM-4-605-660	3,600	3	1,200	Green/Grey	96

Models are available in two configurations: SRMF-4 (flat top), and SRMT-4 (top bolt).



### Model nomenclature:



### Notes:

- a) Vibrasystems isolators are tested and certified to ASHRAE 171-2017 for wind and seismic load resistance. Wind and Seismic Certification Compliance Report 1701502-CR-001-R1 is available upon request.
- b) 300 Spring: 3" Outside diameter x 4.75" Free Length.
- c) 310 Spring: 1.75" Outside diameter x 4.75" Free Length.
- d) 400 Spring: 3" Outside diameter x 5.75" Free Length.
- e) 150 Spring: 2" Outside diameter x 5.75" Free Length.
- f) 600 Spring: 3" Outside diameter x 6.75" Free Length
- g) 660 Spring: 2" Outside diameter x 6.75" Free Length
- h) Rated load is the maximum load recommended.