

## 1" & 2" DEFLECTION SEISMIC RESTRAINED SPRING MOUNTS

SRMT/SRMF series mounts are heavy-duty seismic restrained mounts with unique sliding channels designed to withstand lateral loads in combination with vertical loads. Vibrasystems isolators are tested and certified to ASHRAE 171-2017 for wind and seismic load resistance.

There are two available configurations:

SRMF: flat top with an inside leveling adjustment feature

SRMT: bolted top with leveling adjustment feature

### Recommended for:

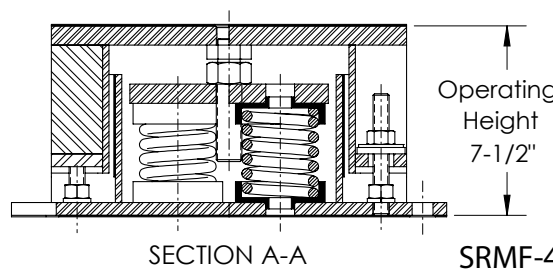
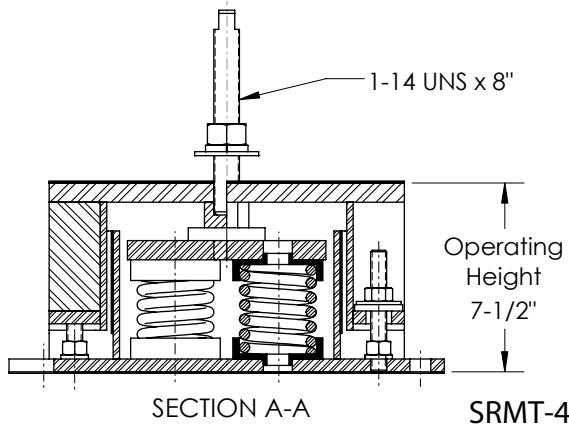
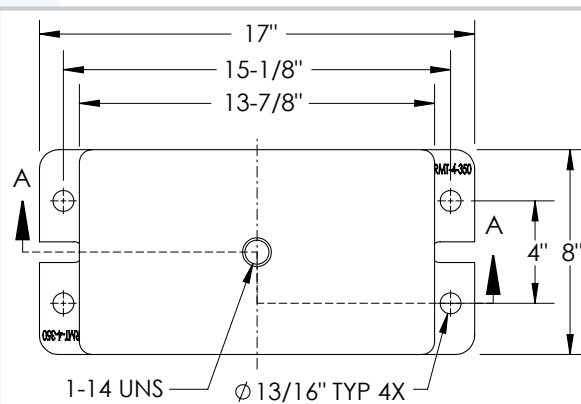
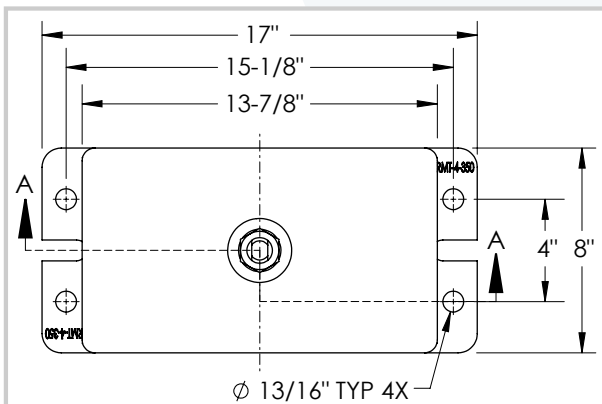
HVAC equipment, fan air circulation systems, compressors, pumps, chillers, AC units, cooling towers, inertia bases, etc.



SRMT-4



SRMF-4

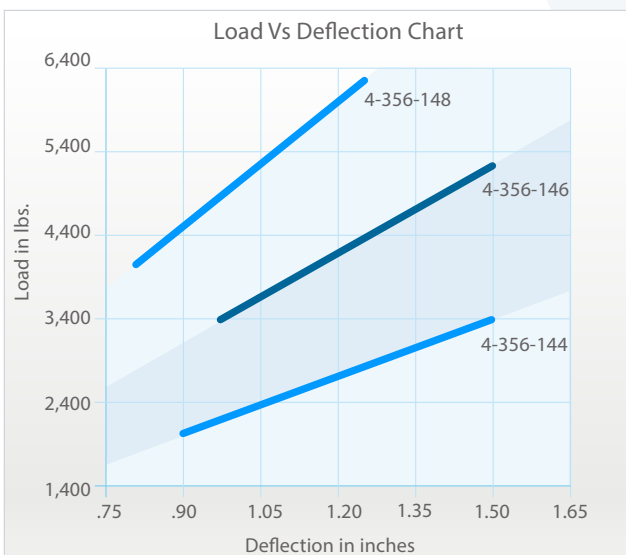
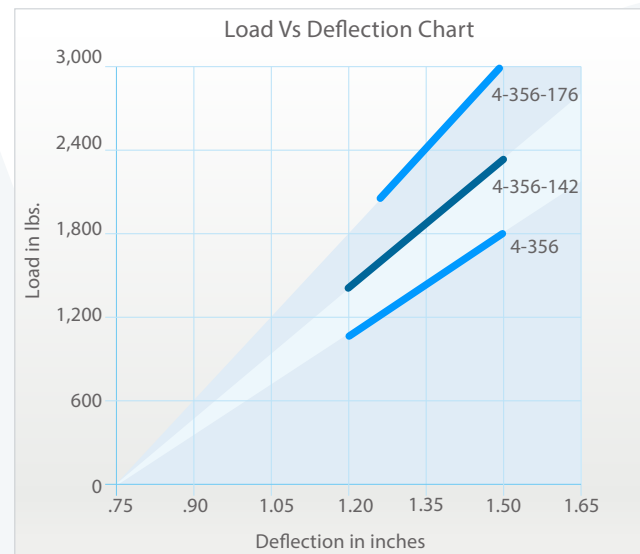
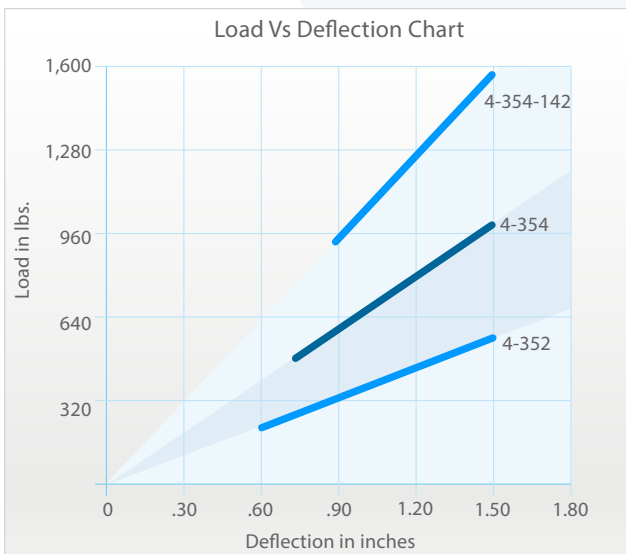


### Features:

- ✓ All springs at rated loads have 50% additional travel to solid load.
- ✓ All mounts' elements are safe at solid load.
- ✓ Safety Factor - Springs will accommodate 50% extra load from rated load to solid load.
- ✓ Recommended load range: from 50% of rated load to rated load.
- ✓ Certified ASHRAE 171-2017.
- ✓ Zinc plates housings and springs provide good corrosion resistance.
- ✓ Elastomer spring base cap provides better vibration isolation, load distribution and noise reduction.
- ✓ Springs are color coded and easily replaceable.
- ✓ Rugged welded steel housing designed to withstand seismic and high wind forces.
- ✓ Anti-skid rubber acoustical pad.

## 1" DEFLECTION SEISMIC RESTRAINED SPRING MOUNTS

Model	Rated Load (lbs)	Deflection at Rated Load (lin)	Spring Rate (lbs/in)	Max. Combined Vertical / Horizontal G Rating	Spring Color	
SRMT-4-352	SRMF-4-352	560	1-1/2	373	40.8	Yellow
SRMT-4-354	SRMF-4-354	1,000	1-1/2	667	22.9	Purple
SRMT-4-354-142	SRMF-4-354-142	1,540	1-1/2	1,027	14.8	Purple/Blue
SRMT-4-356	SRMF-4-356	1,800	1-1/2	1,200	12.7	Black
SRMT-4-356-142	SRMF-4-356-142	2,340	1-1/2	1,560	9.8	Black/Blue
SRMT-4-356-176	SRMF-4-356-176	3,000	1-1/2	2,000	7.6	Black/Black
SRMT-4-356-144	SRMF-4-356-144	3,400	1-1/2	2,267	6.7	Black/Brown
SRMT-4-356-146	SRMF-4-356-146	5,200	1-1/2	3,467	4.4	Black/Yellow
SRMT-4-356-148	SRMF-4-356-148	6,300	1-1/4	5,040	3.6	Black/Green



### Notes:

- Vibrasystems isolators are tested and certified to ASHRAE 171-2017 for wind and seismic load resistance. Wind and Seismic Certification Compliance Report 1701502-CR-001-R1 is available upon request.
- 350 Spring: 3" Outside diameter x 5" Free Length.
- 140 Spring & 170 Spring: 2" Outside diameter x 5" Free Length.
- 400 Spring: 3" Outside diameter x 5.75" Free Length.
- 150 Spring: 2" Outside diameter x 5.75" Free Length.
- Rated load is the maximum load recommended.

## 2" DEFLECTION SEISMIC RESTRAINED SPRING MOUNTS

Model	Rated Load (lbs)	Deflection at Rated Load (lin)	Spring Rate (lbs/in)	Max. Combined Vertical / Horizontal G Rating	Spring Color	
SRMT-4-350	SRMF-4-350	320	2	160	71.4	Red
SRMT-4-350-140	SRMF-4-350-140	640	2	320	35.7	Red/Black
SRMT-4-403	SRMF-4-403	1,392	2	696	16.4	Black
SRMT-4-404	SRMF-4-404	1,812	2	906	12.6	Blue
SRMT-4-405	SRMF-4-405	2,360	2	1,180	9.7	Red
SRMT-4-406	SRMF-4-406	2,704	2	1,352	8.5	Orange
SRMT-4-407	SRMF-4-407	3,148	2	1,574	7.3	Green
SRMT-4-408	SRMF-4-408	3,672	2	1,836	6.2	White
SRMT-4-409	SRMF-4-409	4,000	2	2,000	5.7	Brown
SRMT-4-410	SRMF-4-410	5,000	2	2,500	4.6	White
SRMT-4-407-150	SRMF-4-407-150	5,748	2	2,874	4	Green/Grey
SRMT-4-409-150	SRMF-4-409-150	6,600	2	3,300	3.5	Brown/Grey
SRMT-4-410-150	SRMF-4-410-150	7,600	2	3,800	3	White/Grey

