

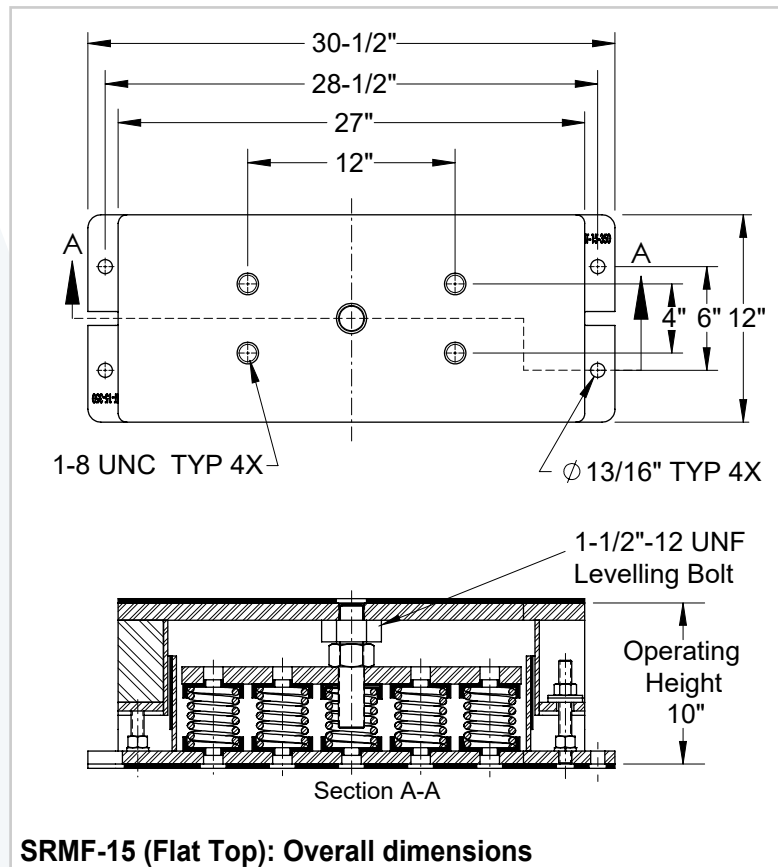
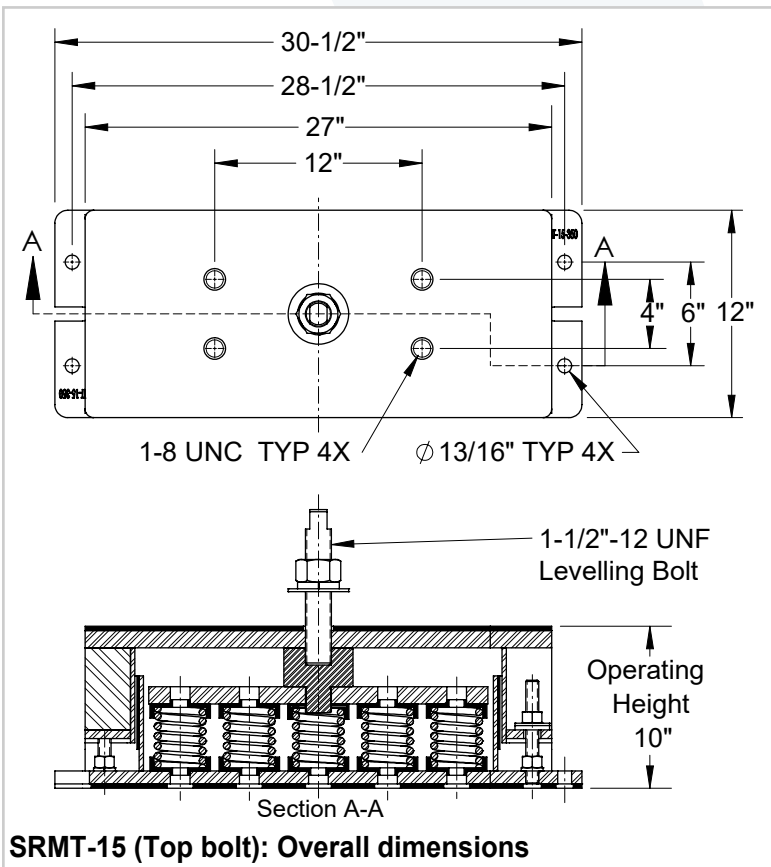
1", 2", & 3" DEFLECTION SEISMIC RESTRAINED SPRING MOUNT/SNUBBER

The models **SRMT-15** (top levelling bolt) and **SRMF-15** (flat top with built-in levelling feature) are heavy-duty Seismic Restrained Spring Mounts - Snubbers Combination. The uniquely innovative design incorporates interlocking top and bottom steel channels, which restrict the movement (snubbers effect) in all horizontal directions under lateral forces. Rubber lining inside bottom metal channels prevents metal-to-metal contact.



Recommended for:

HVAC equipment, engine-generators (gensets), fan air circulation systems, compressors, pumps, chillers, AC units, cooling towers, inertia bases, etc.



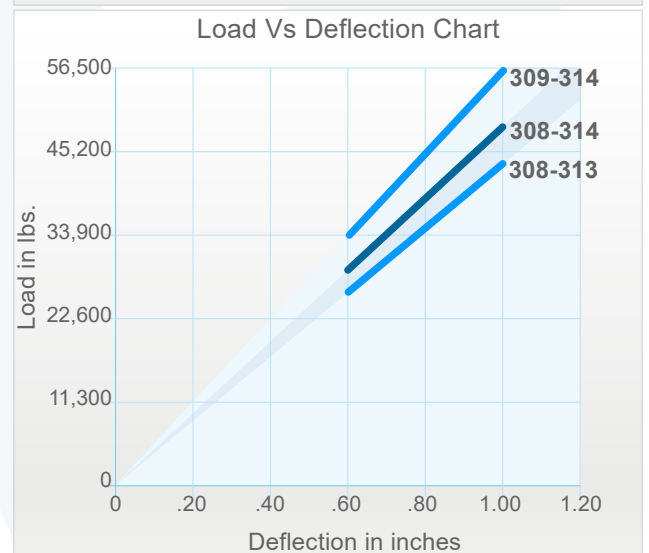
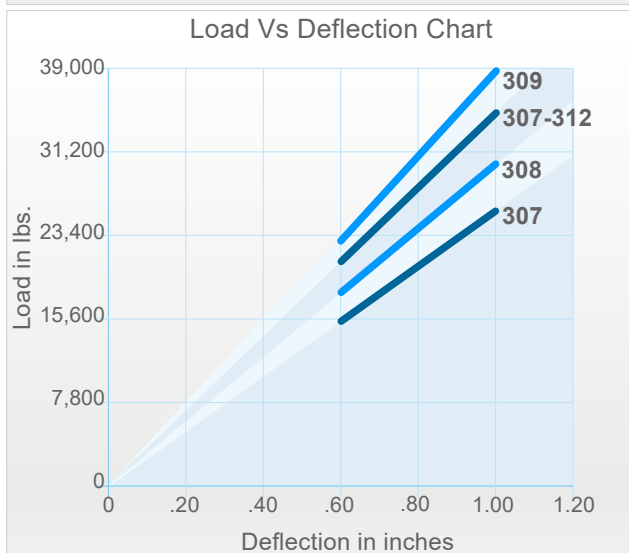
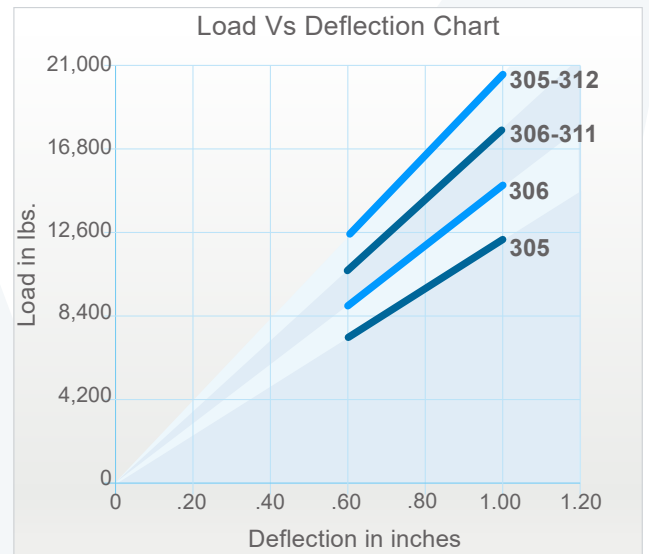
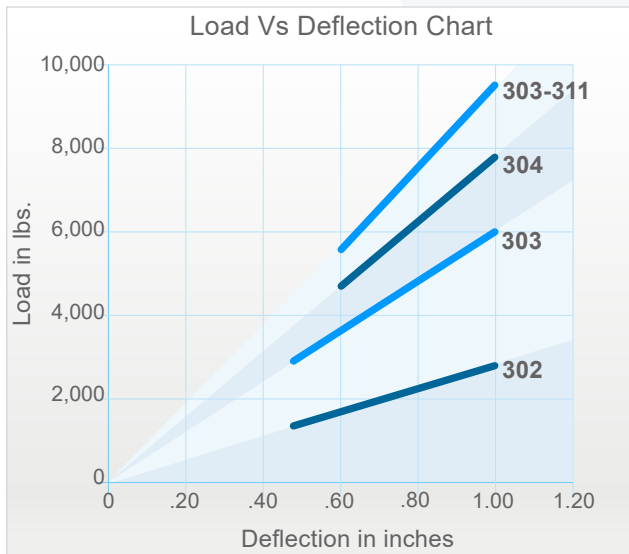
Features:

- ✓ Safety Factor: Springs will accommodate an additional 50% load from the rated load to the solid load.
- ✓ All spring mounts' elements are safe at solid load.
- ✓ Interlocking steel channels restrict the movements (snubbers) in all horizontal directions.
- ✓ Rubber lining inside metal channels prevents metal-to-metal contact.
- ✓ Zinc-plating housing and powder-coating springs provide excellent corrosion resistance.
- ✓ Acoustic elastomer spring cups provide superior vibration isolation and noise reduction.
- ✓ Springs are color-coded and easily replaceable.
- ✓ Anti-skid rubber acoustical pad.

1" DEFLECTION SEISMIC RESTRAINED SPRING MOUNT/SNUBBER

Model	Rated Load (lbs)	Deflection at Rated Load (lin)	Spring Rate (lbs/in)	Spring Color	Ship. Weight (lbs)
SRM-15-302	2,900	1	2,900	Yellow	310
SRM-15-303	6,000	1	6,000	Orange	310
SRM-15-304	7,900	1	7,900	Red	310
SRM-15-303-311	9,600	1	9,600	Orange/Green	320
SRM-15-305	12,300	1	12,300	White	310
SRM-15-306	15,000	1	15,000	Brown	310
SRM-15-306-311	17,800	1	17,800	Brown/Green	320
SRM-15-305-312	20,400	1	20,400	White/Yellow	320
SRM-15-307	25,500	1	25,500	Green	310
SRM-15-308	30,000	1	30,000	Black	310
SRM-15-307-312	34,300	1	34,300	Green/Yellow	320
SRM-15-309	39,000	1	39,000	Blue	310
SRM-15-308-313	43,800	1	43,800	Black/Orange	320
SRM-15-308-314	47,500	1	47,500	Black/Grey	320
SRM-15-309-314	56,500	1	56,500	Blue/Grey	320

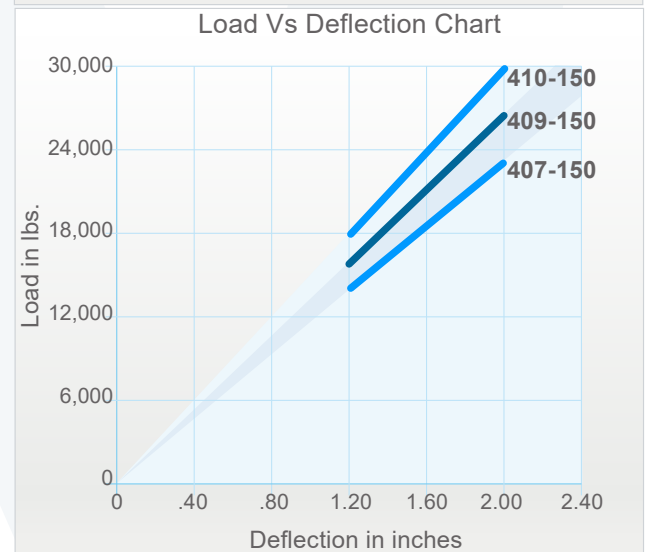
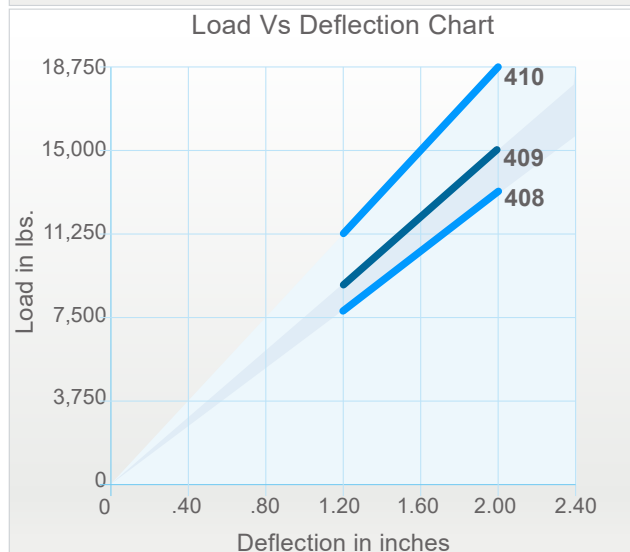
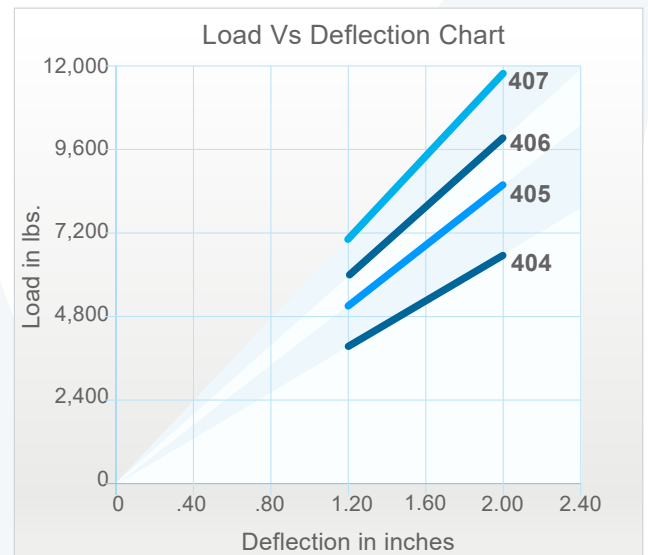
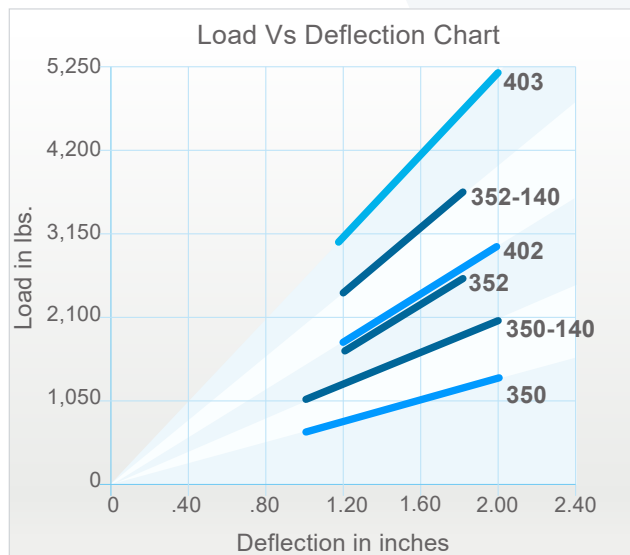
Models are available in two configurations: SRMF-15 (flat top), and SRMT-15 (top bolt).



2" DEFLECTION SEISMIC RESTRAINED SPRING MOUNT/SNUBBER

Model	Rated Load (lbs)	Deflection at Rated Load (lin)	Spring Rate (lbs/in)	Spring Color	Ship. Weight (lbs)
SRM-15-350	1,200	2	600	Plated	320
SRM-15-350-140	2,100	2	1,050	Plated/Plated	340
SRM-15-352	2,700	1.8	1,500	Plated	320
SRM-15-402	3,000	2	1,500	Grey	320
SRM-15-352-140	3,600	1.8	2,000	Plated/Plated	340
SRM-15-403	5,200	2	2,600	Black	320
SRM-15-404	6,800	2	3,400	Blue	320
SRM-15-405	8,800	2	4,400	Red	320
SRM-15-406	10,000	2	5,000	Orange	320
SRM-15-407	11,800	2	5,900	Green	320
SRM-15-408	13,700	2	6,900	White	320
SRM-15-409	15,000	2	7,500	Brown	320
SRM-15-410	18,750	2	9,375	Yellow	320
SRM-15-407-150	23,000	2	11,500	Green/Grey	340
SRM-15-409-150	26,200	2	13,100	Brown/Grey	340
SRM-15-410-150	29,950	2	14,975	Yellow/Grey	340

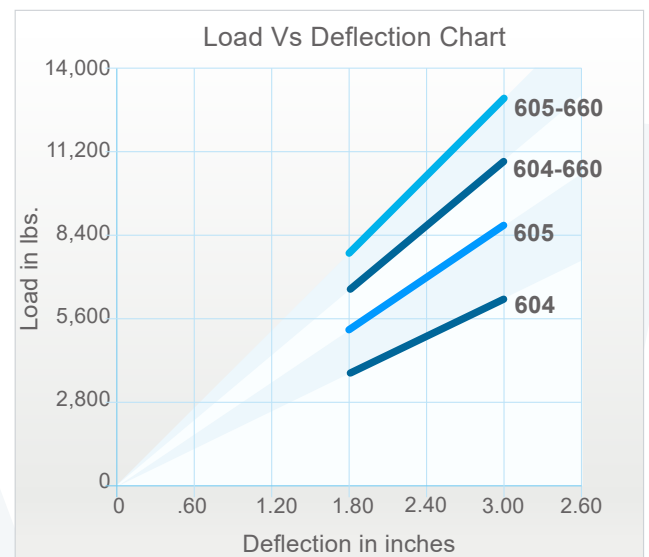
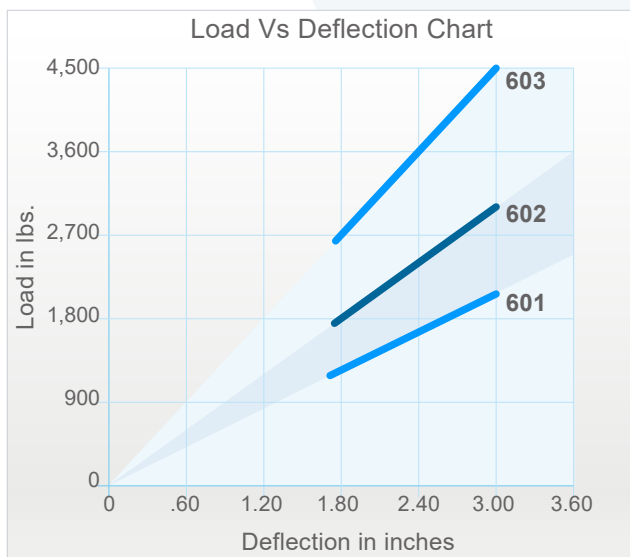
Models are available in two configurations: SRMF-15 (flat top), and SRMT-15 (top bolt).



3" DEFLECTION SEISMIC RESTRAINED SPRING MOUNT/SNUBBER

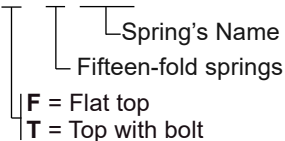
Model	Rated Load (lbs)	Deflection at Rated Load (lin)	Spring Rate (lbs/in)	Spring Color	Ship. Weight (lbs)
SRM-15-601	2,100	3	700	Blue	330
SRM-15-602	3,000	3	1,000	Yellow	330
SRM-15-603	4,500	3	1,500	Orange	330
SRM-15-604	6,750	3	2,250	Red	330
SRM-15-605	9,000	3	3,000	Green	330
SRM-15-604-660	10,950	3	3,650	Red/Grey	340
SRM-15-605-660	13,200	3	4,400	Green/Grey	340

Models are available in two configurations: SRMF-15 (flat top), and SRMT-15 (top bolt).



Model nomenclature:

SRMT-15-410



Notes:

- a) 300 Spring: 3" Outside diameter x 4.75" Free Length.
- b) 310 Spring: 1.75" Outside diameter x 4.75" Free Length.
- c) 400 Spring: 3" Outside diameter x 5.75" Free Length.
- d) 150 Spring: 2" Outside diameter x 5.75" Free Length.
- e) 600 Spring: 3" Outside diameter x 6.75" Free Length
- f) 660 Spring: 2" Outside diameter x 6.75" Free Length
- g) Rated load is the maximum load recommended.