

1", 2", & 3" DEFLECTION SEISMIC RESTRAINED CERTIFIED SPRING MOUNT/SNUBBER

The models **SRMT-1** (top levelling bolt) and **SRMF-1** (flat top with built-in levelling feature) are heavy-duty Seismic Restrained Certified Spring Mounts - Snubbers Combination. The uniquely innovative design incorporates interlocking top and bottom steel channels, which restrict the movement (snubbers effect) in all horizontal directions under lateral forces. Rubber lining inside bottom metal channels prevents metal-to-metal contact. **Vibrasystems Inc. isolators are tested and certified to ASHRAE 171-2017 for wind and seismic load resistance.**

Recommended for:

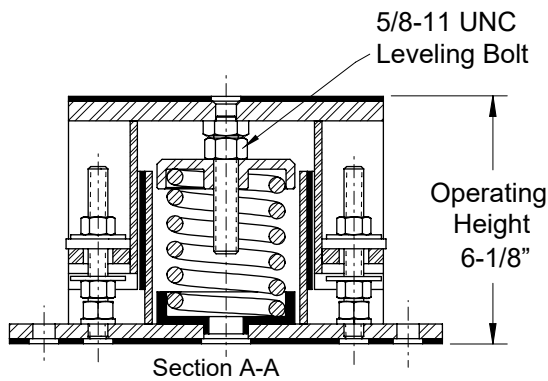
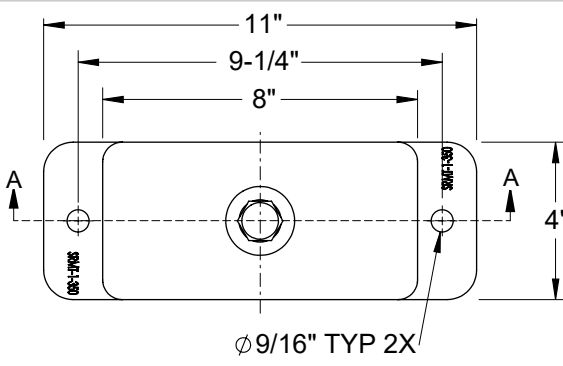
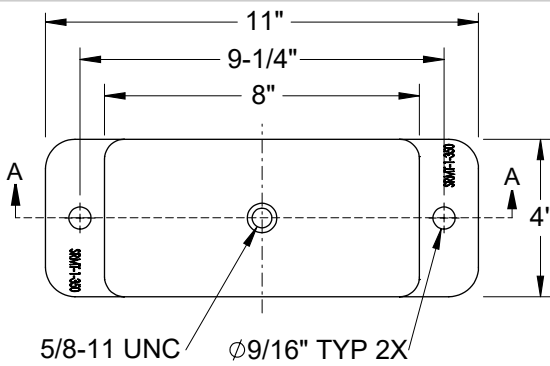
HVAC equipment, engine-generators (gensets), fan air circulation systems, compressors, pumps, chillers, AC units, cooling towers, inertia bases, etc.



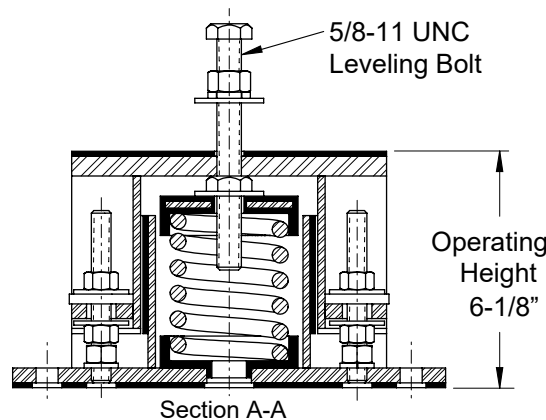
SRMF-1



SRMT-1



SRMT-1 (Top bolt): Overall dimensions



SRMF-1 (Flat top): Overall dimensions

Tested & Certified to:
ASHRAE 171-2017
Wind & Seismic
Load Resistance

TRU
COMPLIANCE

LISTED

1701502-CR-001

Manufactured by:
Vv VibraSystems Inc.

Features:

- ✓ Safety Factor: Springs will accommodate an additional 50% load from the rated load to the solid load.
- ✓ All spring mounts' elements are safe at solid load.
- ✓ Interlocking steel channels restrict the movements (snubbers) in all horizontal directions.
- ✓ Rubber lining inside metal channels prevents metal-to-metal contact.
- ✓ Zinc-plating housing and powder-coating springs provide excellent corrosion resistance.
- ✓ Acoustic elastomer spring cups provide superior vibration isolation and noise reduction.
- ✓ Springs are color-coded and easily replaceable.
- ✓ Now tested and certified to: **ASHRAE 171-2017 for wind and seismic load resistance.**

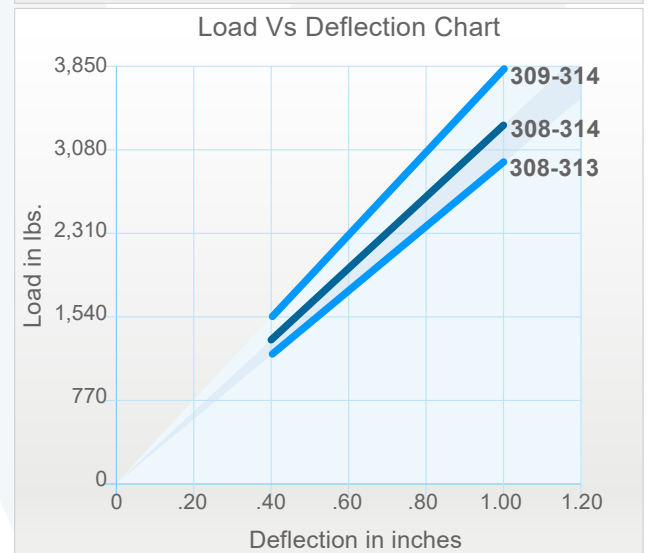
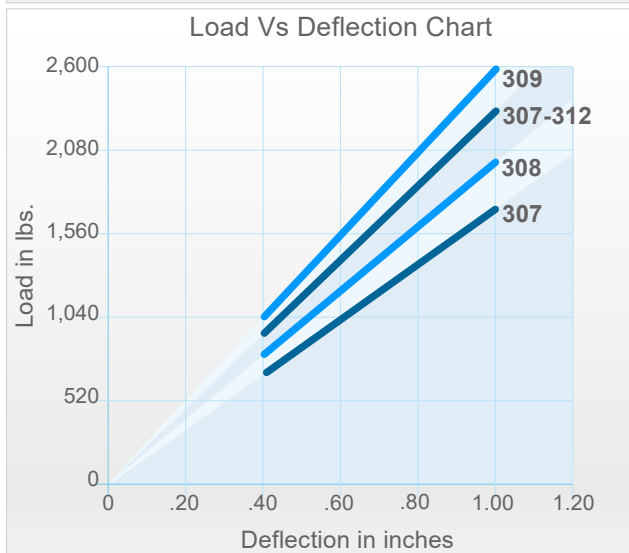
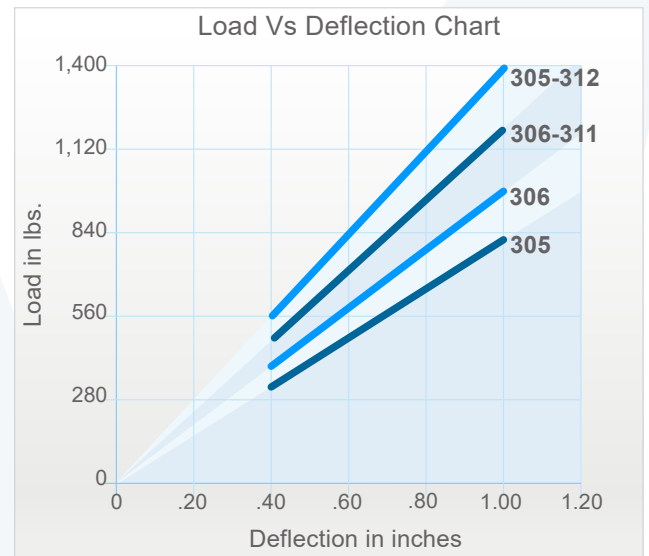
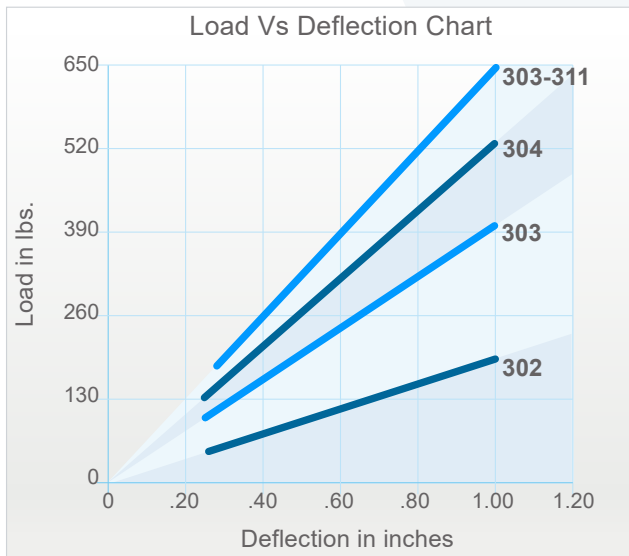
Tested & Certified to:
ANSI/ASHRAE 171-2017

Wind & Seismic Maximum Vertical Load Resistance: 16,640 lbs
Wind & Seismic Maximum Horizontal Load Resistance: 4,100 lbs

1" DEFLECTION SEISMIC RESTRAINED CERTIFIED SPRING MOUNT/SNUBBER

Model	Rated Load (lbs)	Deflection at Rated Load (lin)	Spring Rate (lbs/in)	Spring Color	Ship. Weight (lbs)
SRM-1-302	195	1	195	Yellow	21
SRM-1-303	400	1	400	Orange	21
SRM-1-304	530	1	530	Red	21
SRM-1-303-311	650	1	650	Orange/Green	22
SRM-1-305	825	1	825	White	21
SRM-1-306	1,000	1	1,000	Brown	21
SRM-1-306-311	1,200	1	1,200	Brown/Green	22
SRM-1-305-312	1,400	1	1,400	White/Yellow	22
SRM-1-307	1,700	1	1,700	Green	22
SRM-1-308	2,000	1	2,000	Black	22
SRM-1-307-312	2,330	1	2,330	Green/Yellow	23
SRM-1-309	2,600	1	2,600	Blue	22
SRM-1-308-313	2,990	1	2,990	Black/Orange	23
SRM-1-308-314	3,250	1	3,250	Black/Grey	23
SRM-1-309-314	3,850	1	3,850	Blue/Grey	23

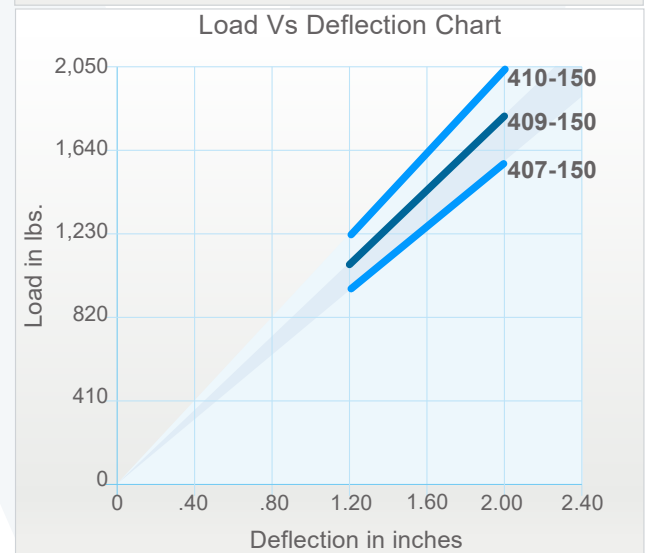
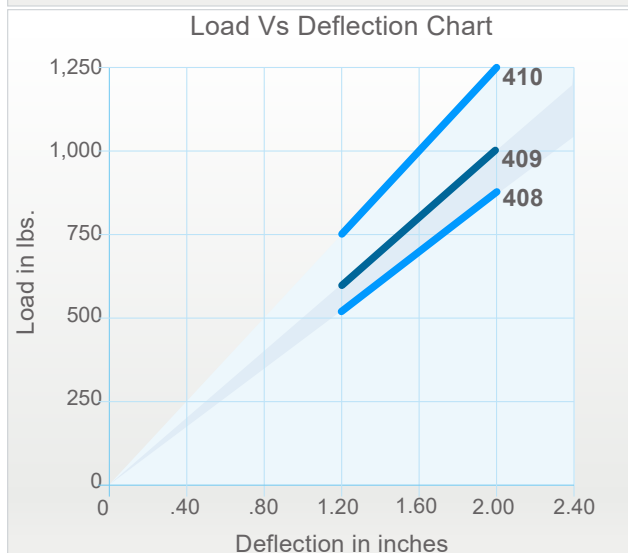
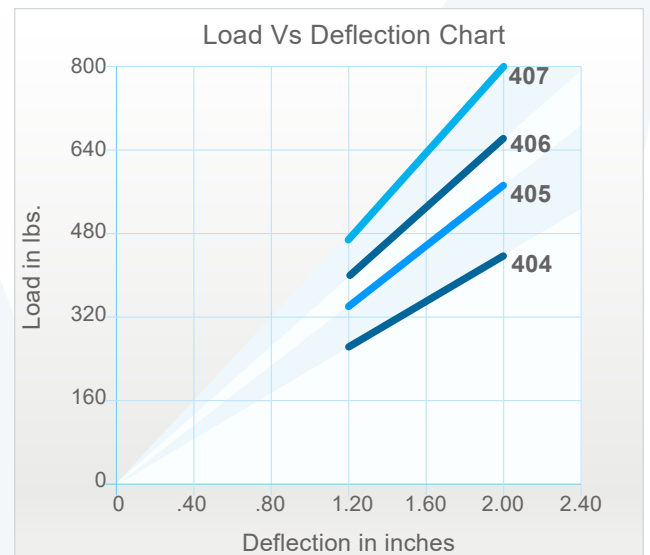
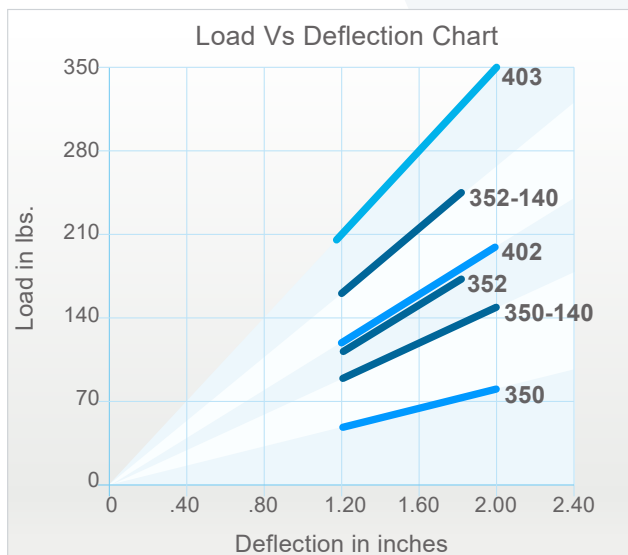
Models are available in two configurations: SRMF-1 (flat top), and SRMT-1 (top bolt).



2" DEFLECTION SEISMIC RESTRAINED CERTIFIED SPRING MOUNT/SNUBBER

Model	Rated Load (lbs)	Deflection at Rated Load (lin)	Spring Rate (lbs/in)	Spring Color	Ship. Weight (lbs)
SRM-1-350	80	2	40	Plated	22
SRM-1-350-140	150	2	75	Plated/Plated	23
SRM-1-352	180	1.8	100	Plated	22
SRM-1-402	200	2	100	Grey	22
SRM-1-352-140	250	1.8	125	Plated/Plated	23
SRM-1-403	348	2	174	Black	22
SRM-1-404	453	2	226	Blue	22
SRM-1-405	590	2	295	Red	22
SRM-1-406	676	2	338	Orange	22
SRM-1-407	787	2	393	Green	22
SRM-1-408	918	2	459	White	23
SRM-1-409	1,000	2	500	Brown	23
SRM-1-410	1,250	2	625	Yellow	23
SRM-1-407-150	1,587	2	793	Green/Grey	24
SRM-1-409-150	1,800	2	900	Brown/Grey	24
SRM-1-410-150	2,050	2	1,025	Yellow/Grey	24

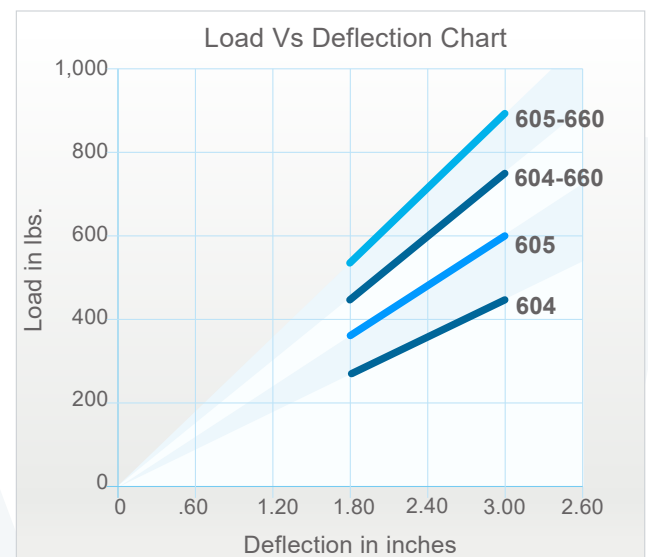
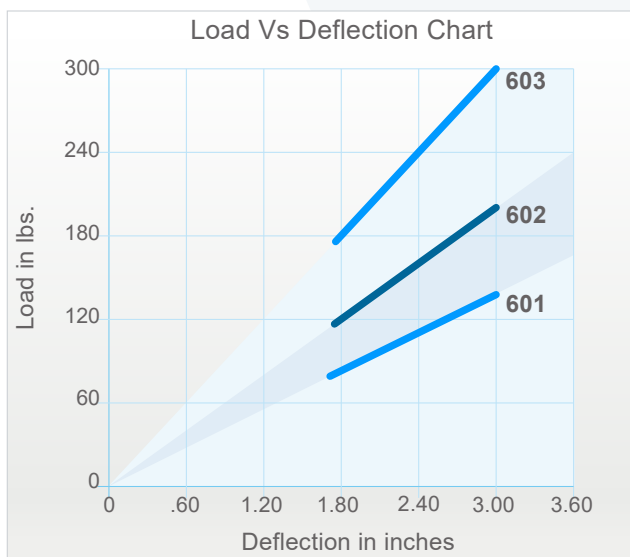
Models are available in two configurations: SRMF-1 (flat top), and SRMT-1 (top bolt).



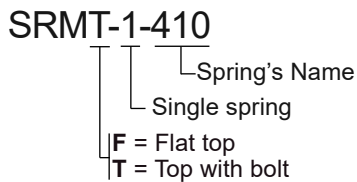
3" DEFLECTION SEISMIC RESTRAINED CERTIFIED SPRING MOUNT/SNUBBER

Model	Rated Load (lbs)	Deflection at Rated Load (lin)	Spring Rate (lbs/in)	Spring Color	Ship. Weight (lbs)
SRM-1-601	140	3	46.6	Blue	25
SRM-1-602	200	3	66.6	Yellow	25
SRM-1-603	300	3	100	Orange	25
SRM-1-604	450	3	150	Red	25
SRM-1-605	600	3	200	Green	25
SRM-1-604-660	750	3	250	Red/Grey	26
SRM-1-605-660	900	3	300	Green/Grey	26

Models are available in two configurations: SRMF-1 (flat top), and SRMT-1 (top bolt).



Model nomenclature:



Notes:

- a) Vibrasystems isolators are tested and certified to ASHRAE 171-2017 for wind and seismic load resistance. Wind and Seismic Certification Compliance Report 1701502-CR-001-R1 is available upon request.
- b) 300 Spring: 3" Outside diameter x 4.75" Free Length.
- c) 310 Spring: 1.75" Outside diameter x 4.75" Free Length.
- d) 400 Spring: 3" Outside diameter x 5.75" Free Length.
- e) 150 Spring: 2" Outside diameter x 5.75" Free Length.
- f) 600 Spring: 3" Outside diameter x 6.75" Free Length
- g) 660 Spring: 2" Outside diameter x 6.75" Free Length
- h) Rated load is the maximum load recommended.