

SEISMIC RESTRAINED CERTIFIED SPRING MOUNTS

2" and 3" spring deflection models **SRMT-1** (top levelling bolt) and models **SRMF-1** (flat top with built-in levelling feature) are heavy-duty Seismic Restrained Certified Spring Mounts - Snubbers Combination. The uniquely innovative design incorporates interlocking top and bottom steel channels, which restrict the movement (snubbers effect) in all horizontal directions under lateral forces. Rubber lining inside bottom metal channels prevents metal-to-metal contact. **Vibrasystems Inc. isolators are tested and certified to ASHRAE 171-2017 for wind and seismic load resistance.**

Recommended for:

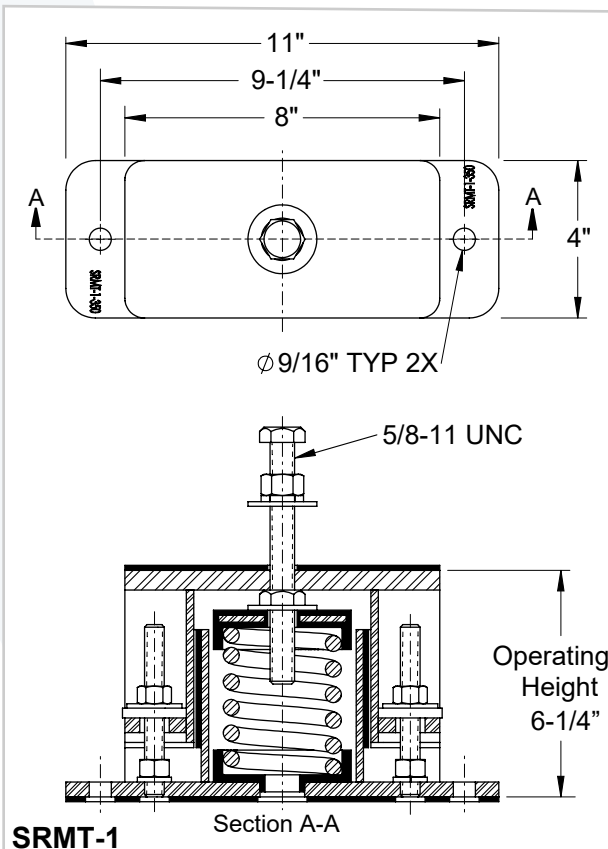
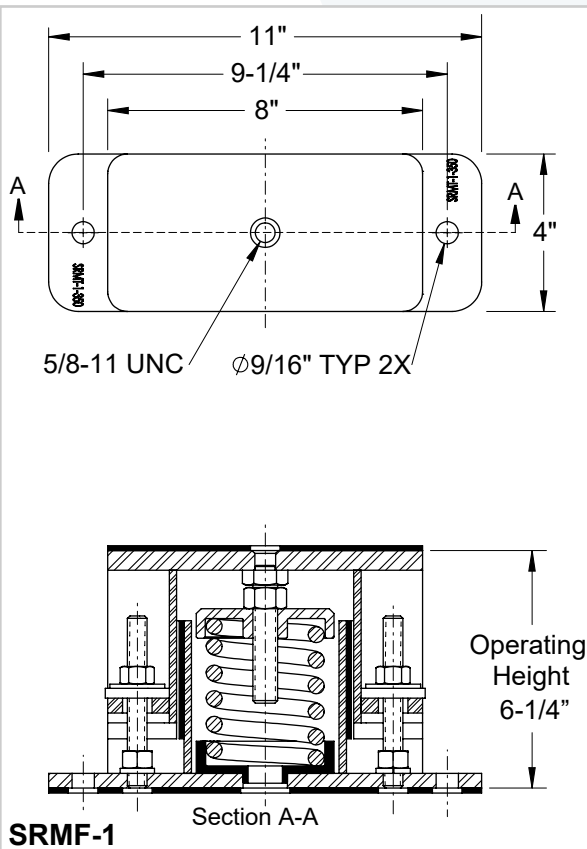
HVAC equipment, fan air circulation systems, compressors, pumps, chillers, AC units, cooling towers, inertia bases, etc.



SRMF-1



SRMT-1



Features:

- ✓ Safety Factor - Springs will accommodate 50% extra load from rated load to solid load.
- ✓ All mounts' elements are safe at solid load.
- ✓ Interlocking steel channels restrict the movements (snubbers) in all horizontal directions.
- ✓ Rubber lining inside bottom metal channels prevents metal-to-metal contact.
- ✓ Zinc plates housings and springs provide good corrosion resistance.
- ✓ Elastomer spring base cap provides better vibration isolation, load distribution and noise reduction.
- ✓ Springs are color coded and easily replaceable.
- ✓ Now tested and certified to: **ASHRAE 171-2017 for wind and seismic load resistance.**

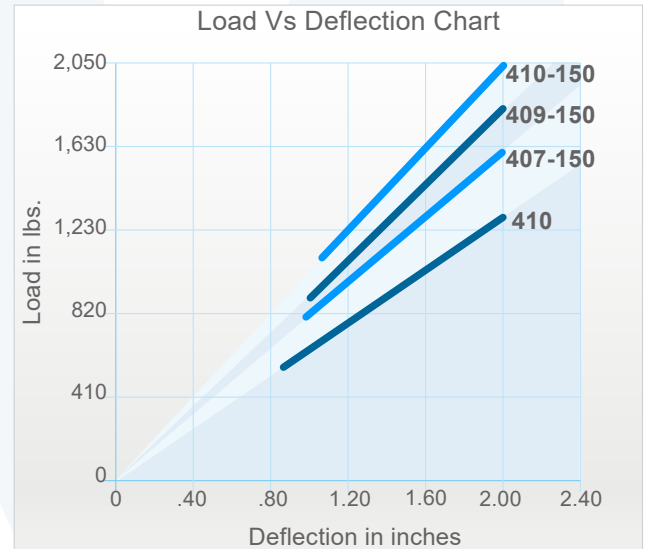
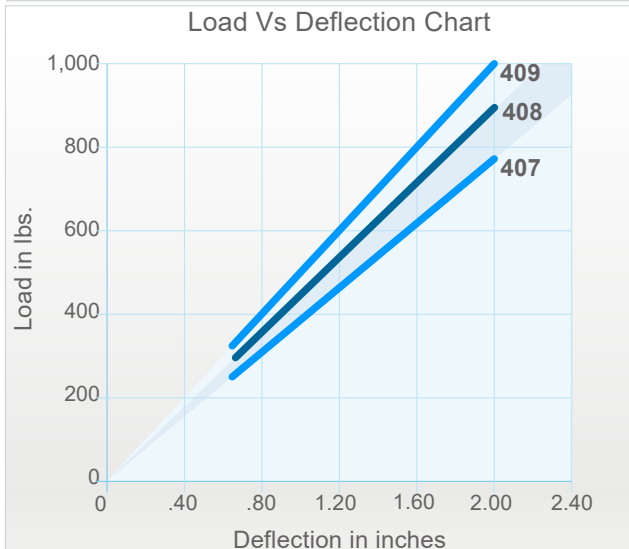
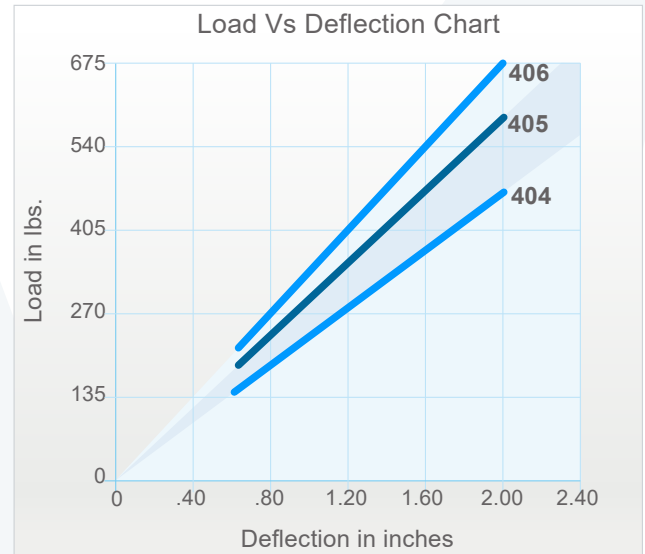
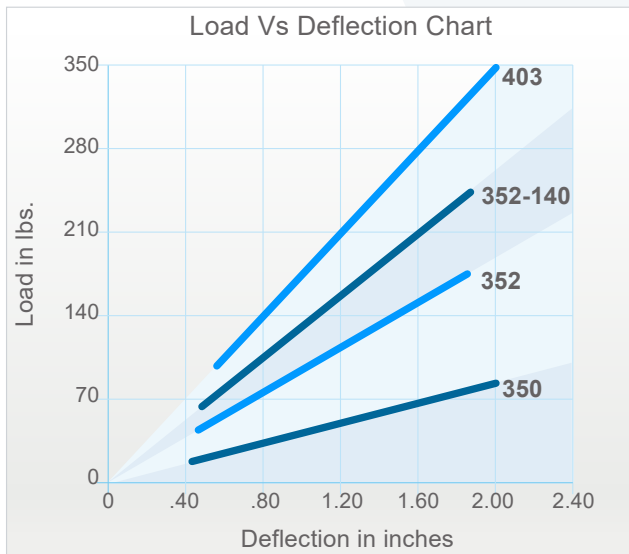
Tested & Certified to:
ANSI/ASHRAE 171-2017

Wind & Seismic Maximum Vertical Load Resistance: 16,940 lbs
Wind & Seismic Maximum Horizontal Load Resistance: 4,100 lbs

2" DEFLECTION SEISMIC RESTRAINED CERTIFIED SPRING MOUNTS

Model	Rated Load (lbs)	Deflection at Rated Load (lin)	Spring Rate (lbs/in)	Max. Combined Vertical / Horizontal G Rating	Spring Color
SRM-1-350	80	2	40	81	Red
SRM-1-352	180	1.8	100	36	Plated
SRM-1-352-140	250	1.8	125	25	Plated/Black
SRM-1-403	348	2	174	18	Black
SRM-1-404	453	2	226	14	Blue
SRM-1-405	590	2	295	11	Red
SRM-1-406	676	2	338	9	Orange
SRM-1-407	787	2	393	8	Green
SRM-1-408	918	2	459	7	White
SRM-1-409	1,000	2	500	6	Brown
SRM-1-410	1,250	2	625	5	White
SRM-1-407-150	1,587	2	793	4	Green/Grey
SRM-1-409-150	1,800	2	900	3.6	Brown/Grey
SRM-1-410-150	2,050	2	1,025	3.1	White/Grey

Models are available in two configurations: SRMF-1, and SRMT-1.

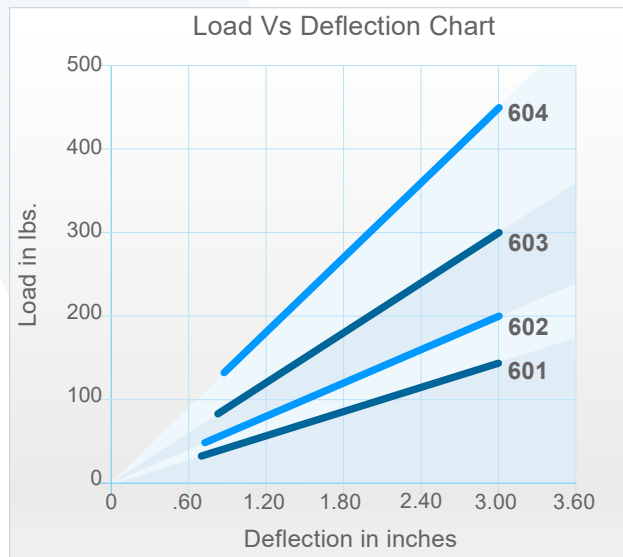


3" DEFLECTION SEISMIC RESTRAINED CERTIFIED SPRING MOUNTS

Model	Rated Load (lbs)	Deflection at Rated Load (lin)	Spring Rate (lbs/in)	Max. Combined Vertical / Horizontal G Rating	Spring Color
SRM-1-601	140	3	47	46	Blue
SRM-1-602	200	3	67	32	Yellow
SRM-1-603	300	3	100	21	Orange
SRM-1-604	450	3	150	14	Red

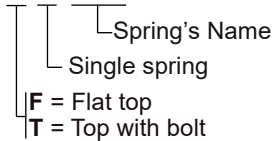
Models are available in two configurations: SRMF-1, and SRMT-1.

Tested & Certified to: ANSI/ASHRAE 171-2017	Wind & Seismic Maximum Vertical Load Resistance: 16,940 lbs
	Wind & Seismic Maximum Horizontal Load Resistance: 4,100 lbs



Model nomenclature:

SRMT-1-410



Notes:

- Vibrasystems isolators are tested and certified to ASHRAE 171-2017 for wind and seismic load resistance. Wind and Seismic Certification Compliance Report 1701502-CR-001-R1 is available upon request.
- 350 Spring: 3" Outside diameter x 5" Free Length.
- 140 Spring & 170 Spring: 2" Outside diameter x 5" Free Length.
- 400 Spring: 3" Outside diameter x 5.75" Free Length.
- 150 Spring: 2" Outside diameter x 5.75" Free Length.
- 600 Spring: 3" Outside diameter x 6.75" Free Length
- Rated load is the maximum load recommended.