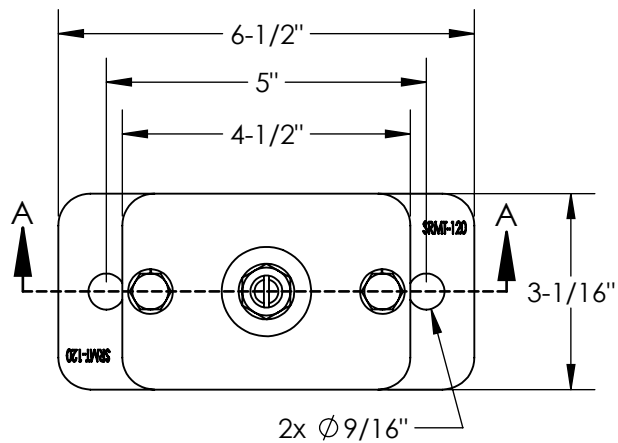


2

1



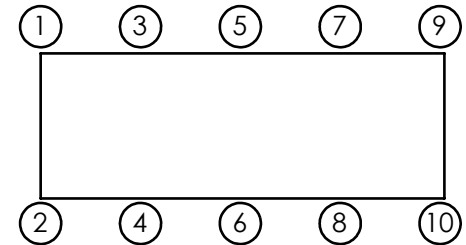
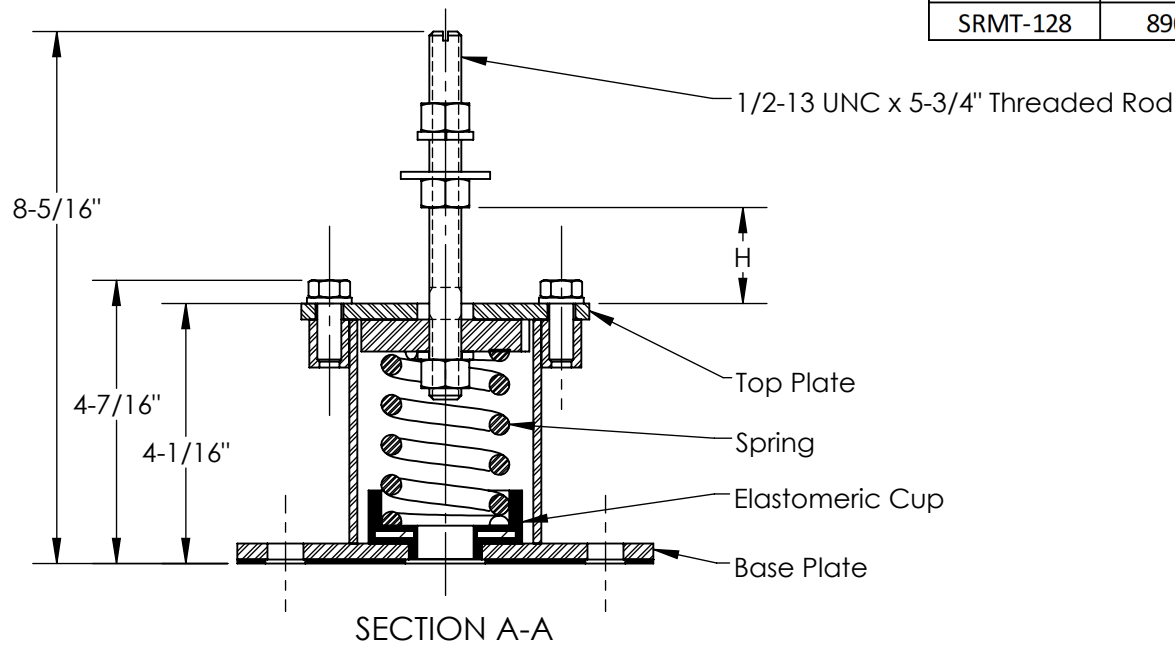
### Seismic Restrained Spring Mounts | SRMT-120

Spring 2" diameter x 2-3/4" length      1-1/2" deflection

Model	Maximum Load (lbs)	Deflection at Maximum Load (in)	Solid Load (lbs)	Deflection at Solid Load (in)	Spring Rate (lbs/in)	Spring Colour
SRMT-121	50	1.20	75	1.81	41.0	Grey
SRMT-122	100	1.00	150	1.50	100.0	Black
SRMT-123	150	1.12	225	1.69	131.0	Pink
SRMT-124	250	1.00	375	1.50	250.0	Blue
SRMT-125	290	1.24	440	1.88	334.0	Red
SRMT-126	445	0.87	675	1.32	511.0	Brown
SRMT-127	660	0.82	1,000	1.25	790.0	Yellow
SRMT-128	890	0.74	1,350	1.13	1,179.0	Green

B

B



#### Isolator Selections

Pos 1		Pos 2	
Pos 3		Pos 4	
Pos 5		Pos 6	
Pos 7		Pos 8	
Pos 9		Pos 10	

**Notes:**

- All dimensions are in inches, interpret per ANSI Y14.
- Standard finish: Housing - Zinc Bright Plating; Spring - Zinc Bright Plating (Color: see table); Hardware - Zinc-electroplate.
- All springs at maximum loads have 50% additional travel to solid load.
- Safety factor will accommodate 50% extra load from maximum load.

## VibraSystems Inc

www.vibrasystems.com  
email: info@vibrasystems.com

### INSTALLATION INSTRUCTIONS

SCALE: None	MODEL: SRMT-120	SHEET 1 OF 2	REV A
----------------	--------------------	--------------	----------

2

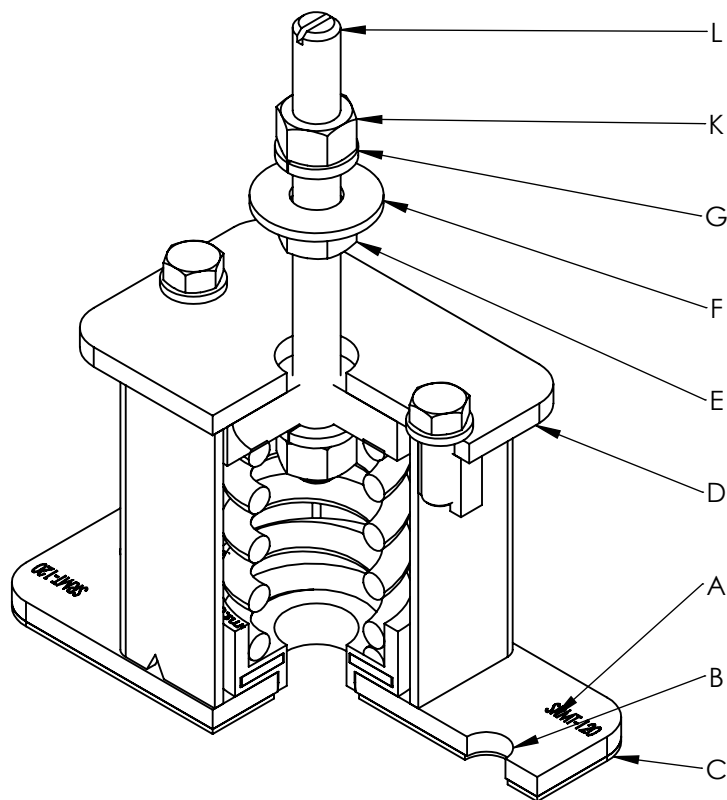
1

A

A

1. Check each isolator's model number ("A") against the information on the packing slip, before beginning installation.
2. Secure the isolator to the equipment support structure - concrete foundation or metal frame, according to the equipment base's drawings for the locations of the mounting holes ("B").
  - 2.1. If the isolator is installed on a concrete foundation, use sets of seismically rated concrete anchors and follow the general anchor installation instructions with the required torque value on the anchor's nut.
  - 2.2. If the isolator is installed on a metal base, use grade 5 or better hardware to secure the isolator to the support base. Welding to steel base is permitted provided the weld achieves the required strength. Remove the rubber pad ("C") before welding.
  - 2.3. Vibrasystems Inc. recommends that all the isolators are installed on a level surface.

3. Remove the top hexagon nut ("K") and the spring washer ("G"). Central threaded rod ("L") must have a flat washer ("F") and a hexagon nut ("E"). Make sure there is a minimum clearance of 1-1/2" ("H") see sheet 1 of 2 - between the lower hexagon nut ("E") and the isolator's top plate ("D")
4. Use a forklift, crane or any other certified lifting machine to raise the equipment to be installed. Slowly lower the equipment on top of the flat washer ("F") and make sure that the isolator's central threaded rod ("L") properly fit through the holes on the base of the equipment. When the equipment, which must be at the full operating weight, is placed onto the isolator's flat washer ("F"), the isolator's spring will be compressed under the load according to the Load VS. Deflection chart for this isolator model.
5. Level each isolator in sequence by turning adjusting hexagon nut ("E") a full counterclockwise turn at a time. Repeat this procedure on all isolators, one at a time. Adjust the hexagon nut ("E") to allow a free movement of the installed equipment at all mounting points, with a minimum clearance of 3/4" ("H") - see sheet 1 of 2.
6. After the leveling is done, run down the hexagon nut ("K") and the spring washer ("G") to secure the equipment to the isolator. Securely lock equipment and isolator together.
7. Installation is complete.



<b><u>VibraSystems Inc</u></b>			
www.vibrasystems.com email: info@vibrasystems.com			
<b>INSTALLATION INSTRUCTIONS</b>			
SCALE:	MODEL:	SHEET 2 OF 2	REV
None	SRMT-120		A