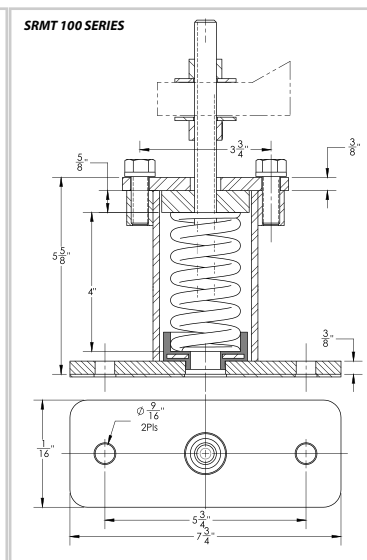
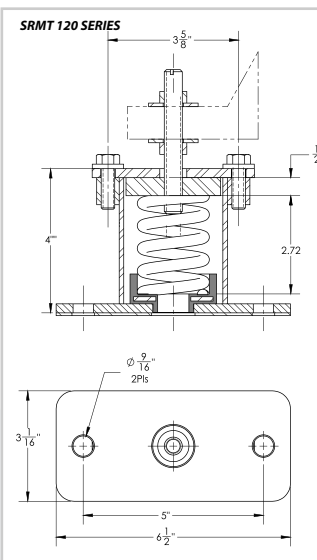
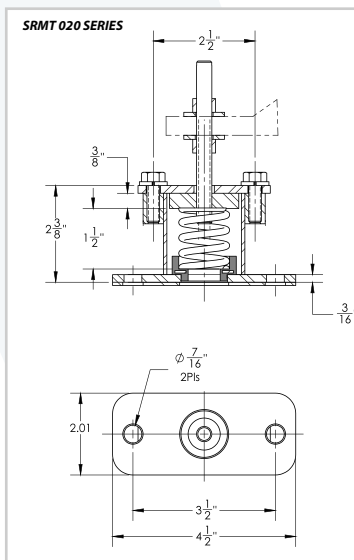


SRMT 020/120/100

SRMT series mounts are designed to provide efficient isolation from critical vibrations and all-directional restraint from vertical and horizontal forces, as well as from forces due to seismic activities and high wind loads.

Recommended for:

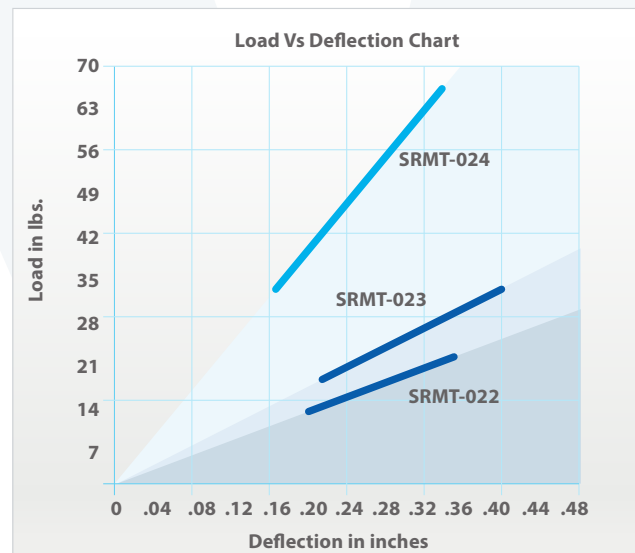
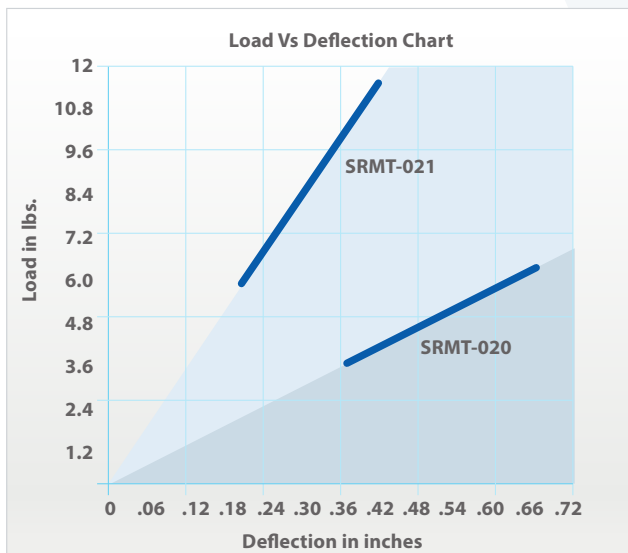
HVAC equipment, fan air circulation systems, compressors, pumps, chillers, shakers-screens, material and liquid processing equipment, and applications where low frequency isolation is required.

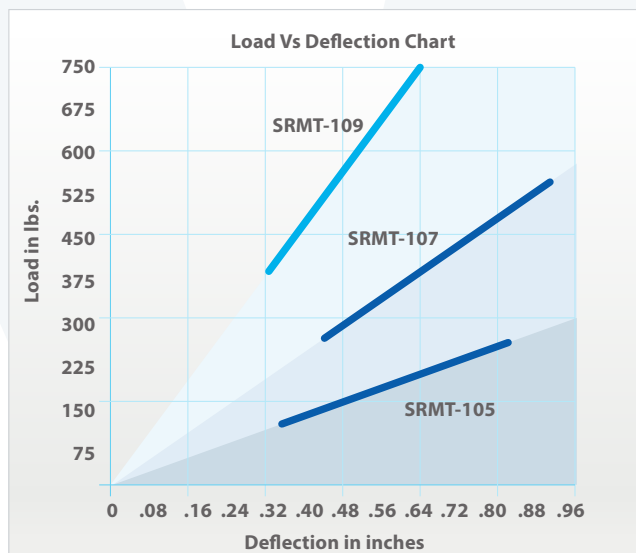
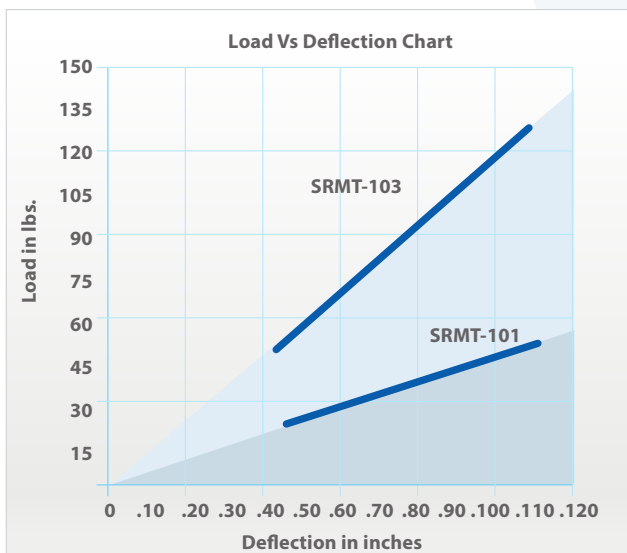
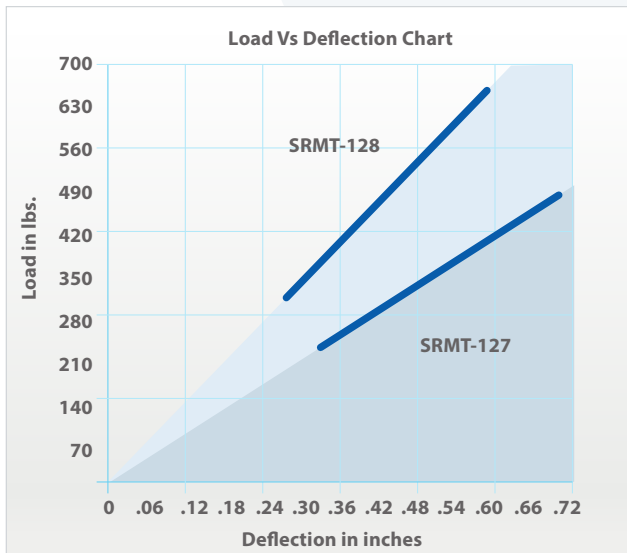
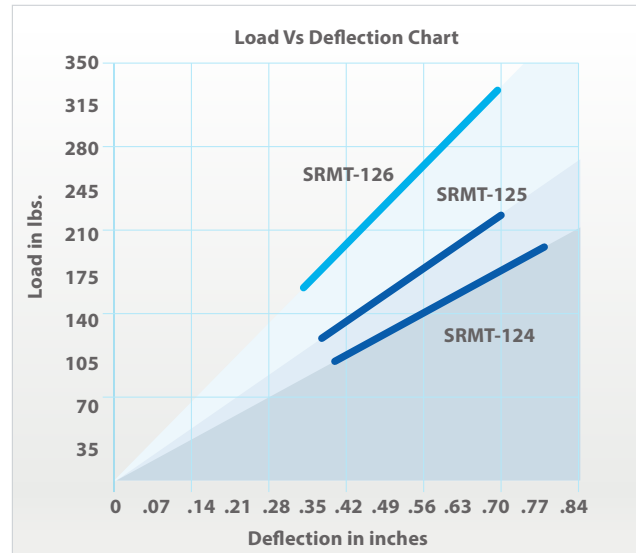
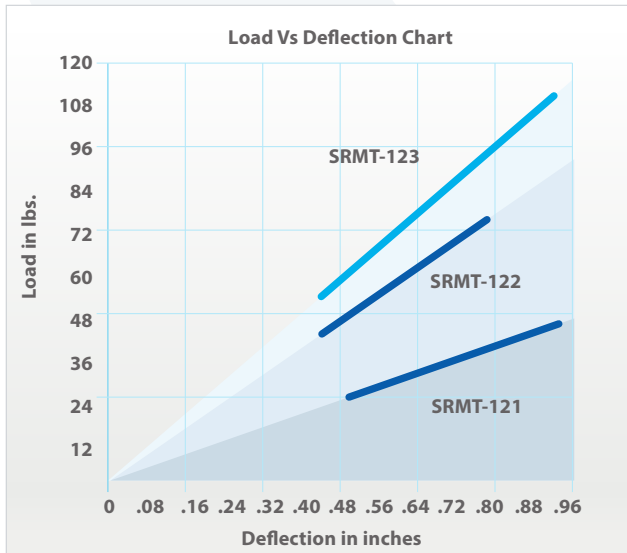


Features:

- ✓ All springs at rated loads have 50% additional travel to solid load.
- ✓ All mounts' elements are safe at solid load.
- ✓ Safety Factor for seismic mounts - maximum load is 50% of solid load.
- ✓ Recommended load range: from 50% of maximum load to maximum load.
- ✓ Zinc plates housings and springs provide good corrosion resistance.
- ✓ Elastomer spring base cap provides better vibration isolation, load distribution and noise reduction.
- ✓ Springs are color coded and easily replaceable.
- ✓ Rugged welded steel housing designed to withstand seismic and high wind forces.
- ✓ Anti-skid rubber acoustical pad.

Model	Maximum Load (lbs)	Deflection at Maximum Load (in)	Solid Load (lbs)	Deflection at Solid Load (in)	Spring Colour
SRMT-020		Spring - 1.25" dia. x 1.5" lg. - 0.75" deflection			
020	7	0.66	14	1.00	Black
021	12	0.42	24	0.86	Blue
022	25	0.36	50	0.72	Red
023	37	0.42	74	0.74	Yellow
024	68	0.35	137	0.65	White
SRMT-120		Spring - 2" dia. x 2.75" lg. - 1.5" deflection			
121	37	0.95	75	1.81	Grey
122	75	0.81	150	1.50	Black
123	112	0.97	225	1.69	Pink
124	187	0.85	375	1.50	Blue
125	220	0.72	440	1.88	Red
126	337	0.72	675	1.32	Brown
127	500	0.70	1,000	1.25	Yellow
128	675	0.60	1,350	1.13	Green
SRMT-100		Spring - 2" dia. x 4.0" lg. - 2" deflection			
101	55	1.15	110	2.25	Black
103	130	1.08	260	2.13	Blue
105	237	0.83	475	1.75	Brown
107	550	0.93	1,100	1.70	Yellow
109	750	0.63	1,500	1.25	Green





INSTALLATION INSTRUCTIONS FOR SEISMIC RESTRAINED MOUNTS

For Models : SRMT-020, SRMT – 120 and SRMT – 100

1. Check each isolator model number against the information in the packing slip, before installation.
2. Secure isolators to the equipment support structure - concrete or metal frame, according to the equipment base's drawings for the location of the mounting holes.
 - If equipment is installed on the concrete foundation, use seismically rated concrete anchors and follow the general anchor installation instructions with the required torque value on anchor's nut.
 - If equipment installed on the metal base, use grade 5 or better hardware to secure isolators to the support base.
3. Do not install the anchor's washers and nuts until the equipment is installed on all of the isolators, and central bolts are inside equipment base's mounting holes. After that, that tighten anchor nuts to secure the isolators' bases to the foundation.
4. Make sure that there is a minimum clearance of 1" between the central bolt's lower nut and the isolator's top steel cover before beginning the installation.
5. Use forklift, crane, or any other certified lifting machine to raise the equipment being installed. Slowly lower the equipment onto the isolators and make sure that central bolts of the isolators properly fit into the holes in the base of the equipment .
6. The base of the equipment should sit on the lower nut and washer of the isolators' center bolts. Once the equipment sits on all of the isolators, the springs of the isolators will be compressed under load. Make sure that the central bolt's bottom nut is not touching mount's cover. If it does, adjust the height of the bottom nut so that the equipment has free movement at all mounting points, with a minimum gap between the bottom of the nut and isolator's top cover of about $\frac{1}{8}$ ".
7. Proceed with leveling according to the standard leveling instructions for machinery installation. Once the equipment is leveled, install the central bolt's top washer, lock washer, and lock nut on each isolator. Securely lock equipment base and isolator together.
- 8. Maximum leveling for all model s is - $\frac{1}{2}$ ". Use shims under bases of the mounts if/when required.**