

STEEL RUBBER MOUNTING PADS

SRMP Series

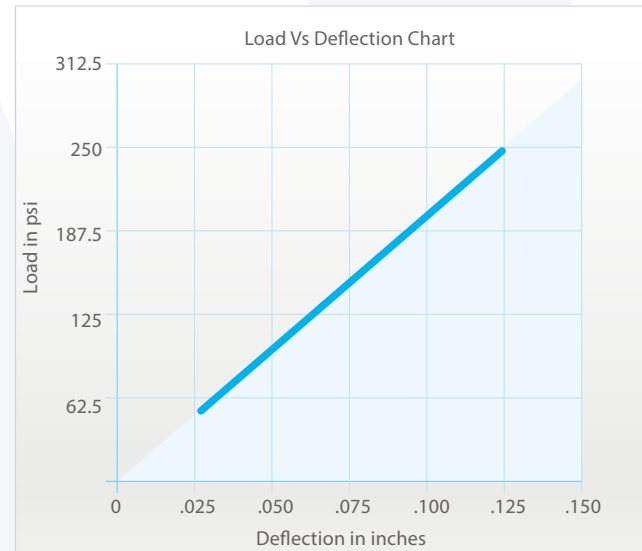
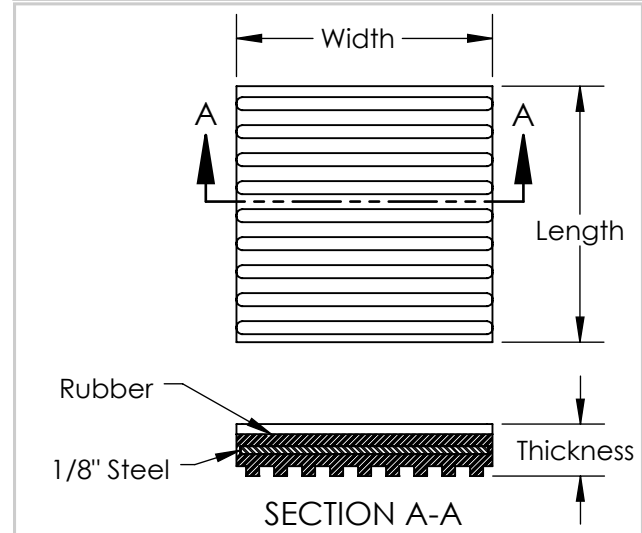
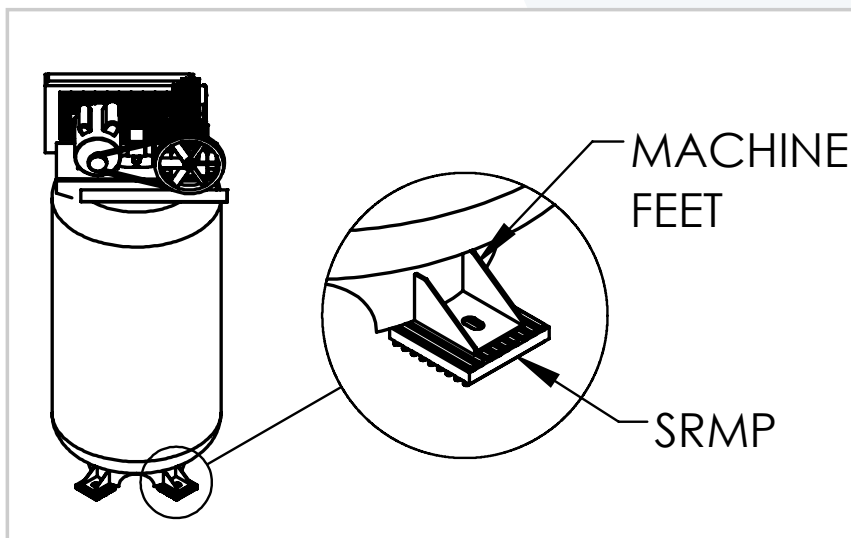
VibraSystem Inc. SRMP are Pads made of special rubber with a middle layer of mild steel plate. The design incorporates the main feature of a ribbed top and bottom surface for better non-slip grip.

Recommended for:

The SRMP Pad is suitable for applications where bolting is to be avoided and minor non-critical vibration conditions exist. It is also recommended for pumps, chillers, boilers, etc.

Model	Working Load Range (lbs)	Dimensions in inches		
		Length (in)	Width (in)	Thickness (in)
SRMP-0303	450 - 2,250	3	3	3/4
SRMP-0404	800 - 4,000	4	4	7/8
SRMP-0606	1,800 - 9,000	6	6	7/8

Typical Installation:



Features:

- ✓ Molded metal rib construction for reliability, longevity, and even weight distribution.
- ✓ 15% Deflection at Maximum Load, .125" (3.1mm)
- ✓ Simple field installation / No bolting required.
- ✓ Working Range: 50 to 250 psi.
- ✓ Material: Special Rubber.