

1" & 2" DEFLECTION SPRING HANGERS

HC-S models are heavy duty hangers and incorporate a new design of steel housing, with the base's two sides bent down. This considerably increases the rigidity of the steel frame, eliminating the possibility of the bending of the frame's bottom plate under heavy loads. Elastomer cups at the base and top of the spring have vulcanized steel washers to provide even and uniform load distribution on the bottom plate of the steel housing. These elastomer cups reduce the transfer of vibration and noise.

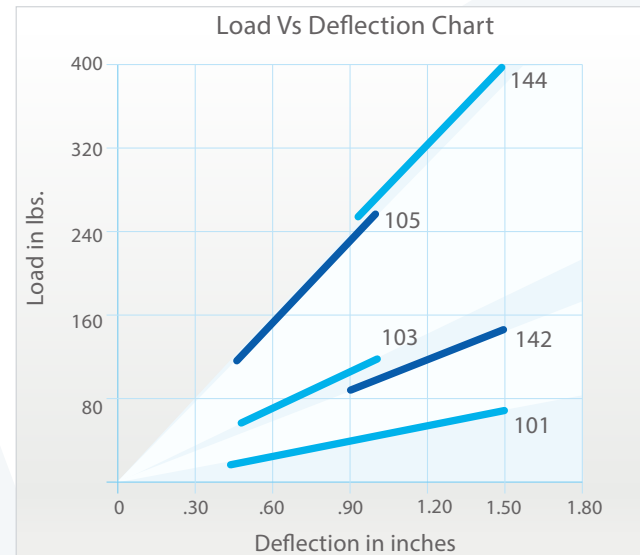


Recommended for:

Spring hangers are used for fan coil units, air circulation units, pipes, ducts, and other suspended structures and building services.

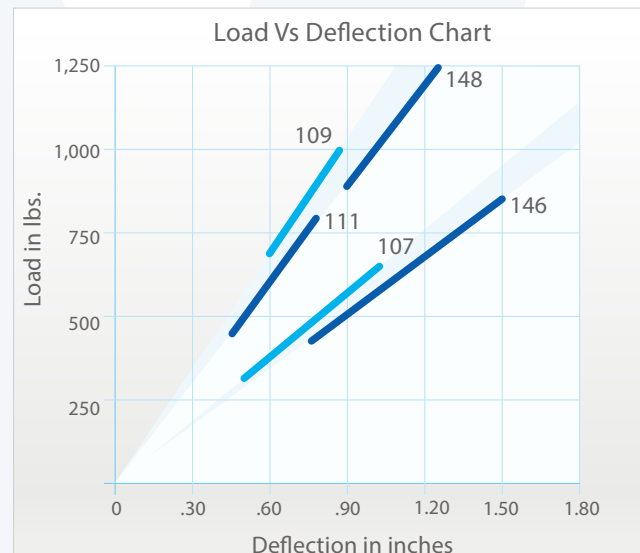
1" Deflection

| Model | Rated Load (lbs) | Deflection at Rated Load (inch) | Spring Rate (lbs/in) | Color |
|----------|------------------|---------------------------------|----------------------|--------|
| HC-S-101 | 75 | 1.5 | 50 | Blue |
| HC-S-103 | 120 | 1 | 120 | Brown |
| HC-S-142 | 135 | 1.5 | 90 | Blue |
| HC-S-105 | 270 | 1 | 270 | Yellow |
| HC-S-144 | 400 | 1.5 | 266 | Brown |
| HC-S-107 | 650 | 1 | 650 | Green |
| HC-S-111 | 800 | .75 | 1,066 | White |
| HC-S-146 | 850 | 1.5 | 566 | Yellow |
| HC-S-109 | 1,000 | .84 | 1,190 | Plated |
| HC-S-148 | 1,250 | 1.25 | 1,000 | Green |

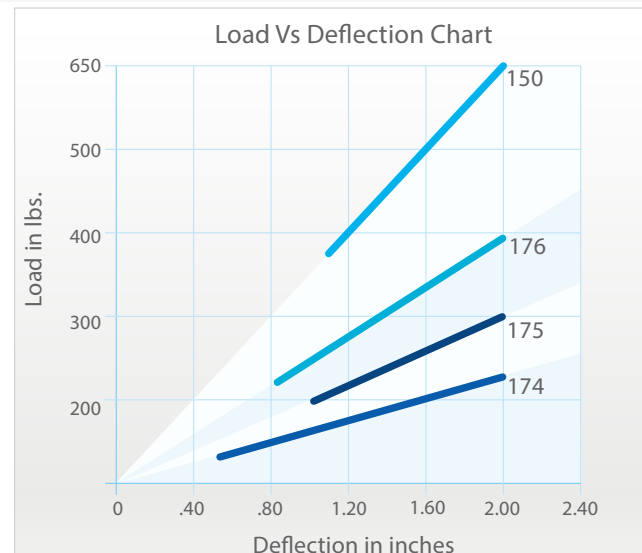
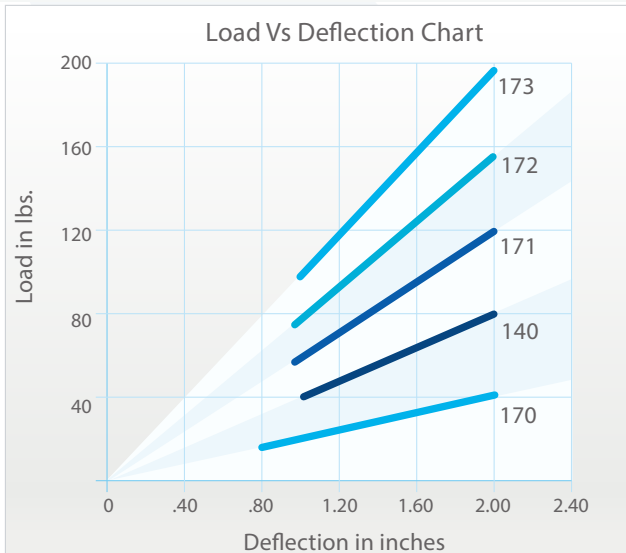


2" Deflection

| Model | Rated Load (lbs) | Deflection at Rated Load (inch) | Spring Rate (lbs/in) | Color |
|----------|------------------|---------------------------------|----------------------|--------|
| HC-S-170 | 43 | 2 | 21.5 | Blue |
| HC-S-140 | 80 | 2 | 40 | Black |
| HC-S-171 | 120 | 2 | 60 | Red |
| HC-S-172 | 155 | 2 | 77.5 | Orange |
| HC-S-173 | 195 | 2 | 97.5 | Green |
| HC-S-174 | 236 | 2 | 118 | White |
| HC-S-175 | 300 | 2 | 150 | Brown |
| HC-S-176 | 395 | 2 | 197.5 | Black |
| HC-S-150 | 650 | 2 | 325 | Grey |

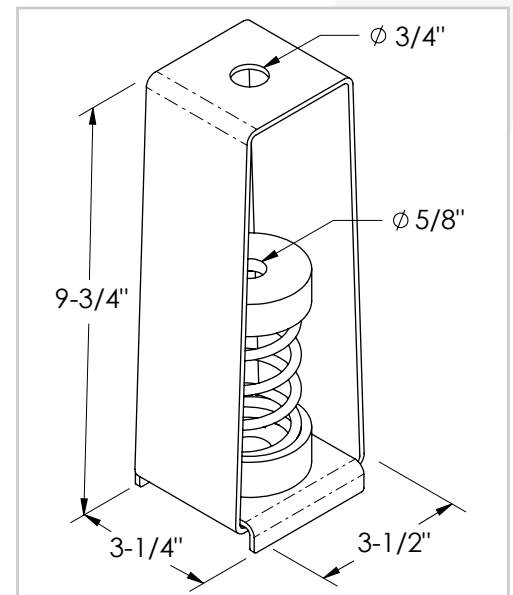


1" & 2" DEFLECTION SPRING HANGERS



Features:

- ✓ All springs at rated load have 50% additional travel to solid load.
- ✓ Housing is yellow zinc plated for better corrosion resistance.
- ✓ Safety factor - Springs will accommodate 50% extra load from rated to solid load.
- ✓ All hangers' elements are safe at solid load.
- ✓ Springs are color-coded and easily replaceable.



- Notes:**
- a) 100 Spring: 2" Outside diameter x 4" Free Length.
 - b) 140 Spring & 170 Spring: 2" Outside diameter x 5" Free Length.
 - c) 150 Spring: 2" Outside diameter x 5-3/4" Free Length.
 - d) Rated load is the maximum load recommended.

Installation Instructions:

In order to allow isolators to operate efficiently install hangers with a gap as shown below. Hangers are designed to allow to compensate minor misalignments.

