

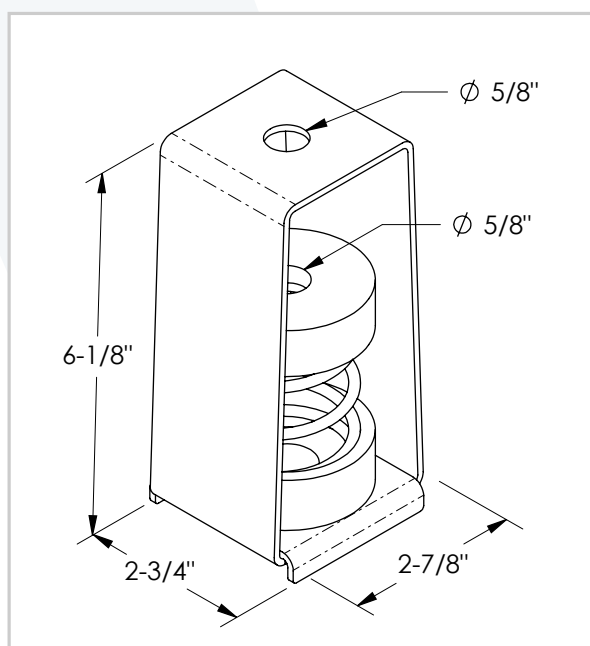
1" DEFLECTION SPRING HANGERS

HB-S models are heavy duty hangers and incorporate a new design of steel housing, with the base's two sides bent down. This considerably increases the rigidity of the steel frame, eliminating the possibility of the bending of the frame's bottom plate under heavy loads. Elastomer cups at the base and top of the spring have vulcanized steel washers to provide even and uniform load distribution on the bottom plate of the steel housing. These elastomer cups reduce the transfer of vibration and noise.



Recommended for:

Spring hangers are used for fan coil units, air circulation units, pipes, ducts, and other suspended structures and building services.



Features:

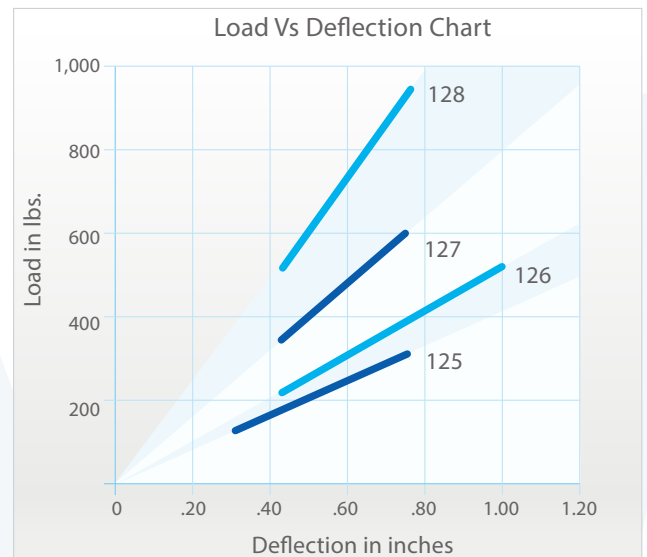
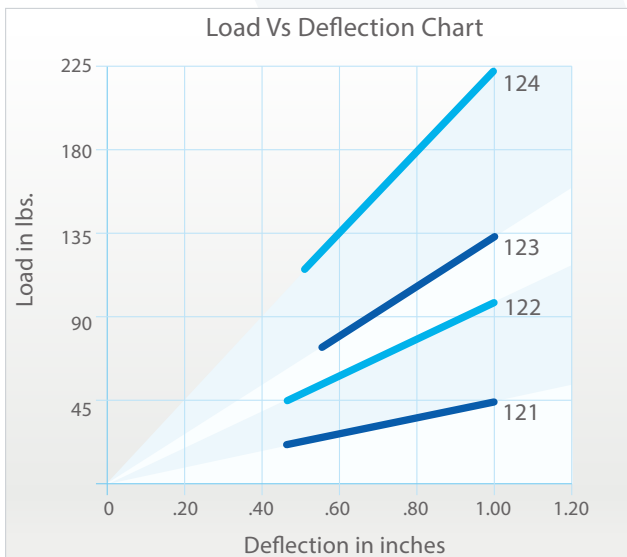
- ✓ All hangers' elements are safe at solid load.
- ✓ All springs at rated load have 50% additional travel to solid load.
- ✓ Springs are color-coded and easily replaceable.
- ✓ Safety factor - Springs will accommodate 50% extra load from rated load to solid load.
- ✓ Housing is yellow zinc plated for better corrosion resistance.

Notes:

- a) 120 Springs: 2" Outside diameter x 2.75" Free Length.
- b) Rated load is the maximum load recommended.

1" DEFLECTION SPRING HANGERS

Model	Rated Load (lbs)	Deflection at Rated Load (inch)	Spring Rate (lbs/in)	Color
HB-S-121	45	1	45	Grey
HB-S-122	100	1	100	Black
HB-S-123	135	1	135	Pink
HB-S-124	225	1	225	Blue
HB-S-125	330	.75	440	Red
HB-S-126	520	1	520	Brown
HB-S-127	600	.75	800	Yellow
HB-S-128	950	.75	1,265	Green



Installation Instructions:

In order to allow isolators to operate efficiently install hangers with a gap as shown below. Hangers are designed to allow to compensate minor misalignments.

