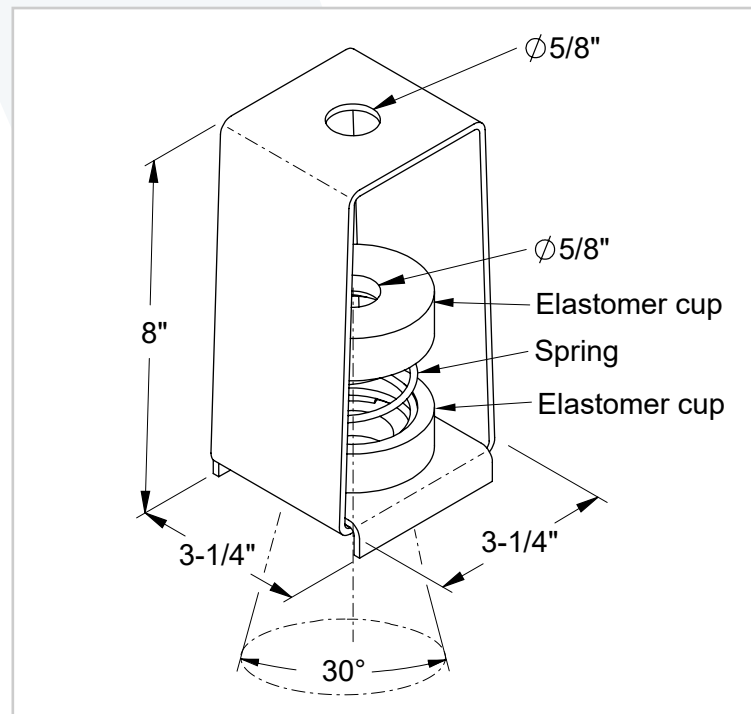


## 1" DEFLECTION SPRING HANGERS

**HB-S** models are heavy-duty hangers featuring a newly designed steel housing with downward-bent sides at the base. This significantly increases the rigidity of the steel frame, preventing the bottom plate from bending under heavy loads. Elastomer top cup has vulcanized steel washer to provide uniform load distribution. The elastomer bottom cup features a projecting bushing that prevents the rod from making contact with the steel frame. The top and bottom elastomer cups effectively minimize the transfer of vibration and noise.

### Recommended for:

Spring hangers are used for fan coil units, air circulation units (VAV), pipes, ducts, and other suspended structures and building services.

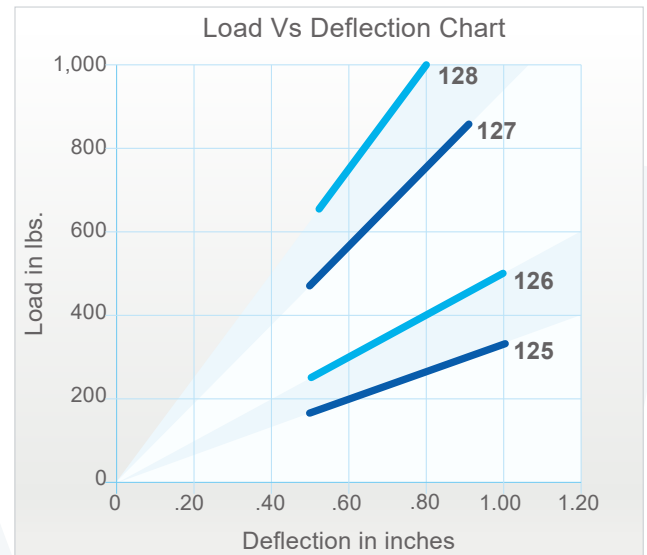
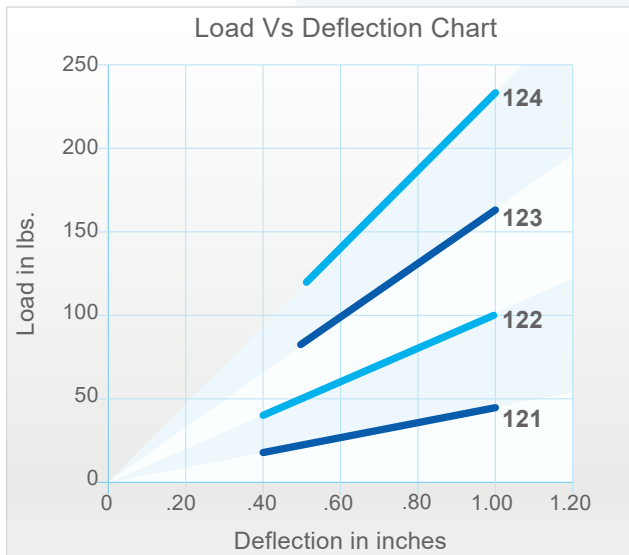


### Features:

- ✓ Safety factor: Springs will accommodate an additional 50% load from the rated load to the solid load.
- ✓ All hangers' elements are safe at solid load.
- ✓ All springs are designed with a horizontal stiffness of 1.0 times of the vertical rated stiffness ( $K_x / K_y$ ).
- ✓ Recommended load range: from 50% of rated load to rated load.
- ✓ Yellow zinc-plating housing and powder-coating springs provide excellent corrosion resistance.
- ✓ Acoustic elastomer spring cups provide superior vibration isolation and noise reduction.
- ✓ Springs are color-coded and easily replaceable.
- ✓ HB-S hangers allow a rod misalignment of 30°.

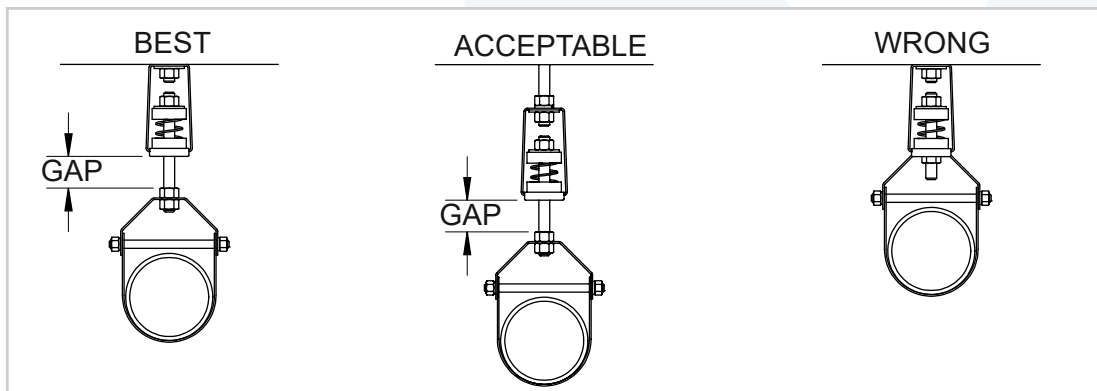
## 1" DEFLECTION SPRING HANGERS

Model	Rated Load (lbs)	Deflection at Rated Load (lin)	Spring Rate (lbs/in)	Spring Color	Ship. Weight (lin)
HB-S-121	45	1	45	Grey	3
HB-S-122	100	1	100	Black	3
HB-S-123	165	1	165	Pink	3
HB-S-124	235	1	235	Blue	3
HB-S-125	335	1	335	Red	3
HB-S-126	500	1	500	Brown	3
HB-S-127	850	.89	950	Yellow	3
HB-S-128	1,000	.80	1,250	Green	3



### Installation Instructions:

For optimal isolator performance, install hangers with the specified gap as shown below. Designed to accommodate minor misalignments, these hangers support a maximum recommended rod diameter of 1/2", allowing up to 30° of movement before contacting the elastomeric bottom cup.



### Notes:

- 120 Spring: 2" Outside diameter x 3" Free Length.
- Rated load is the maximum load recommended.