

SPRING ELASTOMER HANGERS

All models with HC and HD housing are heavy duty hangers and incorporate a new design of the steel housing, with the base's two sides bent down, which considerably increases rigidity of the housings bottom plate under load, and eliminates the possibility of bending.

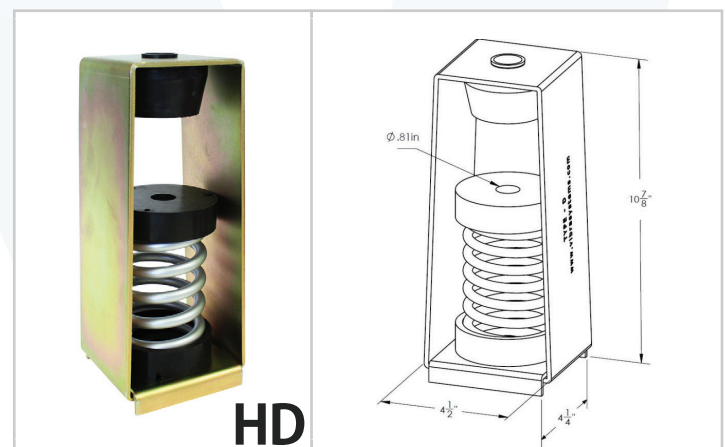
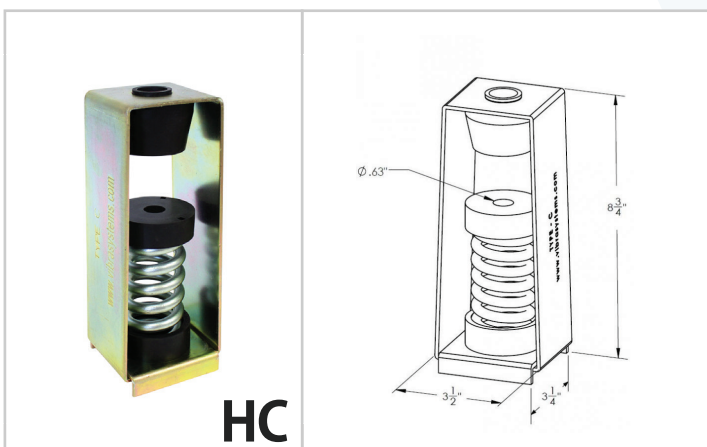
These hangers have three elastomer parts. The top and bottom spring's rubber cups have vulcanized steel washers for even load distribution. The bottom cup has a locator rubber ring to centre the cup and spring in hanger's housing. The third part is an elastomer element with the rubber ring to centre the element in the top opening in the housing's frame. Depending on the load, different sizes and hardness of the elements are recommended and available.

Features:

- ✓ **New base plate design of the steel housing with two bent sides considerably increases rigidity of the frame.**
- ✓ **Housing is yellow zinc plated for better corrosion resistance.**
- ✓ **Top and bottom elastomer cups and elements have embedded steel washers for uniform load distribution.**
- ✓ **The bottom cup and elastomer element have a rubber ring for proper-centre location in housing frame.**
- ✓ **All springs at maximum load have 50% additional travel to solid load.**
- ✓ **All hanger's elements are safe at solid load.**
- ✓ **Safety factor for hangers-max.load is 50% of solid load.**
- ✓ **Springs are color-coded and easily replaceable.**

Recommended for:

Spring hangers are used for fans, A/C, pipes, ducts and other suspended structures and building services, as well as applications with critical requirements for vibration/shock isolation and noise reduction.



SPRING ELASTOMER HANGERS

Model	Max. Load (lbs)	Deflection at Max. Load (inch)	Solid Load (lbs)	Deflection at Solid Load	Color
HC-S101-E2-40	55	1.15	110	2.25	Black
HC-S103-E2-40	130	1.08	260	2.13	Blue
HC-S105-E2-40	237	0.83	475	1.75	Brown
HC-S107-E2-60	550	0.93	1100	1.70	Yellow
HC-S109-E2-80	750	0.63	1500	1.25	Green
HD-S-350-E3-40	62	1.6	125	3.0	Red
HD-S-352-E3-40	120	1.25	240	2.5	Yellow
HD-S-354-E3-40	187	1.16	375	2.2	Purple
HD-S-356-E3-60	437	1.08	875	2.1	Black
HD-S-358-E3-80	850	1.13	1700	2.1	Orange
HD-SD-358-142-E3-60	1000	1.5	2000	2.75	Orange/Blue
HD-SD-358-144-E3-60	1200	1.35	2200	2.60	Orange/Brown
HD-SD-358-146-E3-80	1460	1.25	2920	2.25	Orange/Yellow
HD-SD-358-148-E3-80	1800	1.15	3600	2.0	Orange/Green

Note: Spring dimension: 2" dia x 4" L for HC housing and 3" dia x 5" L for HD housing.
 Load range starts from 50% of maximum load.
 Springs at maximum load have additional travel to solid beyond rated load.
 Hanger could withstand short-term impact forces.
 Model HD-SD-E hanger incorporates double springs.

SPRING ELASTOMER HANGERS

