

1" & 2" DEFLECTION RESTRAINED SPRING MOUNTS

SMSR-B2 series mounts are designed to provide efficient isolation from critical vibrations and all-directional restraint from vertical and horizontal forces, as well as from forces due to seismic activities and high wind loads. There are two available configurations:

SMSR-BT2: bolt top with leveling adjustment feature;

SMSR-BF2: flat top and inside leveling adjustment feature;

Recommended for:

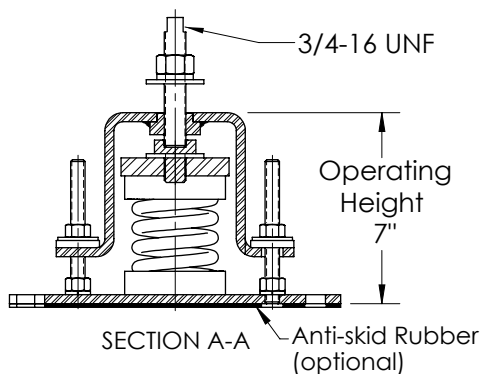
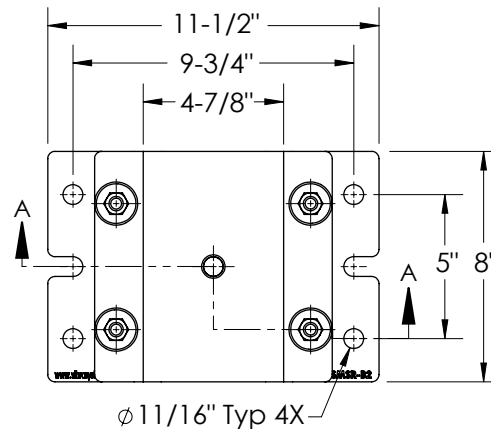
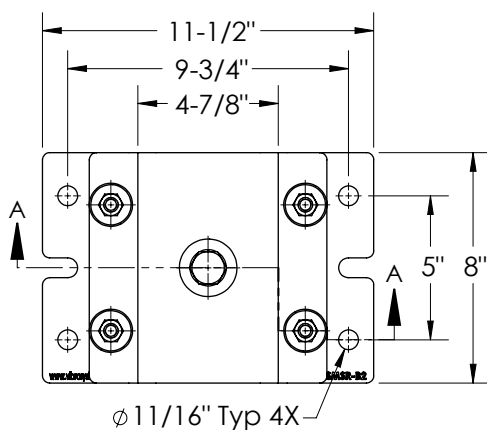
HVAC equipment, fan air circulation systems, compressors, pumps, chillers, AC units, cooling towers, inertia bases, etc.



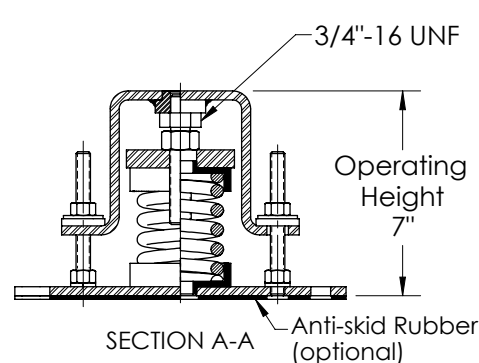
SMSR-BT2



SMSR-BF2



SMSR-BT2



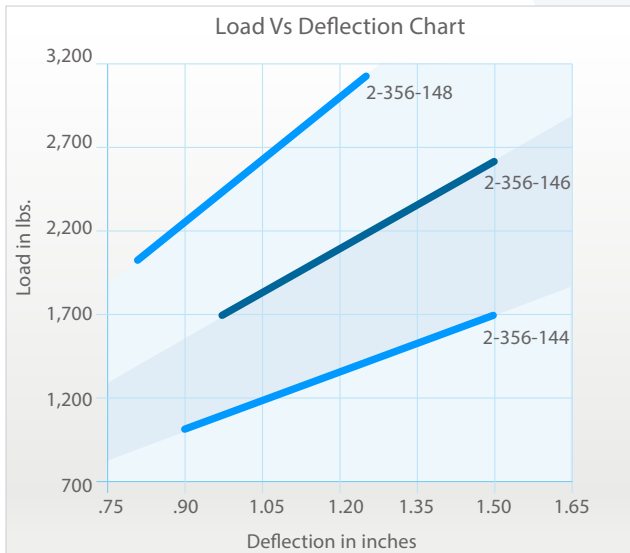
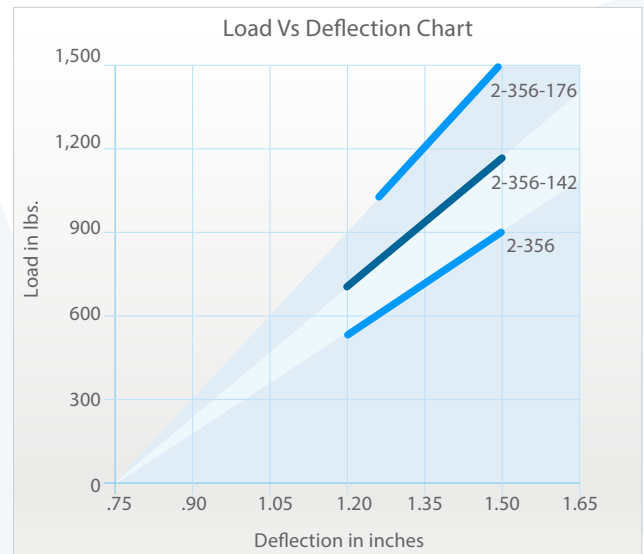
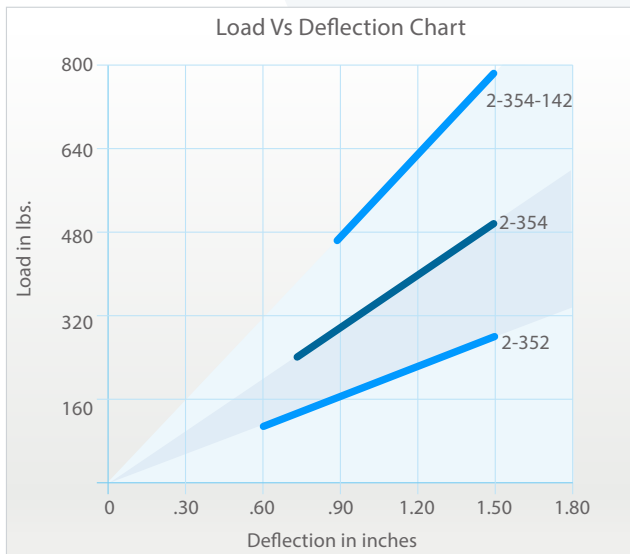
SMSR-BF2

Features:

- ✓ All springs at rated loads have 50% additional travel to solid load.
- ✓ All mounts' elements are safe at solid load.
- ✓ Safety Factor - Springs will accommodate 50% extra load from rated load to solid load.
- ✓ Recommended load range: from 50% of rated load to rated load.
- ✓ Zinc plated housing provides good corrosion resistance.
- ✓ Elastomer spring base cap provides better vibration isolation, load distribution and noise reduction.
- ✓ Springs are color coded and easily replaceable.
- ✓ Anti-skid rubber acoustical pad is optional.

1" DEFLECTION RESTRAINED SPRING MOUNTS

| Model | | Rated Load (lbs) | Deflection at Rated Load (lin) | Spring Rate (lbs/in) | Spring Color |
|------------------|------------------|------------------|--------------------------------|----------------------|--------------|
| SMSR-BT2-352 | SMSR-BF2-352 | 280 | 1-1/2 | 187 | Yellow |
| SMSR-BT2-354 | SMSR-BF2-354 | 500 | 1-1/2 | 333 | Purple |
| SMSR-BT2-354-142 | SMSR-BF2-354-142 | 770 | 1-1/2 | 513 | Purple/Blue |
| SMSR-BT2-356 | SMSR-BF2-356 | 900 | 1-1/2 | 600 | Black |
| SMSR-BT2-356-142 | SMSR-BF2-356-142 | 1,170 | 1-1/2 | 780 | Black/Blue |
| SMSR-BT2-356-176 | SMSR-BF2-356-176 | 1,500 | 1-1/2 | 1,000 | Black/Black |
| SMSR-BT2-356-144 | SMSR-BF2-356-144 | 1,700 | 1-1/2 | 1,133 | Black/Brown |
| SMSR-BT2-356-146 | SMSR-BF2-356-146 | 2,600 | 1-1/2 | 1,733 | Black/Yellow |
| SMSR-BT2-356-148 | SMSR-BF2-356-148 | 3,150 | 1-1/4 | 2,520 | Black/Green |



Notes:

- 350 Spring: 3" Outside diameter x 5" Free Length.
- 140 Spring & 170 Spring: 2" Outside diameter x 5" Free Length.
- 400 Spring: 3" Outside diameter x 5.75" Free Length.
- 150 Spring: 2" Outside diameter x 5.75" Free Length.
- Rated load is the maximum load recommended.

2" DEFLECTION RESTRAINED SPRING MOUNTS

| Model | Rated Load (lbs) | Deflection at Rated Load (in) | Spring Rate (lbs/in) | Spring Color |
|------------------|------------------|-------------------------------|----------------------|--------------|
| SMSR-BT2-350 | 160 | 2 | 80 | Red |
| SMSR-BT2-350-140 | 320 | 2 | 160 | Red/Black |
| SMSR-BT2-403 | 696 | 2 | 348 | Black |
| SMSR-BT2-404 | 906 | 2 | 453 | Blue |
| SMSR-BT2-405 | 1,180 | 2 | 590 | Red |
| SMSR-BT2-406 | 1,352 | 2 | 676 | Orange |
| SMSR-BT2-407 | 1,574 | 2 | 787 | Green |
| SMSR-BT2-408 | 1,836 | 2 | 918 | White |
| SMSR-BT2-409 | 2,000 | 2 | 1,000 | Brown |
| SMSR-BT2-410 | 2,500 | 2 | 1,250 | White |
| SMSR-BT2-407-150 | 2,874 | 2 | 1,437 | Green/Grey |
| SMSR-BT2-409-150 | 3,300 | 2 | 1,650 | Brown/Grey |
| SMSR-BT2-410-150 | 3,800 | 2 | 1,900 | White/Grey |

