

1" & 2" DEFLECTION SEISMIC RESTRAINED OPEN SPRING MOUNTS

SMSR-A/AF/AT mounts are designed to provide efficient isolation from critical vibrations and all-directional restraint from vertical and horizontal forces, as well as from forces due to seismic activities and high wind loads.

There are three available configurations:

SMSR-A: top with a bracket and inside leveling adjustment feature

SMSR-AF: flat top and inside leveling adjustment feature

SMSR-AT: bolt top with leveling adjustment feature

Recommended for:

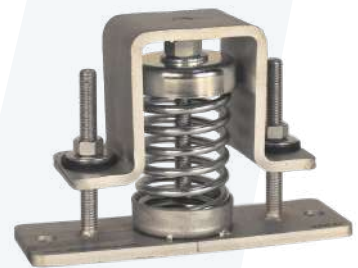
HVAC equipment, fan air circulation systems, compressors, pumps, chillers, AC, cooling towers, inertia bases, etc.



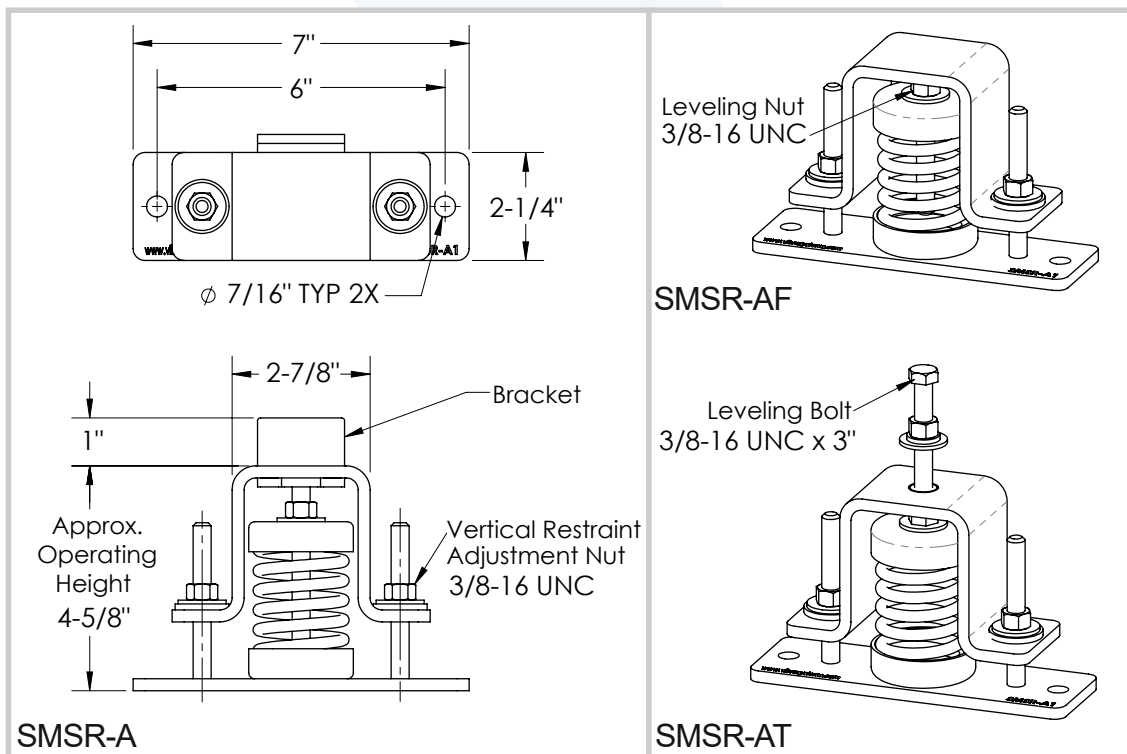
SMSR-A



SMSR-AT



SMSR-AF



SMSR-A

SMSR-AT

Features:

- ✓ All springs at rated loads have 50% additional travel to solid load.
- ✓ All mounts' elements are safe at solid load.
- ✓ Safety Factor - Springs will accommodate 50% extra load from rated load to solid load. **
- ✓ Recommended load range: from 50% of rated load to rated load.
- ✓ Zinc plated housing provides good corrosion resistance.
- ✓ Rugged welded steel housing designed to withstand seismic and high wind forces.
- ✓ Springs are color-coded and baked enamel painted.

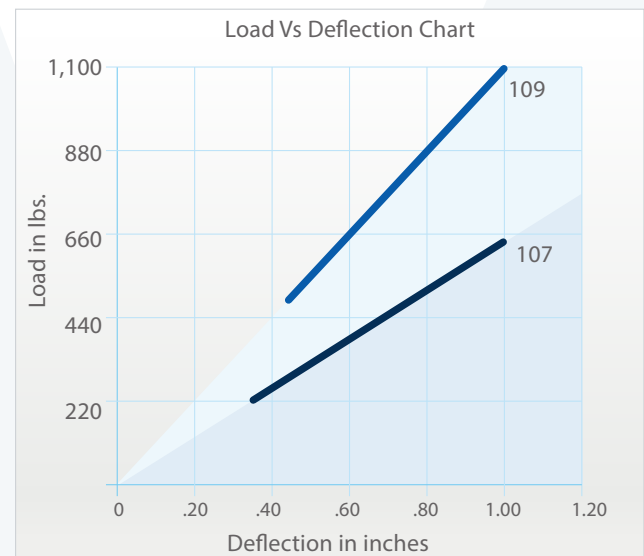
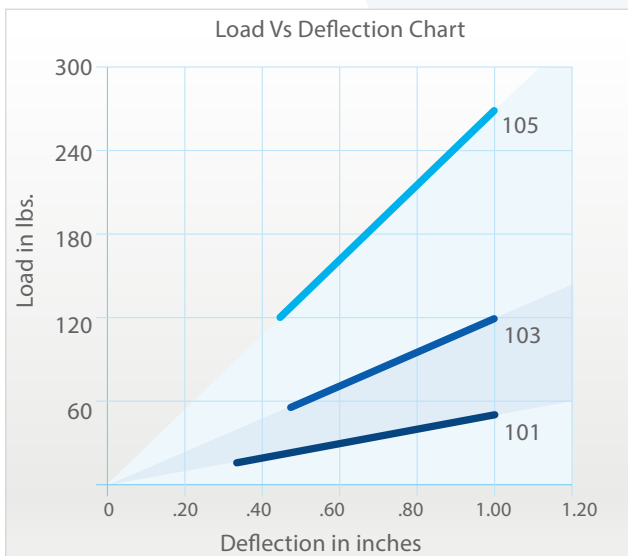
1" DEFLECTION SEISMIC RESTRAINED OPEN SPRING MOUNTS

Model			Rated Load (lbs)	Deflection at Rated Load (lin)	Spring Rate (lbs/in)	Max. Vertical G Rating	Max. Horiz. G Rating	Spring Color
SMSR-A-101	SMSR-AF-101	SMSR-AT-101	50	1	50	33.2	16	Black
SMSR-A-103	SMSR-AF-103	SMSR-AT-103	120	1	120	13.8	6.7	Blue
SMSR-A-105	SMSR-AF-105	SMSR-AT-105	270	1	270	6.1	3	Brown
SMSR-A-107	SMSR-AF-107	SMSR-AT-107	650	1	650	2.5	1.2	Yellow
SMSR-A-109	SMSR-AF-109	SMSR-AT-109	1,100	1	1,100	1.5	0.7	Green

The load capacities are LRFD (Load and Resistance Factor Design) load level prescribed in American Society of Civil Engineers ASCE 7-10 and listed in the table.

Max. Horizontal: 800 lbs

Max. Vertical: 1,660 lbs



Notes:

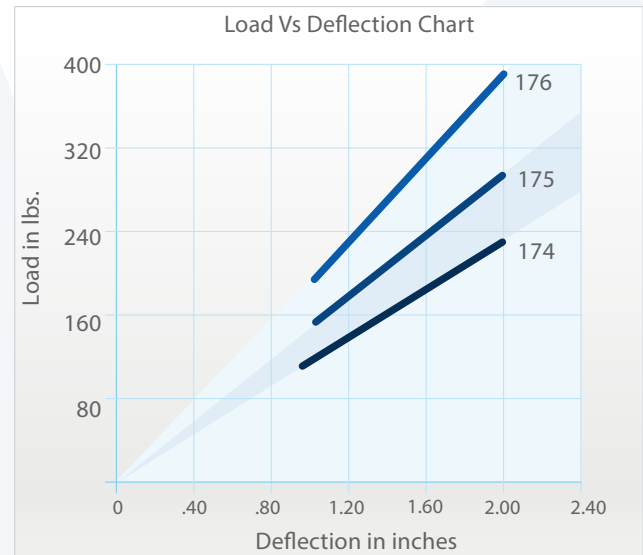
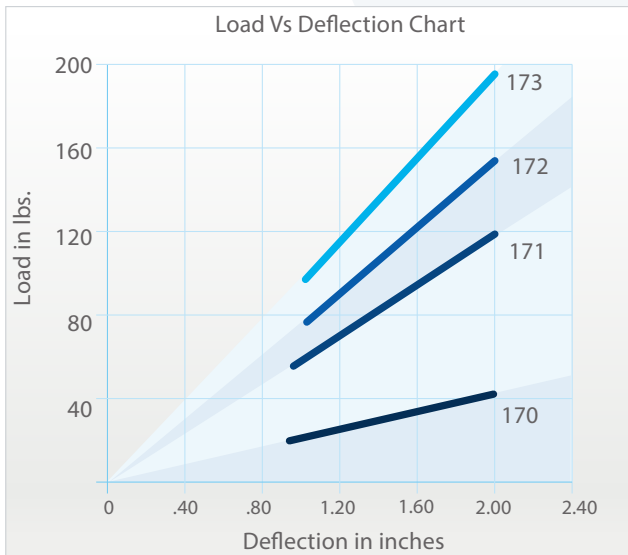
- a) 100 Spring: 2" Outside diameter x 4" Free Length.
- b) Rated load is the maximum load recommended.
- c) Anti-skid rubber acoustical pad can be provided upon request.
- ** Spring 109 at rated load has 40% additional travel to solid load.

2" DEFLECTION SEISMIC RESTRAINED OPEN SPRING MOUNTS

Model			Rated Load (lbs)	Deflection at Rated Load (lin)	Spring Rate (lbs/in)	Max. Vertical G Rating	Max. Horiz. G Rating	Spring Color
SMSR-A-170	SMSR-AF-170	SMSR-AT-170	43	2	21.5	38.6	18.6	Blue
SMSR-A-171	SMSR-AF-171	SMSR-AT-171	120	2	60	13.8	6.7	Red
SMSR-A-172	SMSR-AF-172	SMSR-AT-172	155	2	77.5	10.7	5.2	Orange
SMSR-A-173	SMSR-AF-173	SMSR-AT-173	195	2	97.5	8.5	4.1	Green
SMSR-A-174	SMSR-AF-174	SMSR-AT-174	236	2	118	7	3.4	White
SMSR-A-175	SMSR-AF-175	SMSR-AT-175	300	2	150	5.5	2.7	Brown
SMSR-A-176	SMSR-AF-176	SMSR-AT-176	395	2	197.5	4.2	2	Black

The load capacities are LRFD (Load and Resistance Factor Design) load level prescribed in American Society of Civil Engineers ASCE 7-10 and listed in the table.

Max. Horizontal: 800 lbs
Max. Vertical: 1,660 lbs



Notes:

- a) 170 Spring: 2" Outside diameter x 5" Free Length.
- b) Rated load is the maximum load recommended.
- c) Anti-skid rubber acoustical pad can be provided upon request.