

## 2" & 3" DEFLECTION SEISMIC RESTRAINED OPEN SPRING MOUNTS

SMSR-2-BF/BT mounts are designed to provide efficient isolation from critical vibrations and all-directional restraint from vertical and horizontal forces, as well as from forces due to seismic activities and high wind loads. There are two available configurations:

SMSR-2-BF: flat top, and inside leveling adjustment feature

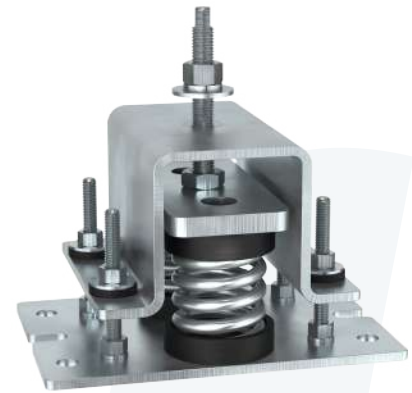
SMSR-2-BT: bolt top with leveling adjustment feature

### Recommended for:

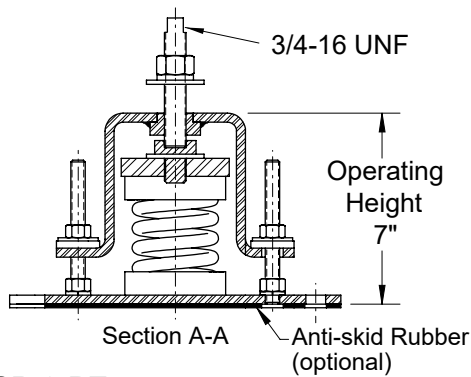
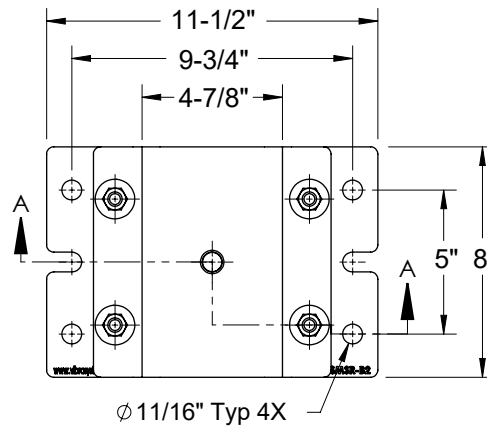
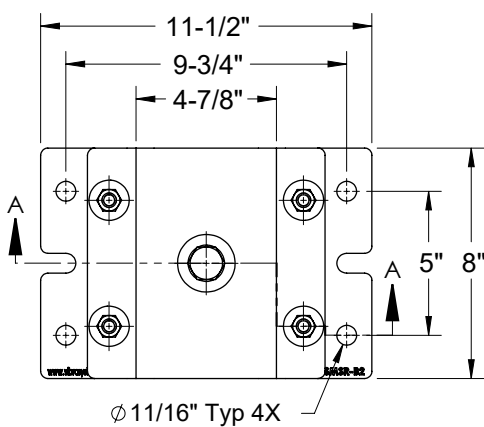
HVAC equipment, fan air circulation systems, compressors, pumps, chillers, AC units, cooling towers, inertia bases, etc.



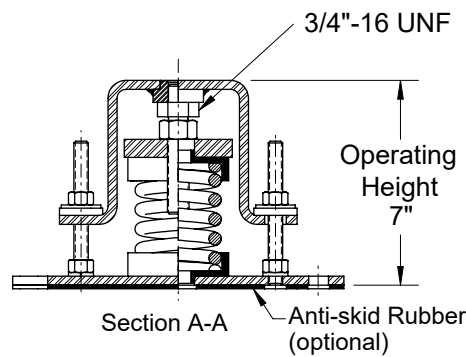
SMSR-2-BF



SMSR-2-BT



SMSR-2-BT



SMSR-2-BF

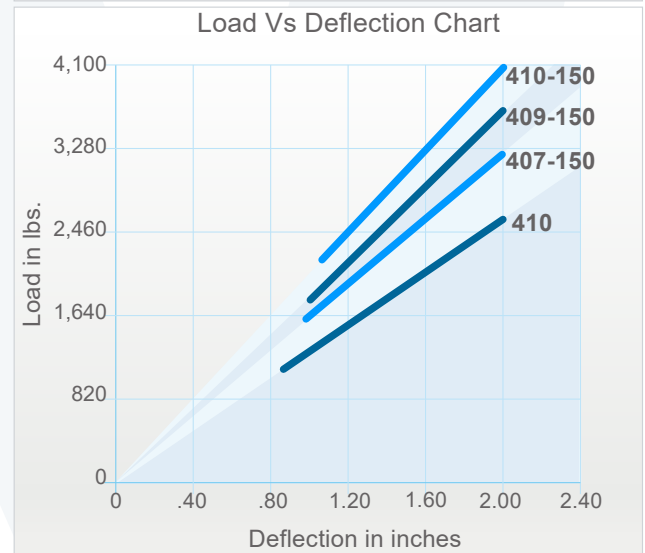
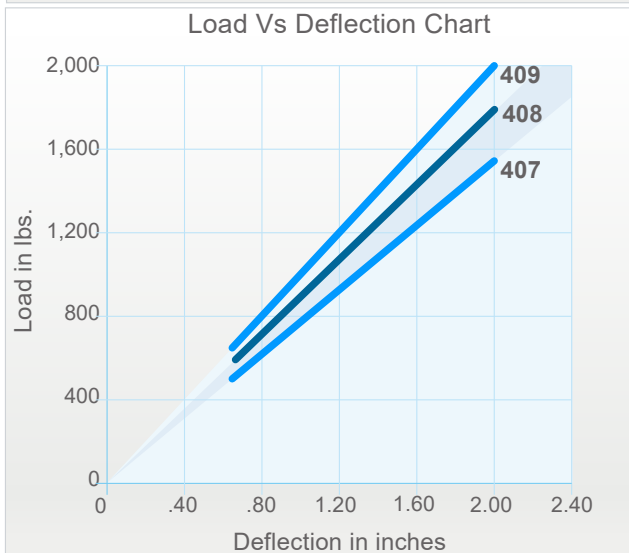
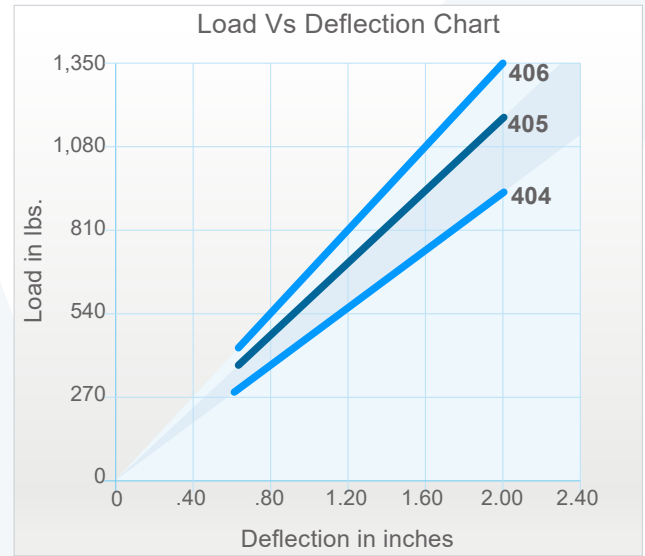
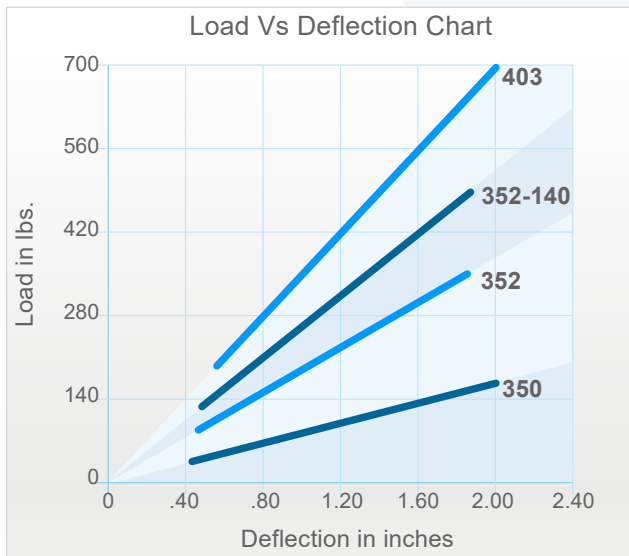
### Features:

- ✓ All springs at rated loads have 50% additional travel to solid load.
- ✓ All mounts' elements are safe at solid load.
- ✓ Safety Factor - Springs will accommodate 50% extra load from rated load to solid load.
- ✓ Springs are color coded and easily replaceable.
- ✓ Zinc plates housings and springs provide good corrosion resistance.
- ✓ Elastomer spring base cap provides better vibration isolation, load distribution and noise reduction.
- ✓ Rugged welded steel housing designed to withstand seismic and high wind forces.

## 2" DEFLECTION SEISMIC RESTRAINED SPRING MOUNTS

Model	Rated Load (lbs)	Deflection at Rated Load (lin)	Spring Rate (lbs/in)	Spring Color
SMSR-2-350	160	2	80	Red
SMSR-2-352	360	1.8	200	Plated
SMSR-2-352-140	500	1.8	250	Plated/Black
SMSR-2-403	696	2	348	Black
SMSR-2-404	906	2	453	Blue
SMSR-2-405	1,180	2	590	Red
SMSR-2-406	1,352	2	676	Orange
SMSR-2-407	1,574	2	787	Green
SMSR-2-408	1,836	2	918	White
SMSR-2-409	2,000	2	1,000	Brown
SMSR-2-410	2,500	2	1,250	White
SMSR-2-407-150	3,174	2	1,587	Green/Grey
SMSR-2-409-150	3,600	2	1,800	Brown/Grey
SMSR-2-410-150	4,100	2	2,050	White/Grey

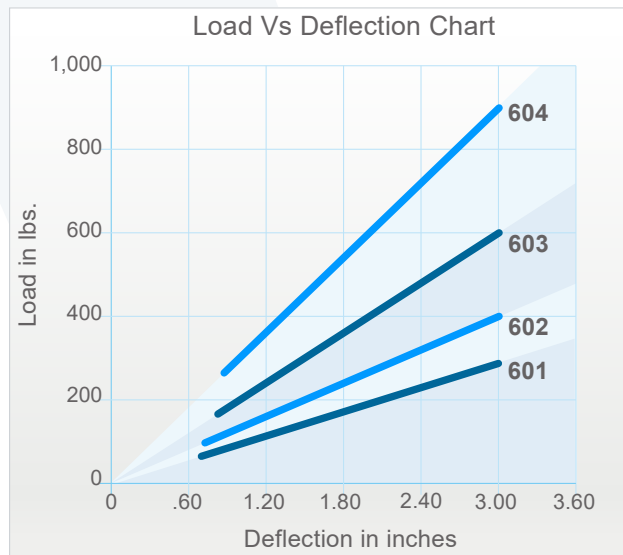
Models are available in two configurations: SMSR-2-BF, and SMSR-2-BT.



## 3" DEFLECTION SEISMIC RESTRAINED SPRING MOUNTS

Model	Rated Load (lbs)	Deflection at Rated Load (lin)	Spring Rate (lbs/in)	Spring Color
SMSR-2-601	280	3	93	Blue
SMSR-2-602	400	3	133	Yellow
SMSR-2-603	600	3	200	Orange
SMSR-2-604	900	3	300	Red

Models are available in two configurations: SMSR-2-BF, and SMSR-2-BT.



### Notes:

- a) 350 Spring: 3" Outside diameter x 5" Free Length.
- b) 140 Spring & 170 Spring: 2" Outside diameter x 5" Free Length.
- c) 400 Spring: 3" Outside diameter x 5.75" Free Length.
- d) 150 Spring: 2" Outside diameter x 5.75" Free Length.
- e) 600 Spring: 3" Outside diameter x 6.75" Free Length
- f) Rated load is the maximum load recommended.
- g) Anti-skid rubber acoustical Pad can be provided upon request.