

3" DEFLECTION SEISMIC RESTRAINED SPRING MOUNTS

SMR-4-500 series mounts are heavy-duty seismic restrained mounts that are designed to withstand lateral loads in combination with vertical loads. There are two available configurations:

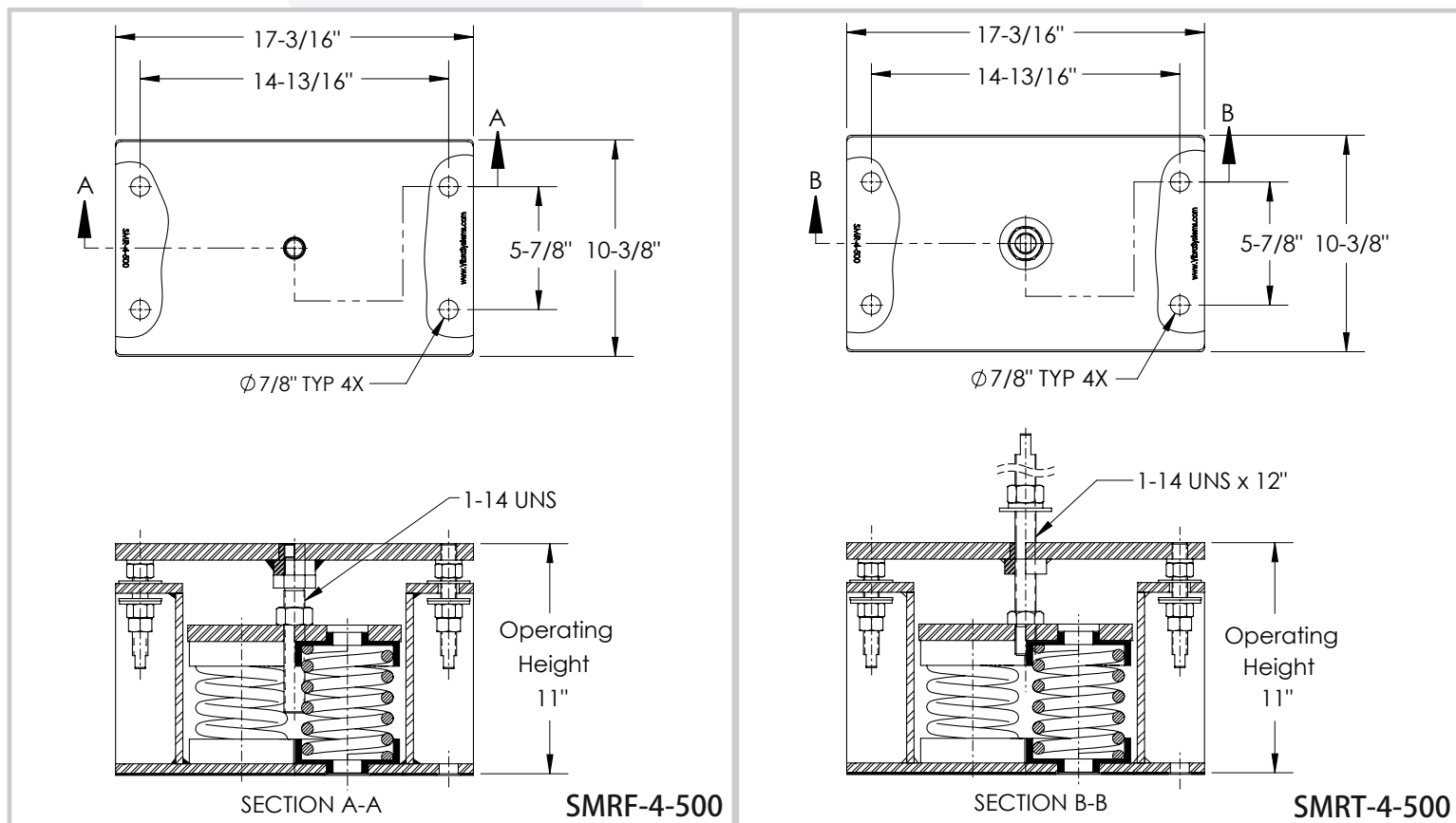
SMRF: Flat top with an inside leveling adjustment feature

SMRT: Top bolt with leveling adjustment feature



Recommended for:

HVAC equipment, fan air circulation systems, compressors, pumps, chillers, AC units, cooling towers, inertia bases, etc.

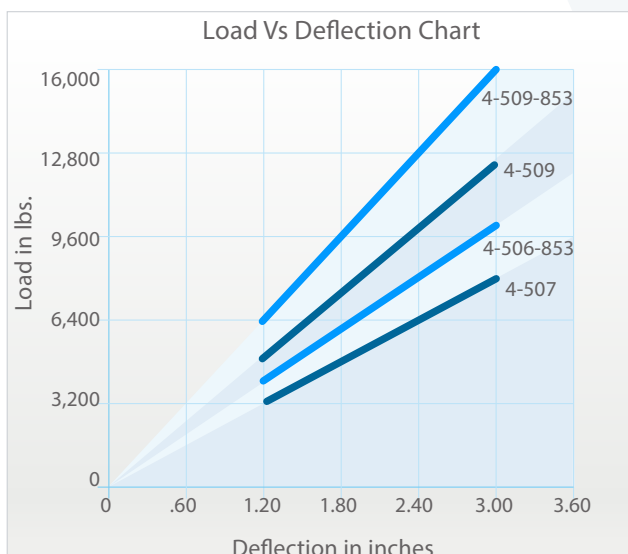
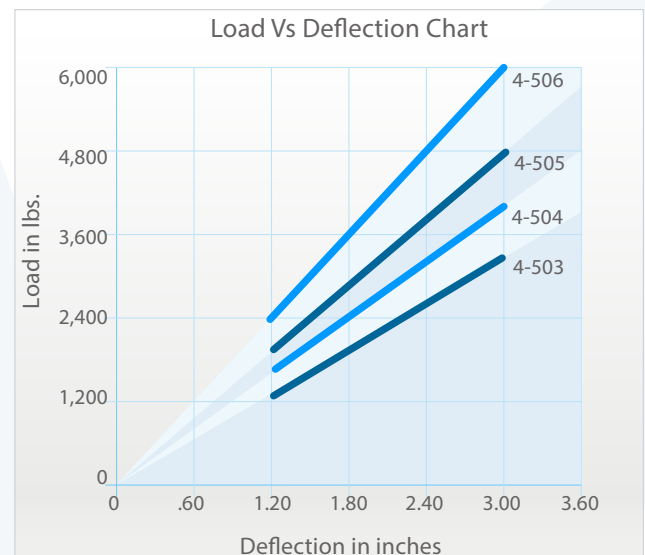
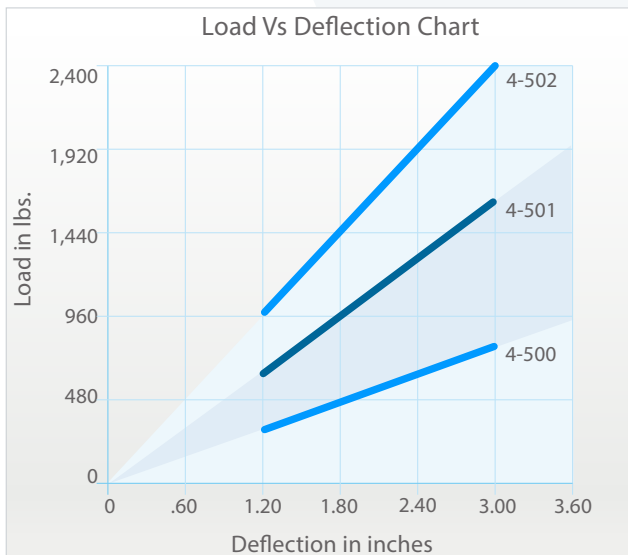


Features:

- ✓ All springs at rated load have 50% additional travel to solid load.
- ✓ All mounts' elements are safe at solid load.
- ✓ Safety Factor - Springs will accommodate 50% extra load from rated load to solid load.
- ✓ Recommended load range: from 50% of rated load to rated load.
- ✓ Springs are powder coated.
- ✓ Hot-dip galvanized housing provides excellent corrosion resistance.
- ✓ Elastomer base & top cups provide better vibration isolation, load distribution, and noise reduction.
- ✓ Springs are color coded for easy field identification.
- ✓ Rugged welded steel housing designed to withstand seismic and high wind forces.
- ✓ Anti-skid rubber acoustical pad.

3" DEFLECTION SEISMIC RESTRAINED SPRING MOUNTS

Model	Rated Load (lbs)	Deflection at Rated Load (in)	Spring Rate (lbs/in)	Max. G rating	Spring Color	
SMRT-4-500	SMRF-4-500	800	3	266.7	-	Black
SMRT-4-501	SMRF-4-501	1,600	3	533.3		Blue
SMRT-4-502	SMRF-4-502	2,400	3	800		Yellow
SMRT-4-503	SMRF-4-503	3,200	3	1,066.7		Orange
SMRT-4-504	SMRF-4-504	4,000	3	1,333.3		Red
SMRT-4-505	SMRF-4-505	4,800	3	1,600		White
SMRT-4-506	SMRF-4-506	6,000	3	2,000		Brown
SMRT-4-507	SMRF-4-507	8,000	3	2,666.7		Green
SMRT-4-506-853	SMRF-4-506-853	10,000	3	3,333.3		Brown/Grey
SMRT-4-509	SMRF-4-509	12,000	3	4,000		Grey
SMRT-4-509-853	SMRF-4-509-853	16,000	3	5,333.3		Grey/Grey



Notes:

- a) Rated load is the maximum load recommended.
- b) 500 Springs: 4.4" Outside diameter x 8.5" Free Length.
- c) 853 Spring: 3" Outside diameter x 8.5" Free Length.
- d) Model nomenclature is described below.

SMRF-4-507

