

3" DEFLECTION SEISMIC RESTRAINED SPRING MOUNTS

SMR-1-500 series mounts are heavy-duty seismic restrained mounts that are designed to withstand lateral loads in combination with vertical loads. There are two available configurations:

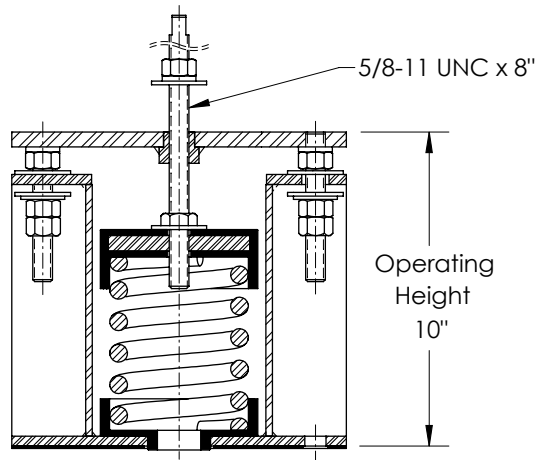
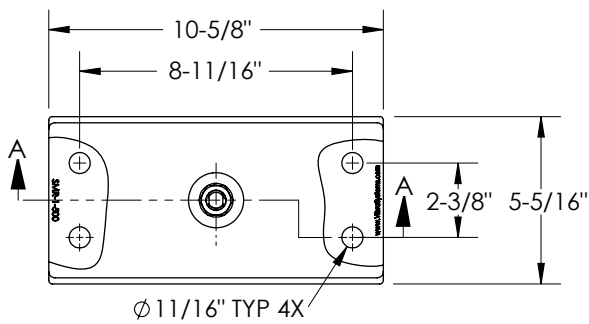
SMRF: Flat top with an inside leveling adjustment feature

SMRT: Top bolt with leveling adjustment feature



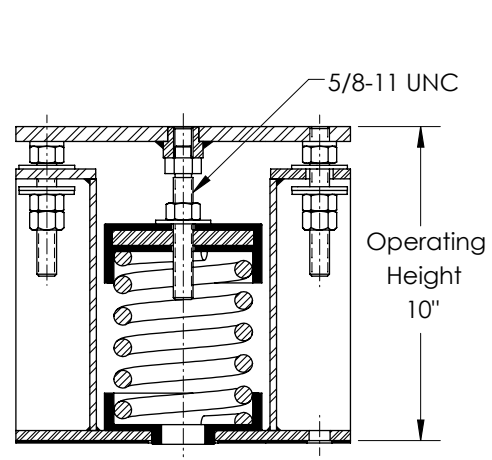
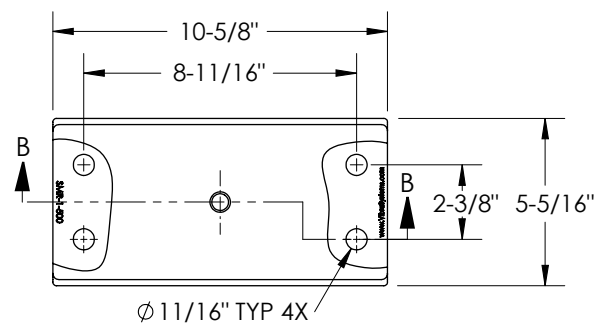
Recommended for:

HVAC equipment, fan air circulation systems, compressors, pumps, chillers, AC units, cooling towers, inertia bases, etc.



SECTION A-A

SMRT-1-500



SECTION B-B

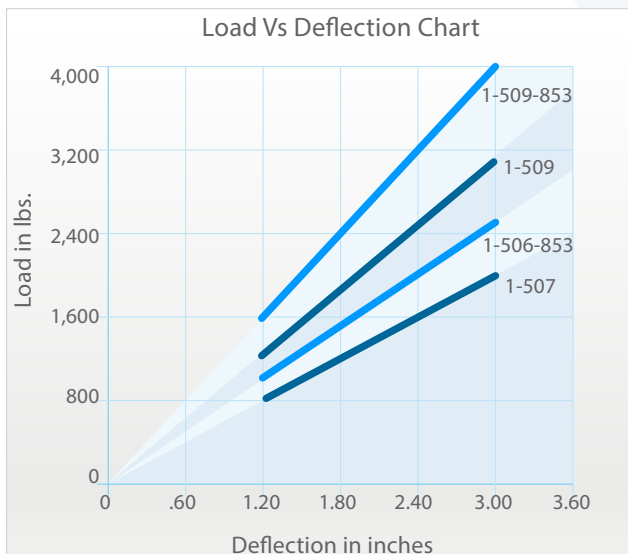
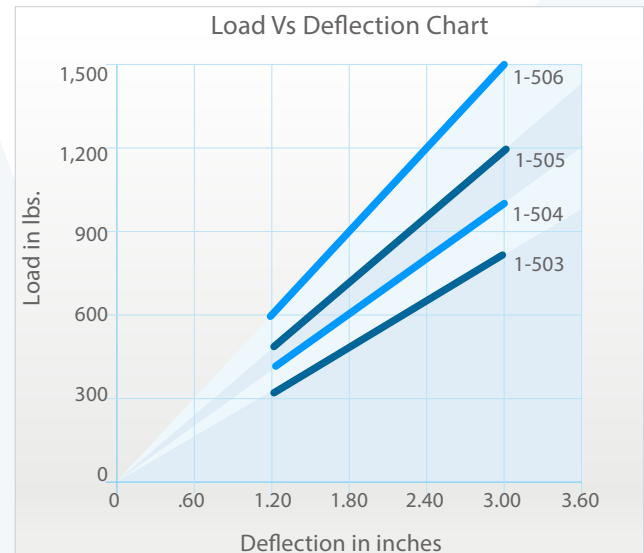
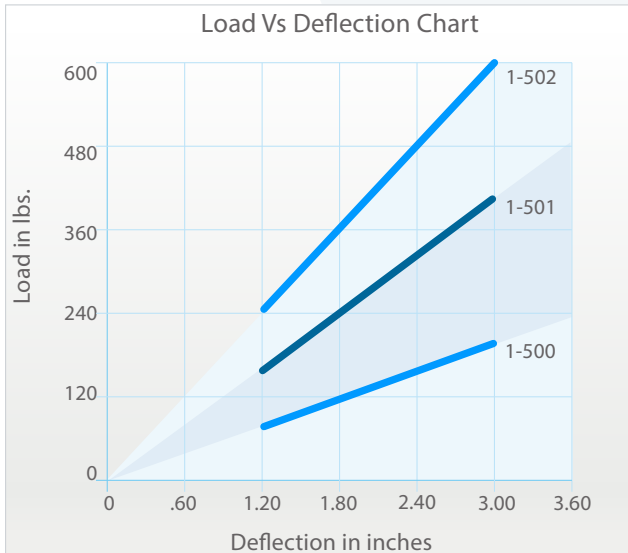
SMRF-1-500

Features:

- ✓ All springs at rated load have 50% additional travel to solid load.
- ✓ All mounts' elements are safe at solid load.
- ✓ Safety Factor - Springs will accommodate 50% extra load from rated load to solid load.
- ✓ Recommended load range: from 50% of rated load to rated load.
- ✓ Springs are powder coated.
- ✓ Hot-dip galvanized housing provides excellent corrosion resistance.
- ✓ Elastomer base & top cups provide better vibration isolation, load distribution, and noise reduction.
- ✓ Springs are color coded for easy field identification.
- ✓ Rugged welded steel housing designed to withstand seismic and high wind forces.
- ✓ Anti-skid rubber acoustical pad.

3" DEFLECTION SEISMIC RESTRAINED SPRING MOUNTS

Model	Rated Load (lbs)	Deflection at Rated Load (in)	Spring Rate (lbs/in)	Max. G rating	Spring Color	
SMRT-1-500	SMRF-1-500	200	3	66.7	-	Black
SMRT-1-501	SMRF-1-501	400	3	133.3		Blue
SMRT-1-502	SMRF-1-502	600	3	200		Yellow
SMRT-1-503	SMRF-1-503	800	3	266.7		Orange
SMRT-1-504	SMRF-1-504	1,000	3	333.3		Red
SMRT-1-505	SMRF-1-505	1,200	3	400		White
SMRT-1-506	SMRF-1-506	1,500	3	500		Brown
SMRT-1-507	SMRF-1-507	2,000	3	666.7		Green
SMRT-1-506-853	SMRF-1-506-853	2,500	3	833.3		Brown/Grey
SMRT-1-509	SMRF-1-509	3,000	3	1,000		Grey
SMRT-1-509-853	SMRF-1-509-853	4,000	3	1,333.3		Grey/Grey



Notes:

- a) Rated load is the maximum load recommended.
- b) 500 Springs: 4.4" Outside diameter x 8.5" Free Length.
- c) 853 Spring: 3" Outside diameter x 8.5" Free Length.
- d) Model nomenclature is described below.

SMRF-1-507

