

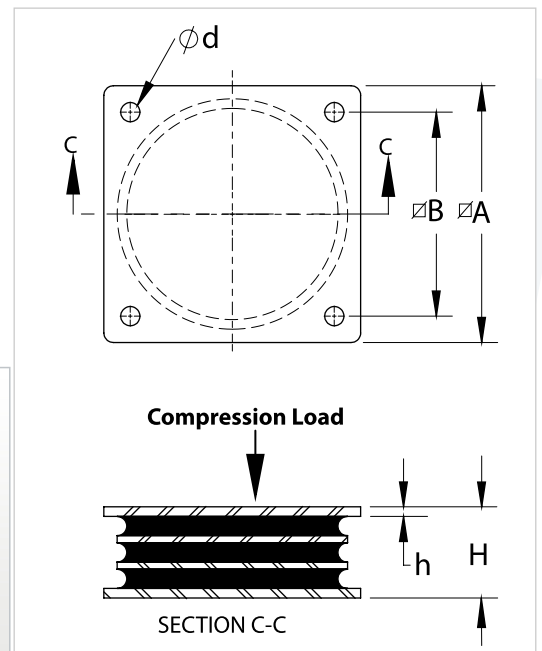
COMPRESSION SHEAR MOUNTS

SML multi-layer mount is made of a rubber elastomer compound securely bonded with 4 metal plates. Both upper and lower plates have four equipment mounting holes. This design reduces deflection under vertical load with increased stability when horizontal forces are applied. The SML mounts have a unique ability to withstand shear loads of up to a maximum of 40% of compression load in combination where vertical load applied. Two mounts can be stacked to provide additional deflection under vertical loads, which considerably reduces the maximum allowable shear force.



Recommended for:

Heavy-duty industrial equipment, steel mills, vibratory screens, crushers, shakers, horizontal injection molding systems, hoppers, feeders, mining and quarry equipment, construction system supports, columns, etc.

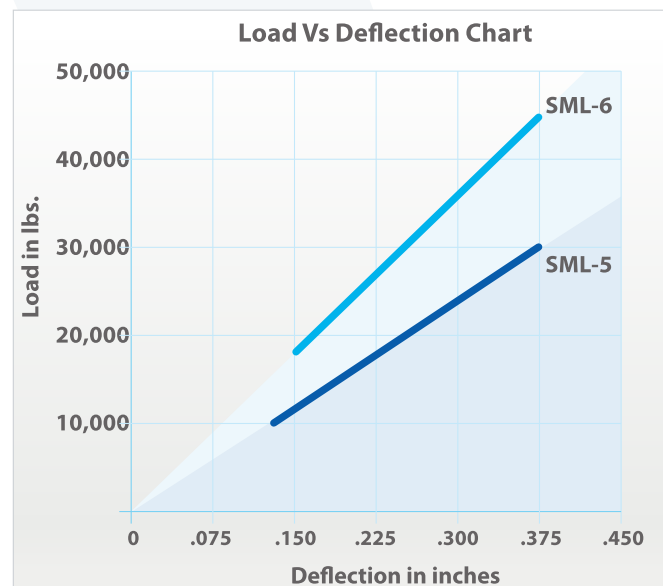
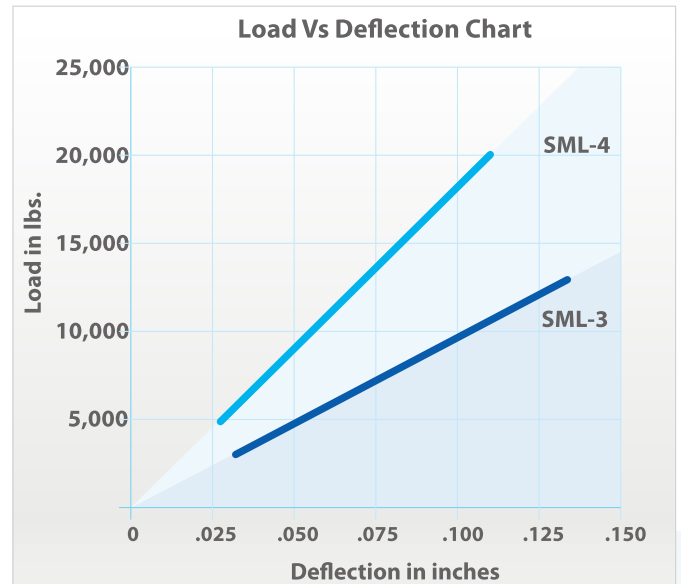
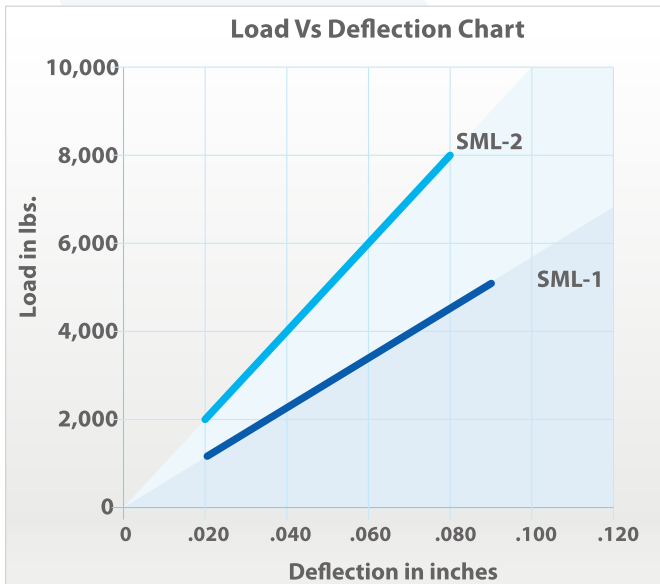


Features:

- ✓ Multi-layer design to reduce deflection of mount under loads.
- ✓ Mounts can withstand shear loads of up to a maximum of 40% of vertical compression load.
- ✓ Low height and low shear stiffness.
- ✓ High dynamic rubber compound and high compressive stiffness.

Model	Maximum Compression Load		Mount Dimensions in inches (in)				
	Non-Impact (lbs)	Impact (lbs)	A	B	H	h	d
SML-1	5,000	3,500	5-7/8	4-5/8	2	1/4	5/8
SML-2	8,000	5,500	5-7/8	4-5/8	2	1/4	5/8
SML-3	13,000	9,000	8-3/4	6-3/4	3-1/4	3/8	3/4
SML-4	20,000	14,000	8-3/4	6-3/4	3-1/4	3/8	3/4
SML-5	30,000	20,000	12-1/4	10-5/8	4-3/4	3/8	7/8
SML-6	45,000	30,000	12-1/4	10-5/8	4-3/4	3/8	7/8

COMPRESSION SHEAR MOUNTS



Notes:

- a) For marine, offshore, and other corrosive environments mounts are made of 316L stainless steel and EPDM compound.
- b) For food, pharmaceutical, and hygiene critical applications mounts are made of 304 stainless steel and food grade rubber compounds.
- c) Contact Vibrasystems Inc technical department for optimal material selection.
- d) Custom-made mounts up to 100,000 lbs are available upon request.

