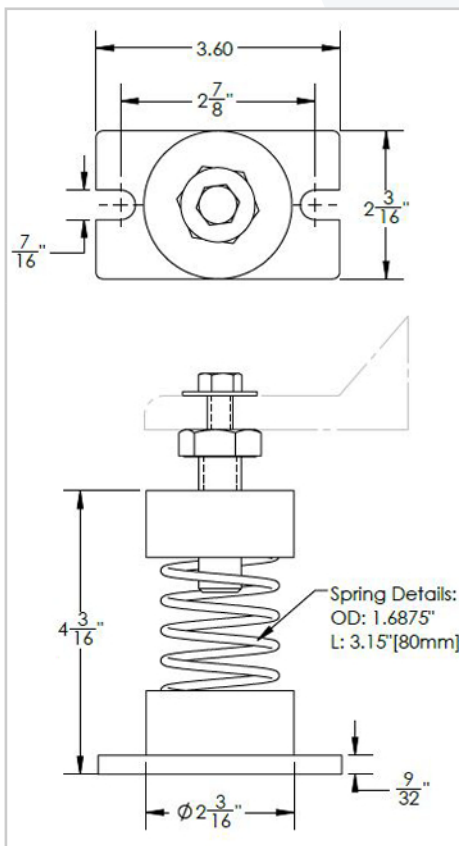


SPRING MOUNTS



SMA-Open Spring Mounts

SMA series open spring mounts are designed with built-in leveling bolt assembly, and recommended for installation of equipment such as pumps, fans, AC and air circulation units, compressors and other MSC. fixtures.

Features:

- ✓ **The bottom plate features a neoprene acoustical friction pad.**
- ✓ **Springs are made from high quality spring steel and are color coded for easy field identification.**
- ✓ **Top and bottom cups are made from natural rubber.**
- ✓ **Springs have additional travel to solid load beyond rated load.**

| Model | Maxium Load (lbs) | Deflection at Maximum Load | Solid Load (lbs) | Deflection at Solid Load (in) | Spring Colour |
|--------|-------------------|----------------------------|------------------|-------------------------------|---------------|
| SMA-10 | 35 | 1.0 | 70 | 2.2 | Black |
| SMA-20 | 45 | 1.0 | 90 | 2.0 | Pink |
| SMA-50 | 90 | .75 | 180 | 1.5 | Blue |

