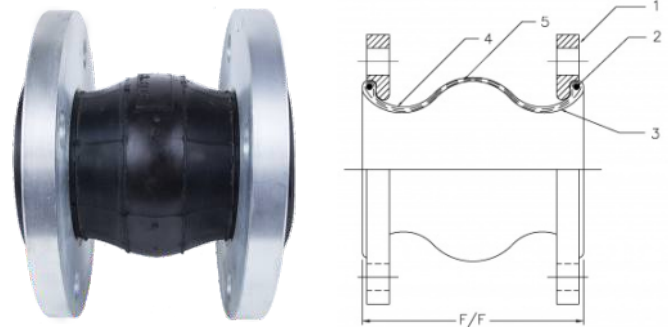


FEATURES

- Applicable for suction and delivery (discharge).
- Provides sound and vibration isolation.
- Gaskets and packing are not required.
- Floating flanges allow for easy installation.
- Prevents piping system and equipment breakdown by absorbing elongation and contraction caused by temperature variances.
- Absorbs water pulsation and minimizes water hammering.

APPLICATIONS

- Pumps & air compressors in air conditioning system & sanitary equipment.
- Refrigeration systems and blowers in industrial plant equipment.
- Feed-water and drainage equipment in marine piping systems.
- Applicable for use in power generation and chemical plants.
- Marine applications



Operating Conditions

Size Range	1-1/2"-24"
Operating Pressure	up to 290 psi - 20 bar
Operating Temp. Range*	14°-170°F / -10°-77°C (NEO) 14°-239°F / -10°-115°C (EPDM)
Test Pressure	435 psi - 30 bar
Vacuum Rating*	Contact Easyflex

Note: Also Available in 145/232 psi - 10/16 bar.

Materials

Part	Part Description	Material
1	Flanges	Carbon Steel (Zinc Electroplated / Powder Coated)
2	Reinforcing Fabric	Nylon
3	Reinforcing Wire	Mild Steel
4	Tube/Cover	NEO/EPDM
5	Strengthening Ring	Mild Steel Plated / SS304

DIMENSION & ALLOWABLE MOVEMENTS

Size Inches	Size mm	Face To Face Dimensions Inches	Face To Face Dimensions mm	Ø B.H.C. PN 10 Inches	Ø B.H.C. PN 10 mm	Ø B.H.C. PN 16 Inches	Ø B.H.C. PN 16 mm	Allowable Motion Ratings* Compression	Allowable Motion Ratings* Elongation	Allowable Motion Ratings* Lateral	Allowable Motion Ratings* Angular	Installation Tolerances Compression
1-1/2	40	6	152.4	4.3	110			1/2"	3/8"	1/2"	15°	3/16"
2	50	6	152.4	1.9	125			1/2"	3/8"	1/2"	15°	3/16"
2-1/2	65	6	152.4	5.7	145			1/2"	3/8"	1/2"	15°	3/16"
3	80	6	152.4	6.3	160			1/2"	3/8"	1/2"	15°	3/16"
4	100	6	152.4	7.1	180			5/8"	3/8"	1/2"	15°	3/16"
5	125	6	152.4	8.3	210			5/8"	3/8"	1/2"	15°	3/16"
6	150	6	152.4	9.5	240			5/8"	3/8"	1/2"	15°	3/16"
8	200	6	152.4	11.6	295	12	295	5/8"	3/8"	1/2"	15°	3/16"
10	250	8	203.2	13.8	350	14	355	5/8"	1/2"	3/4"	15°	3/16"
12	300	8	203.2	15.8	400	16	410	3/4"	1/2"	3/4"	15°	3/16"
14	350	8	203.2	18.1	460	19	470	3/4"	1/2"	3/4"	15°	3/16"
16	400	8	203.2	20.3	515	21	525	3/4"	1/2"	3/4"	15°	3/16"
18	450	8	203.2	22.2	565	23	585	3/4"	1/2"	3/4"	15°	3/16"
20	500	8	203.2	24.4	620	26	650	3/4"	1/2"	3/4"	15°	3/16"
24	600	10	254.0	28.5	725	30	770	3/4"	1/2"	3/4"	15°	3/16"

Note: Customized for flanges ANSI-150, ANSI-300 and DIN

Warning: Do NOT elongate rubber expansion joints when installing for suction service.