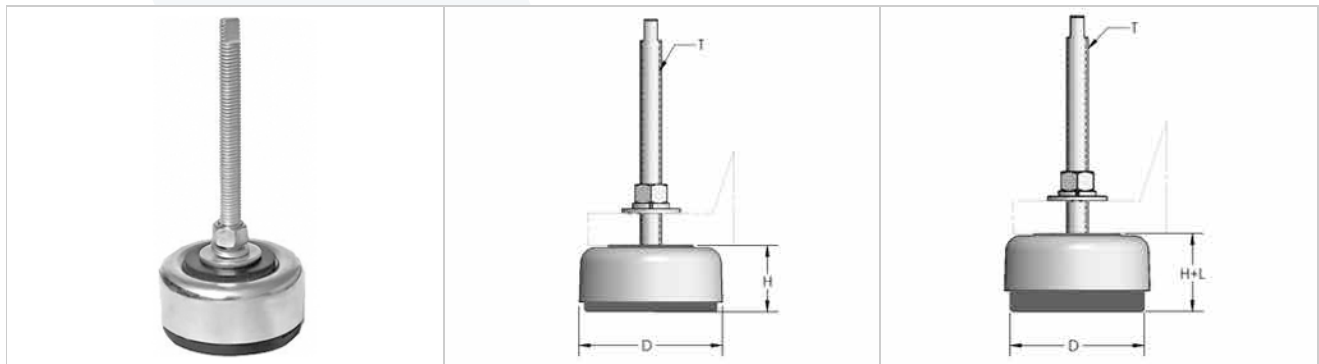


## NVS-Series

NVS mounts are specifically designed for compression loads applications, where leveling is required. Precision fitted neoprene inserts provide maximum dampening of shock and prevents transfer of vibration from equipment to support structures. Shear load should not exceed 10% of the maximum vertical load.



## Features:

- ✓ Built-in leveling device enables quick, easy and precise leveling of machinery.
- ✓ Effectively dampens vertical and horizontal forces.
- ✓ Controls vibration, shock and noise.
- ✓ Circular grooves on elastomer insert's base firmly anchor machine to the floor, preventing creeping or walking.
- ✓ Resistant to most oils and cleaning compounds.
- ✓ Economical, durable and saves on installation cost.

## Recommended for:

Lathes, milling machines, punch presses, heavy duty printing machinery, shears, brakes, injection molding machines, and grinders.

Model	Max Load (lbs)		Mount Dimensions (in)			
NVS	Non-Impact Machinery	Impact Machinery	Level Adj. L	Bolt Size T	D	H
NVS-1-50	750	500	3/8	1/2-13x6	3-3/8	1-1/2
NVS-1-70	1,500	1,000	3/8	1/2-13x6	3-3/8	1-1/2
NVS-2-50	3,000	2,000	1/2	5/8-11x8	5-5/8	2
NVS-2-70	4,500	3,000	1/2	5/8-11x8	5-5/8	2
NVS-3-50	10,000	6,700	5/8	1-14x8	9	2-1/4
NVS-4-70	15,000	10,000	5/8	1-14x8	9	2-1/4

