

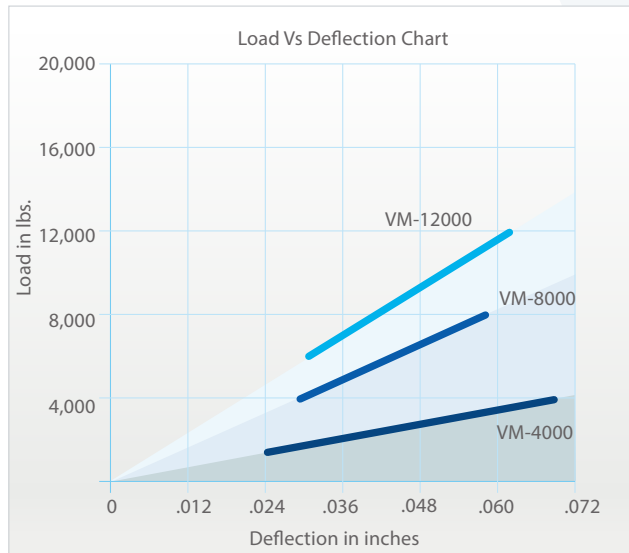
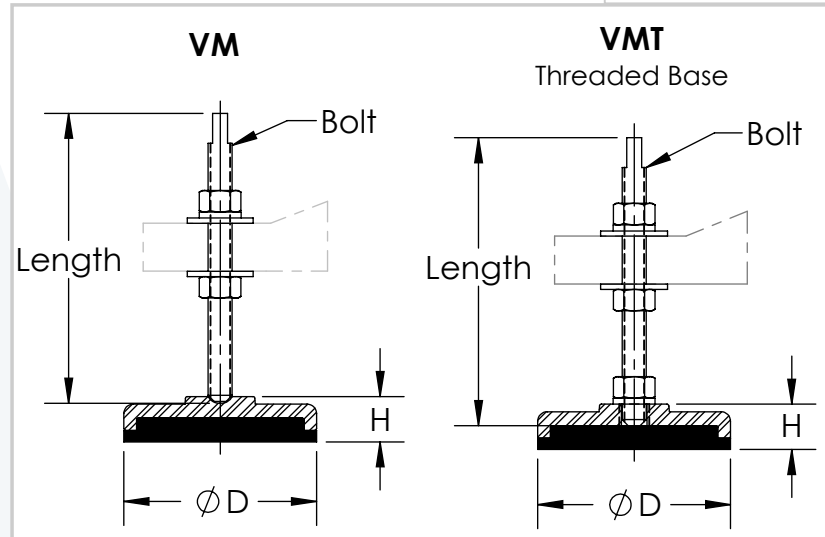
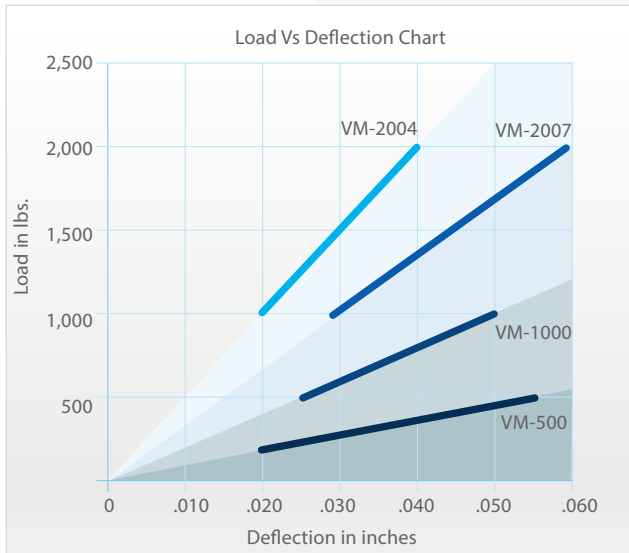
LEVELING MOUNTS

VM-VMT mounts are ideal for a wide range of installations where simple and precise leveling is required. Suction cell's elastomer pad is tightly fit in cast iron cavity and provides firm grip to the floor. VM mount is self-aligning without sacrifice to stability and compensates for slightly uneven floor. Load range of up to 12,000 lbs with leveling feature makes this mount very popular for numerous industrial applications.



Recommended for:

VM/VMT mounts can be installed under a wide range of industrial machinery and equipment, where simple and precise leveling is required.



Models		Non-Impact Machinery (lbs)	Impact Machinery (lbs)	Dimensions in inches		
				D	H	Bolt Size
VM-500	VMT-500	500	350	4	1	1/2-13 UNC X 6
VM-1000	VMT-1000	1,000	700	4	1	1/2-13 UNC X 6
VM-2004	VMT-2004	2,000	1,400	4	1	5/8-11 UNC X 8
VM-2007	VMT-2007	2,000	1,400	7	1-1/4	3/4-16 UNF X 6
VM-4000	VMT-4000	4,000	2,800	7	1-1/4	3/4-16 UNF X 6
VM-8000	VMT-8000	8,000	5,600	7	1-1/4	3/4-16 UNF X 6
VM-12075	VMT-12075	12,000	8,500	7	1-1/4	3/4-16 UNF X 6
VM-12100	VMT-12100	12,000	8,500	7	1-1/4	1-14 UNF X 8

Features:

- ✓ Controls vibration and noise.
- ✓ Resistant to most oils and cleaning compounds.
- ✓ Saves on installation costs; no anchoring required.
- ✓ Ideal for placement under equipment with a vertical load only