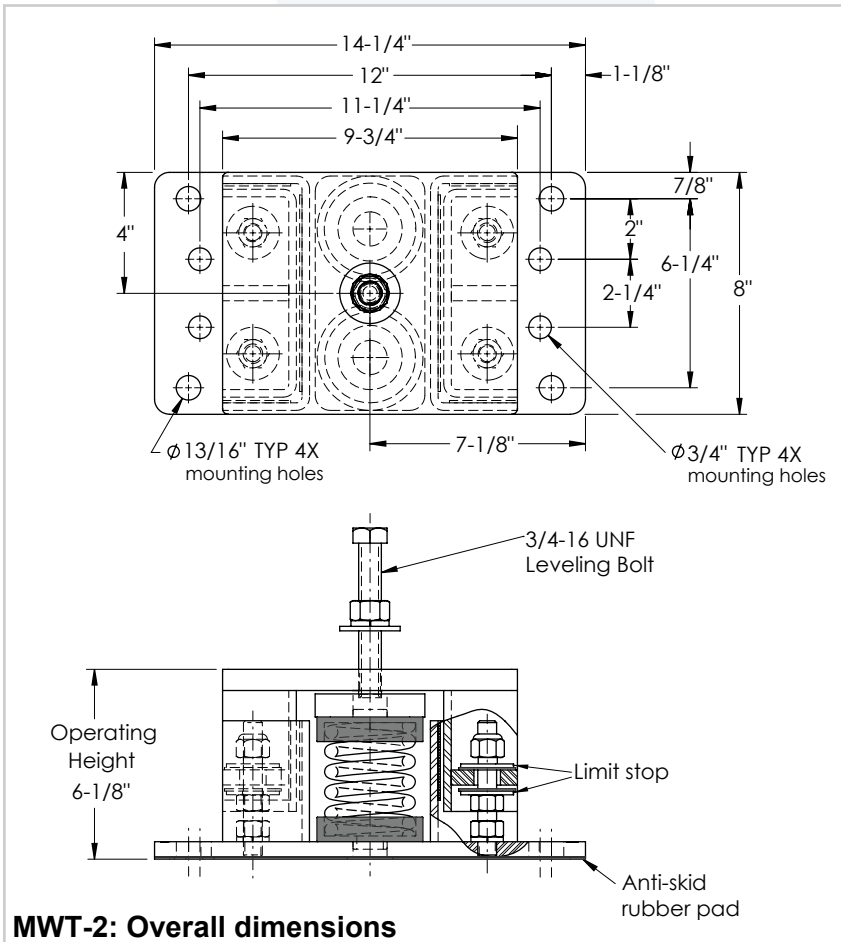


1", 2", & 3" DEFLECTION SEISMIC RESTRAINED SPRING MOUNT/SNUBBER

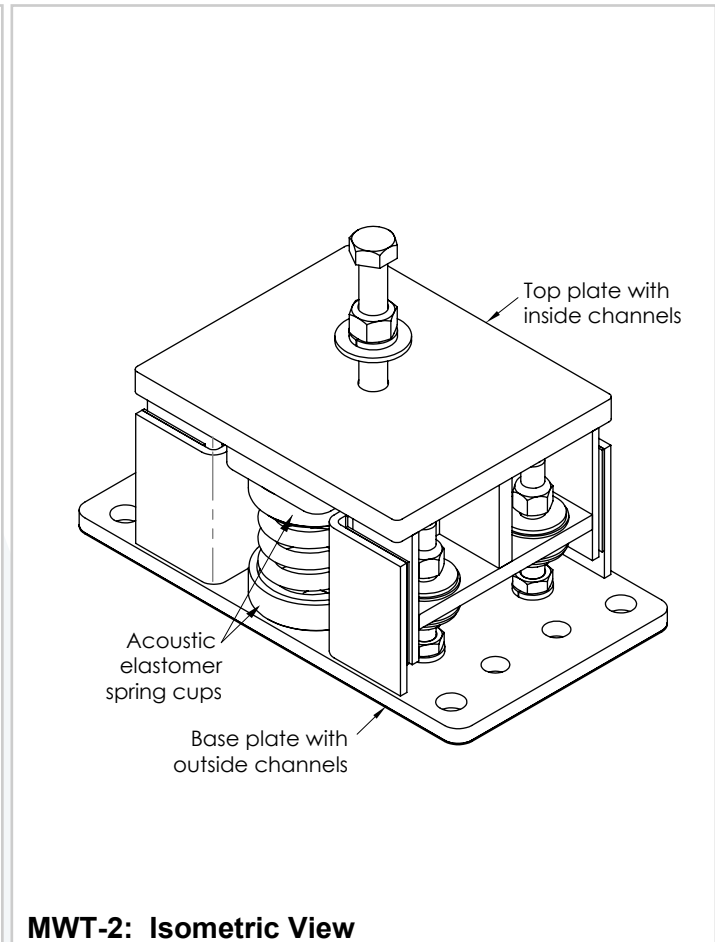
Models **MWT-2** are heavy-duty Seismic Restrained Spring Mounts - Snubbers Combination. The uniquely innovative design incorporates interlocking top and bottom steel channels, which restrict the movement (snubbers effect) in all horizontal directions under lateral forces. Rubber lining inside the metal channels prevents metal-to-metal contact.

Recommended for:

HVAC equipment, engine-generators (gensets), fan air circulation systems, compressors, pumps, chillers, AC units, cooling towers, inertia bases, etc.



MWT-2: Overall dimensions



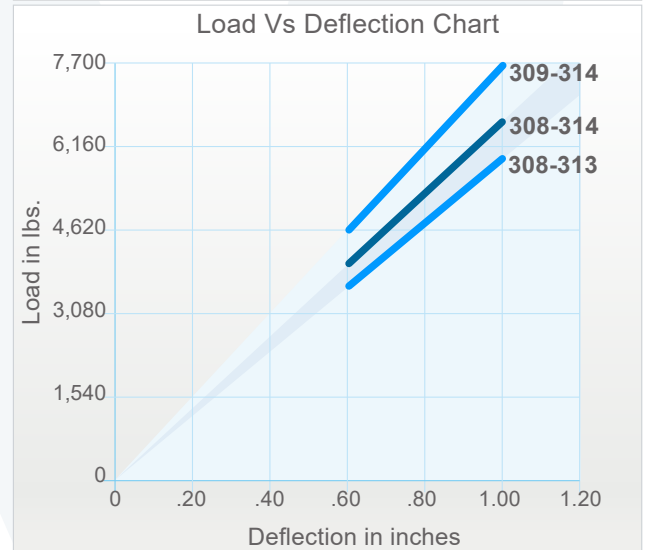
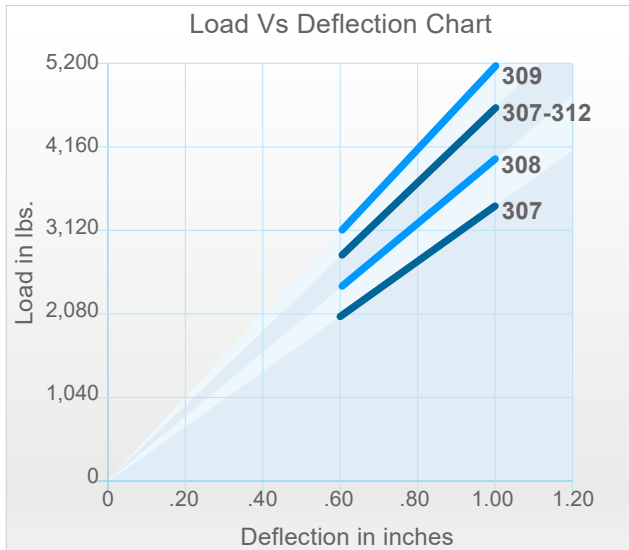
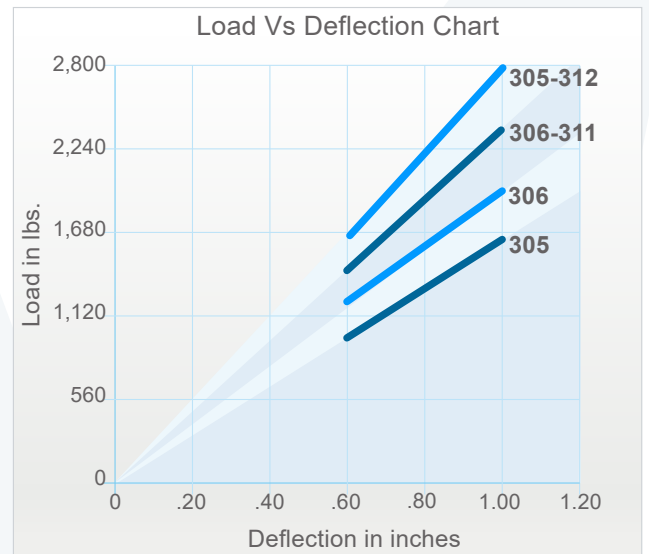
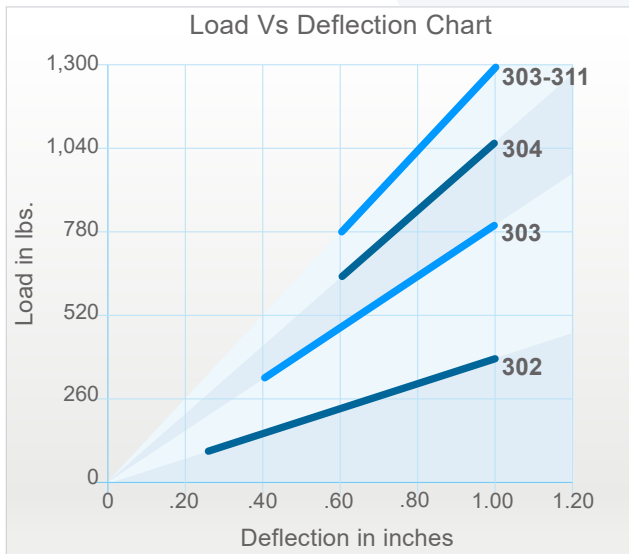
MWT-2: Isometric View

Features:

- ✓ Safety Factor: Springs will accommodate an additional 50% load from the rated load to the solid load.
- ✓ All spring mounts' elements are safe at solid load.
- ✓ Interlocking steel channels restrict the movements (snubbers) in all horizontal directions.
- ✓ Rubber lining inside metal channels prevents metal-to-metal contact.
- ✓ Limit stops prevent vertical movement due to wind and seismic activity (see installation instructions for details).
- ✓ Powder-coating of the housing and springs provides excellent corrosion resistance.
- ✓ Acoustic elastomer spring cups provide superior vibration isolation and noise reduction.
- ✓ Springs are color-coded and easily replaceable.
- ✓ Includes a bottom anti-skid rubber acoustical pad; the top rubber pad is optional.

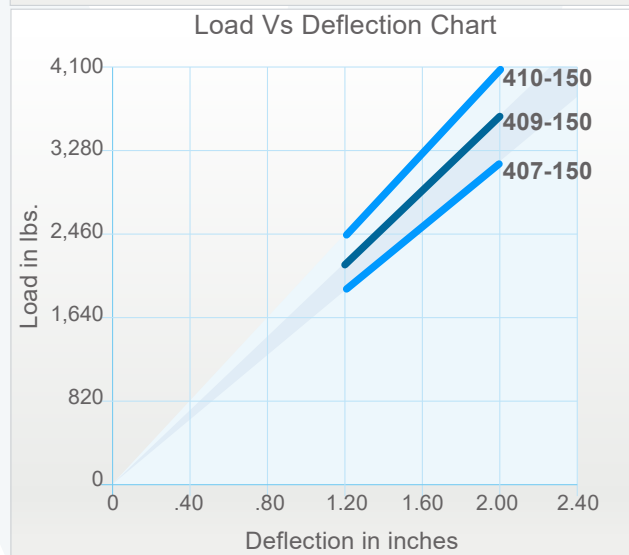
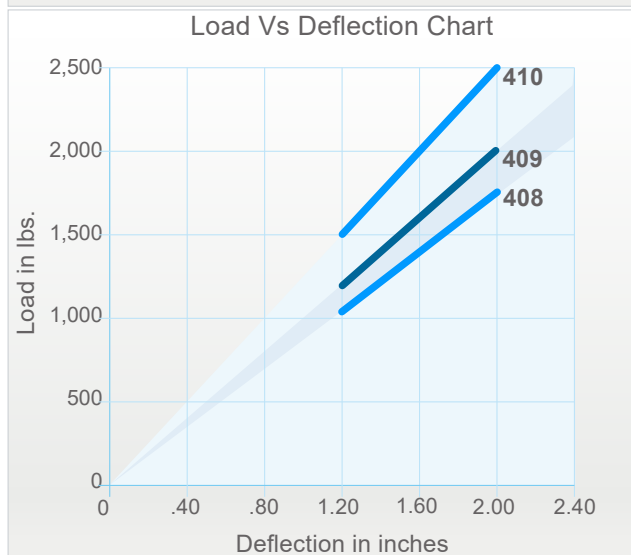
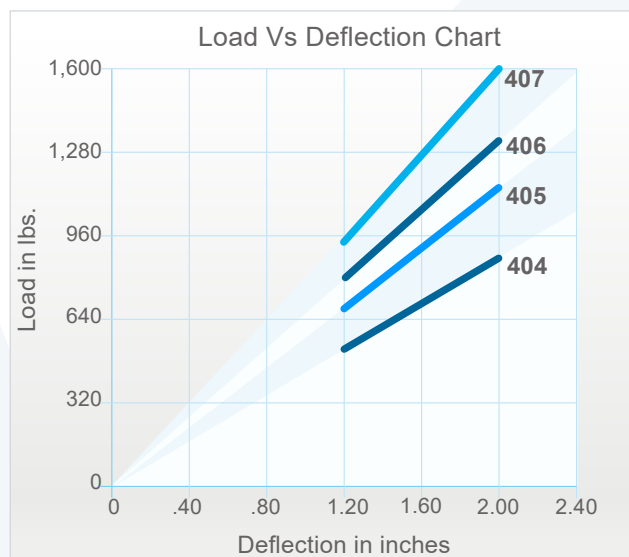
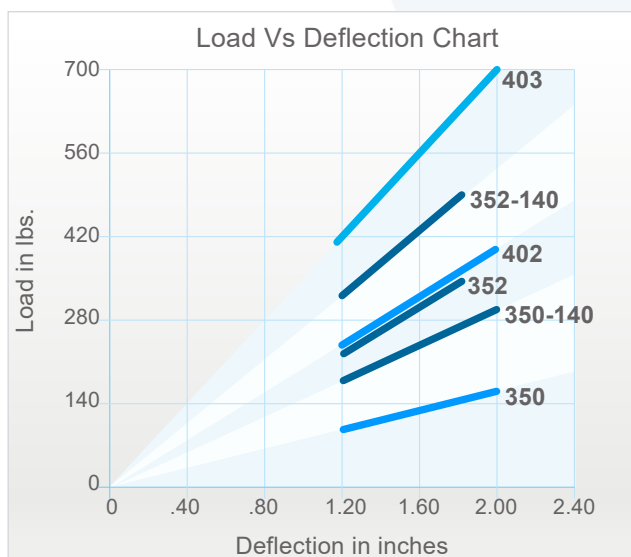
1" DEFLECTION SEISMIC RESTRAINED SPRING MOUNT/SNUBBER

Model	Rated Load (lbs)	Deflection at Rated Load (lin)	Spring Rate (lbs/in)	Spring Color	Ship. Weight (lbs)
MWT-2-302	390	1	390	Yellow	52
MWT-2-303	800	1	800	Orange	52
MWT-2-304	1,060	1	1,060	Red	52
MWT-2-303-311	1,300	1	1,300	Orange/Green	54
MWT-2-305	1,650	1	1,650	White	52
MWT-2-306	2,000	1	2,000	Brown	52
MWT-2-306-311	2,400	1	2,400	Brown/Green	54
MWT-2-305-312	2,800	1	2,800	White/Yellow	54
MWT-2-307	3,400	1	3,400	Green	52
MWT-2-308	4,000	1	4,000	Black	52
MWT-2-307-312	4,660	1	4,660	Green/Yellow	54
MWT-2-309	5,200	1	5,200	Blue	52
MWT-2-308-313	5,980	1	5,980	Black/Orange	54
MWT-2-308-314	6,500	1	6,500	Black/Grey	54
MWT-2-309-314	7,700	1	7,700	Blue/Grey	54



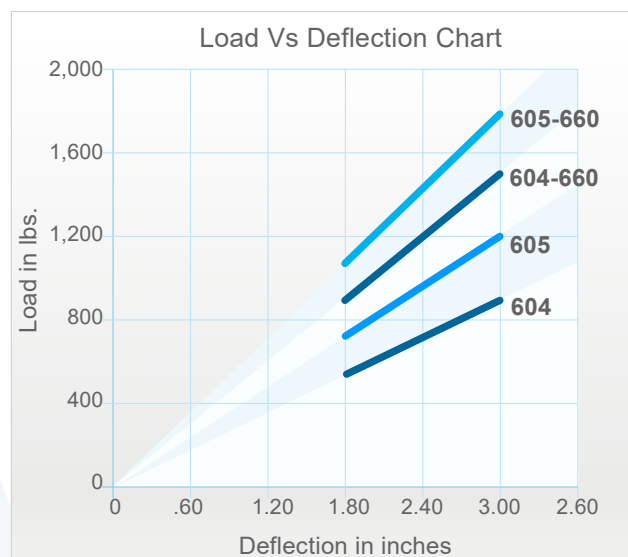
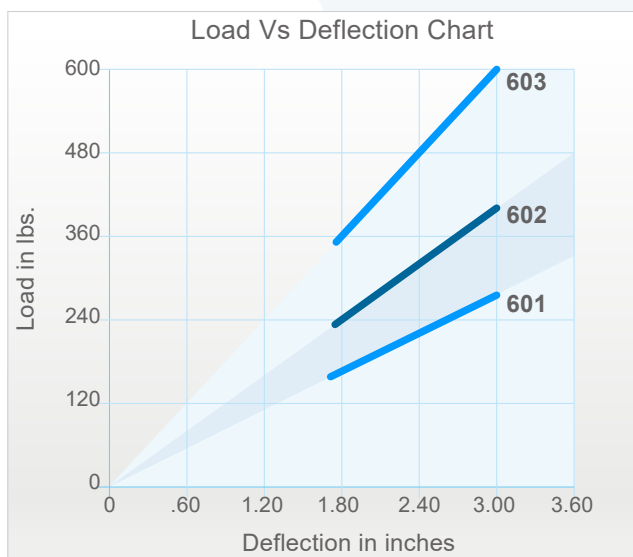
2" DEFLECTION SEISMIC RESTRAINED SPRING MOUNT/SNUBBER

Model	Rated Load (lbs)	Deflection at Rated Load (lin)	Spring Rate (lbs/in)	Spring Color	Ship. Weight (lbs)
MWT-2-350	160	2	80	Plated	54
MWT-2-350-140	300	2	150	Plated/Plated	56
MWT-2-352	360	1.8	200	Plated	54
MWT-2-402	400	2	200	Grey	54
MWT-2-352-140	500	1.8	277	Plated/Plated	56
MWT-2-403	696	2	348	Black	54
MWT-2-404	906	2	453	Blue	54
MWT-2-405	1,180	2	590	Red	54
MWT-2-406	1,352	2	676	Orange	54
MWT-2-407	1,574	2	787	Green	54
MWT-2-408	1,836	2	918	White	54
MWT-2-409	2,000	2	1,000	Brown	54
MWT-2-410	2,500	2	1,250	Yellow	54
MWT-2-407-150	3,174	2	1,587	Green/Grey	56
MWT-2-409-150	3,600	2	1,800	Brown/Grey	56
MWT-2-410-150	4,100	2	2,050	Yellow/Grey	56



3" DEFLECTION SEISMIC RESTRAINED SPRING MOUNT/SNUBBER

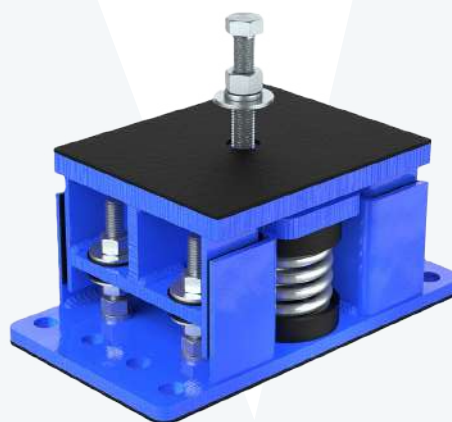
Model	Rated Load (lbs)	Deflection at Rated Load (lin)	Spring Rate (lbs/in)	Spring Color	Ship. Weight (lbs)
MWT-2-601	280	3	93.3	Blue	56
MWT-2-602	400	3	133.3	Yellow	56
MWT-2-603	600	3	200	Orange	56
MWT-2-604	900	3	300	Red	56
MWT-2-605	1,200	3	400	Green	56
MWT-2-604-660	1,500	3	500	Red/Grey	58
MWT-2-605-660	1,800	3	600	Green/Grey	58



Model nomenclature:

MWT-2-410

└─ Spring's Name
└─ Double springs



Notes:

- a) 300 Spring: 3" Outside diameter x 4.75" Free Length.
- b) 400 Spring: 3" Outside diameter x 5.75" Free Length.
- c) 600 Spring: 3" Outside diameter x 6.75" Free Length
- d) All springs are designed with a horizontal stiffness of 0.8 times of the vertical rated stiffness (K_x / K_y)
- e) Rated load is the maximum load recommended.