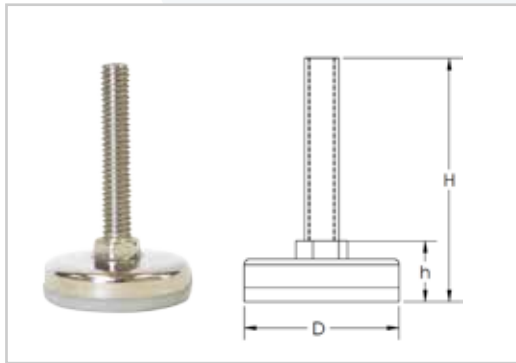
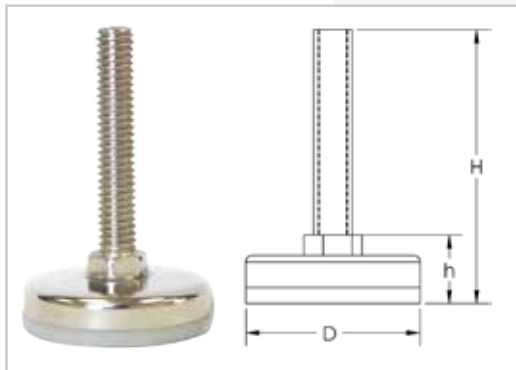


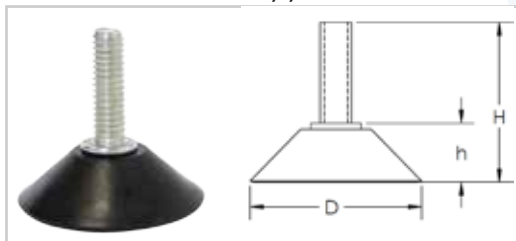
GLIDES/FEET



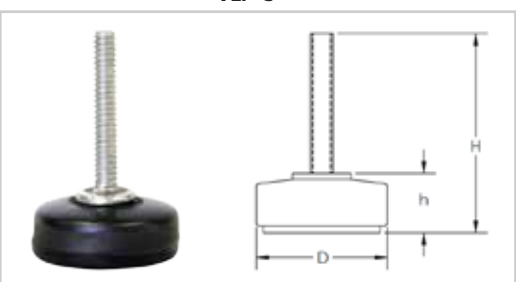
VLP-2



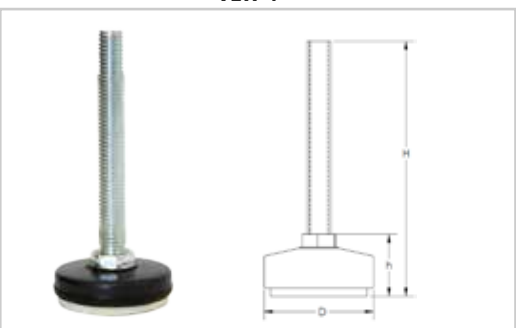
VLP-3,4,5



VLP-C



VLW-1



VLW-2,3

VLP Series - Glide

VLW Series - Leveler

VLP feet/glides are ideal for a wide range of light duty applications where simple and precise leveling is required.

Features:

- ✓ Easy height adjustment.
- ✓ Stud and base top is zinc-plated steel with a white plastic insert.

Model	Max Load (lbs)	Mount Dimensions (inch)			
		H	D	h	T
VLP	Load	H	D	h	T
VLP2	75	1.9	1-1/8	7/16	1/4-20
VLP3	120	2-1/8	1	.66	5/16-18
VLP4	250	2-7	1.7	11/16	3/8-16
VLP5	300	2-3/16	1.7	11/16	3/8-16

VLP-C Glide has black plastic base and plated steel stud.

VLP-C	Load	H	D	h	T
VLP-C	300	1.6	1.7	0.6	5/16-18

VLW levelers have plated steel studs. Base tops are plastic with black rubber incerts for VLW-1 and white nitrile rubber inserts for VLW-2,3.

VLW	Load	H	D	h	T
VLW1	75	2-1/4	1-3/8	3/4	1/4-20
VLW2	150	4	1-3/4	1	3/8-16
VLW3	300	5	2-1/4	1-1/8	1/2-13