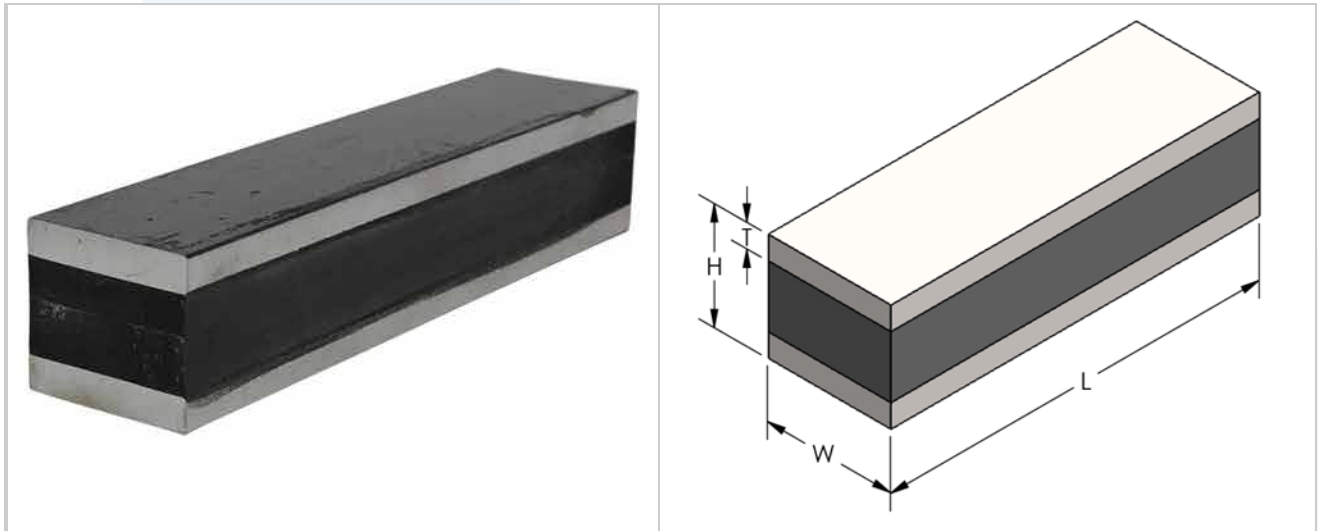


SM-Series

SM Sandwich Bar Mount

This mount configuration allows the top and bottom plates to be drilled anywhere along their length. The plates are bonded together with oil-resistant neoprene elastomer.



Features:

- ✓ **Low installation height.**
- ✓ **Effectively isolates against horizontal, vertical, and shock forces.**
- ✓ **Superior ability to withstand shear load with low horizontal deflection.**

Custom Options:

Material: Aluminum, or stainless steel.

Other elastomer materials/compounds available on request.

Available in any length in 2" increments and in custom width and height with pre drilled and taped hole.

Model						SM - Sandwich Bar Mount					
FSM	L (in)		W (in)	H (in)	T (in)	Load-Lbs		Linear-inch			
SM - 1	12, 24, 48		2	1-3/4	5/16	300					
SM - 2	12, 24, 48		3	2	3/8	450					
SM - 3	12, 24, 48		4	2-5/16	1/2	600					

