

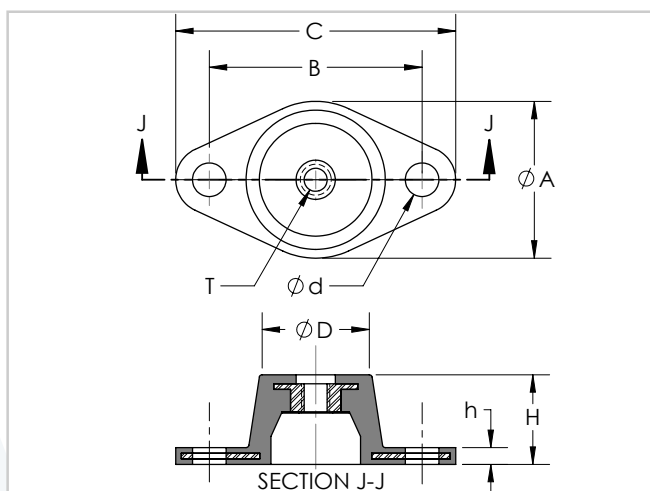
## COMPRESSION MOUNTS

FMD compression mounts have great vertical-direction flexibility, and significantly reduce transfer of vibration to the supporting structure. These models are designed for installation on applications with continuous and intermittent loads. Elastomeric bodies of the isolators effectively prevent metal-to-metal contact.

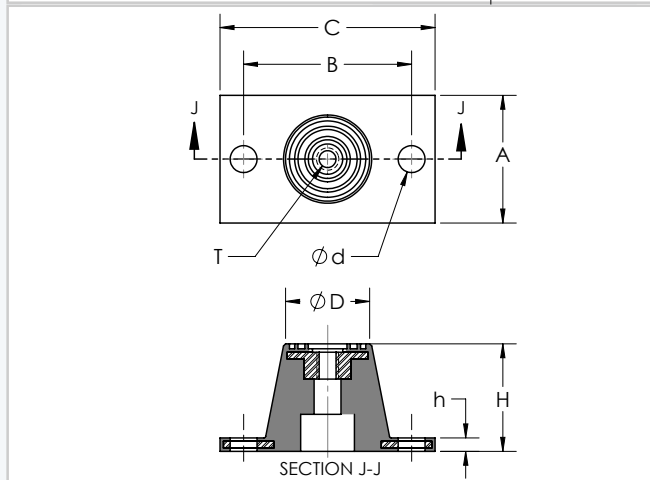
### Recommended for:

Motors, fans, pumps, compressors, transformers, electrical, lab-testing equipment and cabinet enclosures, as well as HVAC and other industrial equipment.

FMD-1, 2, 3, 4, 5, 6, 7N, 8N, 9N



FMD-7, 8, 9



### Features:

- Maximum dynamic impact loads should not exceed 70% of maximum load capacity.
- FMD models 1 to 6 can be used for wall or ceiling mounts installations.

## COMPRESSION MOUNTS

Model	Maximum Load (lbs)	Mount Dimensions (inch)								Color
		A	B	C	D	H	h	d	T	
FMD-1	25	1-3/4	2-3/8	3-1/8	1-1/4	1-1/4	3/16	3/8	5/16-18	Red
FMD-2	50	1-3/4	2-3/8	3-1/8	1-1/4	1-1/4	3/16	3/8	5/16-18	Green
FMD-3	75	1-3/4	2-3/8	3-1/8	1-1/4	1-1/4	3/16	3/8	5/16-18	Black
FMD-4	150	2-3/8	3-1/8	4	1-5/8	2	1/4	1/2	3/8-16	Red
FMD-5	225	2-3/8	3-1/8	4	1-5/8	2	1/4	1/2	3/8-16	Green
FMD-6	300	2-3/8	3-1/8	4	1-5/8	2	1/4	1/2	3/8-16	Black
FMD-7	450	3-3/8	4-1/8	5-1/2	2-3/8	2-7/8	1/4	9/16	1/2-13	Red
FMD-8	750	3-3/8	4-1/8	5-1/2	2-3/8	2-7/8	1/4	9/16	1/2-13	Green
FMD-9	1,000	3-3/8	4-1/8	5-1/2	2-3/8	2-7/8	1/4	9/16	1/2-13	Black
FMD-7N	450	3-3/8	4-1/8	5-1/2	2-3/8	3	1/4	9/16	1/2-13	Red
FMD-8N	750	3-3/8	4-1/8	5-1/2	2-3/8	3	1/4	9/16	1/2-13	Green
FMD-9N	1,000	3-3/8	4-1/8	5-1/2	2-3/8	3	1/4	9/16	1/2-13	Black

