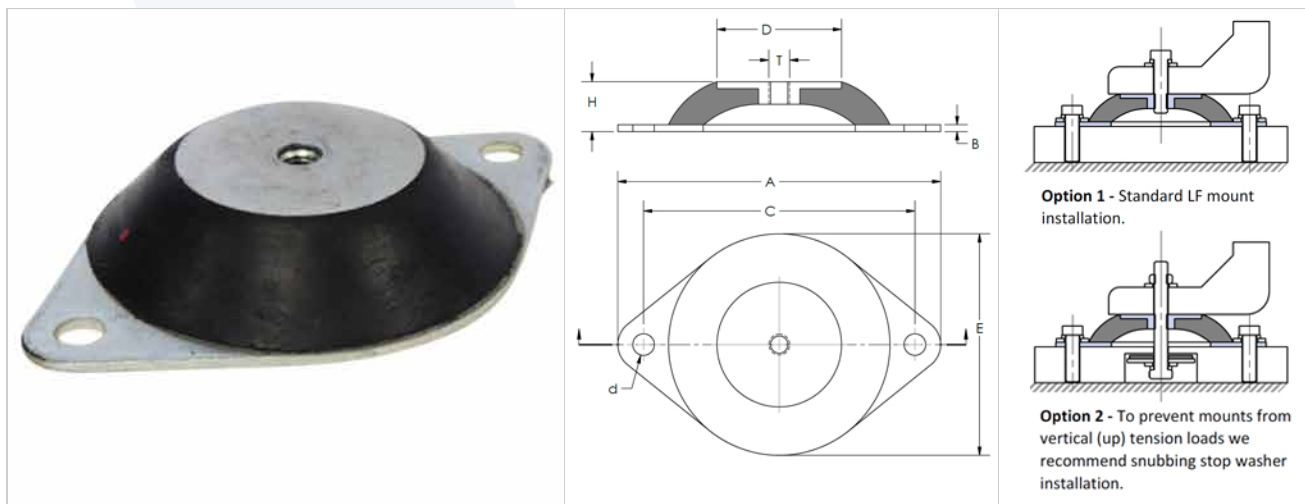


LF-Series

LF-Series compression mounts have great vertical-direction flexibility, and significantly reduce transfer of vibration to the supporting structure. These models are designed for installation on applications with continuous and intermittent loads. Elastomeric bodies of the isolators effectively prevent metal-to-metal contact.



Recommended for:

Motors, fans, motors/generators, pumps, compressors, transforms, electronics/electrical cabinets, test-lab equipment and many other industrial applications.

Model	Max Load (lbs)	Dimensions (inches)							
		A	B	C	D	E	d	H	T
LF 4045	16	2.5	.08	2.0	.9	1.8	.24	.7	1/4-20
LF 4060	36	2.5	.08	2.0	.9	1.8	.24	.7	1/4-20
LF 6045	60	3.5	.08	3.0	1.2	2.38	.24	.9	1/4-20
LF 6060	125	3.5	.08	3.0	1.2	2.38	.24	.9	1/4-20
LF 8045	150	4.75	.10	3.95	1.8	3.38	.34	.9	5/16-18
LF 8060	300	4.75	.10	3.95	1.8	3.38	.34	.9	5/16-18
LF 10045	150	5.83	.12	4.9	2.25	4.0	.39	.9	3/8-16
LF 10060	300	5.83	.12	4.9	2.25	4.0	.39	.9	3/8-16
LF 15060	700	8.45	.16	7.16	3.0	5.9	.47	1.4	1/2-13
LF 20045	1100	11	.20	9.45	4.95	7.9	.56	1.57	3/4-10
LF 20060	1800	11	.20	9.45	4.95	7.9	.56	1.57	3/4-10

COMPRESSION MOUNTS

LF Compression Mounts

