

ELASTOMER HANGERS

AVH Series are light duty economical hangers with small rubber elements fitted in steel housings. All metal AVH housing frames are painted for better resistance to corrosion.



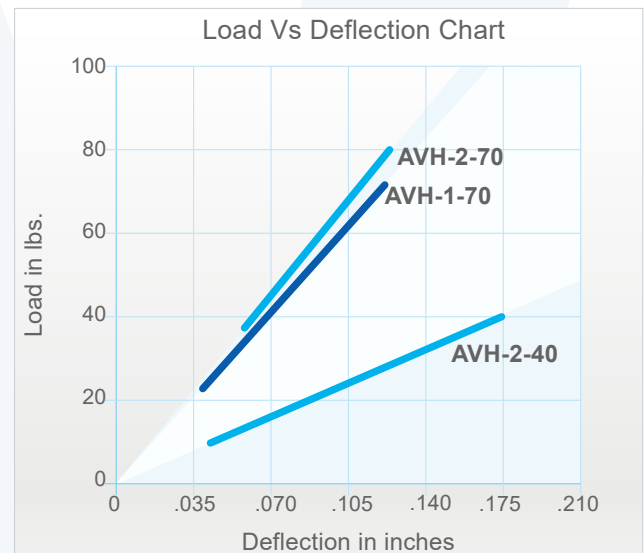
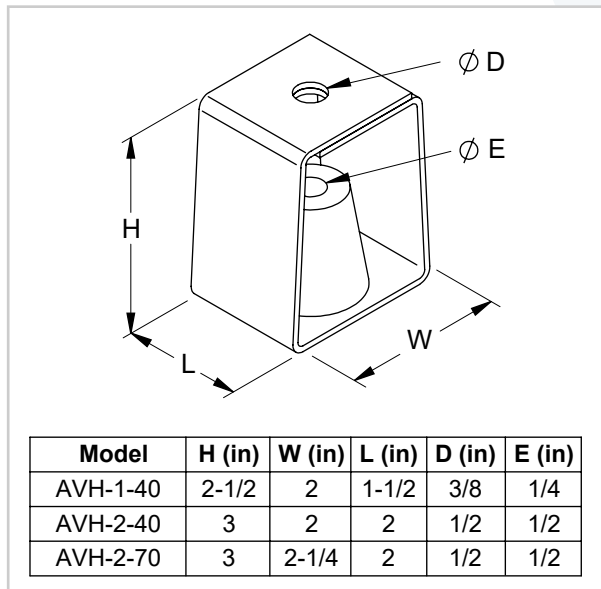
Recommended for:

All hangers are used in installation of fans, A/C, pipes, ducts, transformers, air compressors, pumps, distribution cabinets, and other suspended structures and building services

Features:

- ✓ Light duty and very economical for less critical applications.
- ✓ Painted steel frame for better corrosion resistance.
- ✓ Fitted rubber inserts for better isolation of transferred vibrations and noise level reduction.

Model	Rated Load (lbs)	Deflection at Rated Load (lin)	Spring Rate (lbs/in)	Durometer (Shore A)	Ship. Weight (lbs)
AVH-1-70	70	.100	700	70	0.3
AVH-2-40	40	.175	228	40	0.6
AVH-2-70	80	.120	667	80	0.6



Notes:

- a) Rubber elements are made of neoprene.
- b) Rated load is the maximum load recommended.