

## ELASTOMER HANGERS

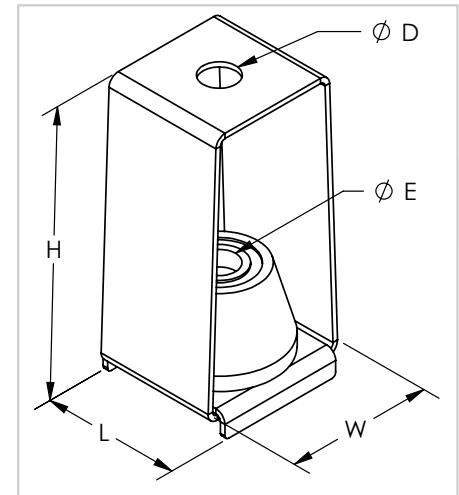
HA-E / HB-E / HC-E models are heavy duty hangers and incorporate a new design of steel housing, with the base's two sides bent down. This considerably increases the rigidity of the steel frame, eliminating the possibility of the bending of the frame's bottom plate under heavy loads. Elastomer element have vulcanized steel washers in the top and bottom of te rubber cups, providing even and uniform load distribution on the bottom plate of the steel housing. This elastomer element reduce the transfer of vibration and noise.



### Recommended for:

Elastomer hangers are used in installation of: fan coil units, air circulation units, pipes, ducts, transformers, air compressors, pumps, power boxes, and other suspended structures and building services.

Model	Rated Load (lbs)	Deflection at Rated Load (in)	Spring Rate (lbs/in)	Dimensions in inches				
				H	W	L	D	E
HA-E1-40	60	.12	500	4-1/4	2-1/8	2	1/2	1/2
HA-E1-60	150	.12	1,250	4-1/4	2-1/8	2	1/2	1/2
HA-E1-80	225	.12	1,875	4-1/4	2-1/8	2	1/2	1/2
HB-E2-40	200	.15	1,330	5-1/8	2-7/8	2-3/4	5/8	5/8
HB-E2-60	450	.15	3,000	5-1/8	2-7/8	2-3/4	5/8	5/8
HB-E2-80	800	.15	5,330	5-1/8	2-7/8	2-3/4	5/8	5/8
HC-E3-40	400	.16	2,500	8-3/4	3-1/2	3-1/4	5/8	3/4
HC-E3-60	850	.16	5,300	8-3/4	3-1/2	3-1/4	5/8	3/4
HC-E3-80	2,000	.16	12,500	8-3/4	3-1/2	3-1/4	5/8	3/4



### Features:

- ✓ Black elastomer element has vulcanized steel washers for uniform load distribution.
- ✓ Standard design allows angular misalignment of 15°.
- ✓ Housing is yellow zinc plated for better corrosion resistance.

### Installation Instructions:

In order to allow isolators to operate efficiently install hangers with a gap as shown below. Hangers are designed to allow to compensate minor misalignments.

