

ELASTOMER HANGERS

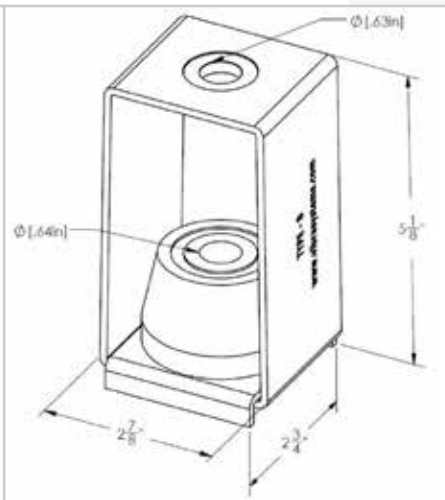
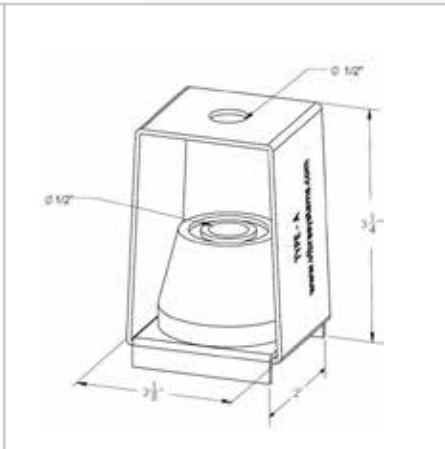
HA and HB heavy duty hangers incorporate a newly design of the steel housing with two sides bent down considerably increasing rigidity of the steel housing and eliminate bending of frames bottom plate under load. Elastomer elements have vulcanised steel washers in the top and bottom of the rubber Inserts - providing even and uniform load distribution on the bottom plate of the steel frame.

Features:

- ✓ **New base plate design of the steel frame with two bent down sides considerably increases rigidity of the housing.**
- ✓ **Elastomer elements have vulcanized steel washer for uniform load distribution on the base.**
- ✓ **Bright zinc plated steel frames for better corrosion protection.**

Recommended for:

All hangers are used in installation of: Fans, A/C, pipes, ducts, transformers, air compressors, pumps, power boxes, transformers, and other suspended structures and building services.



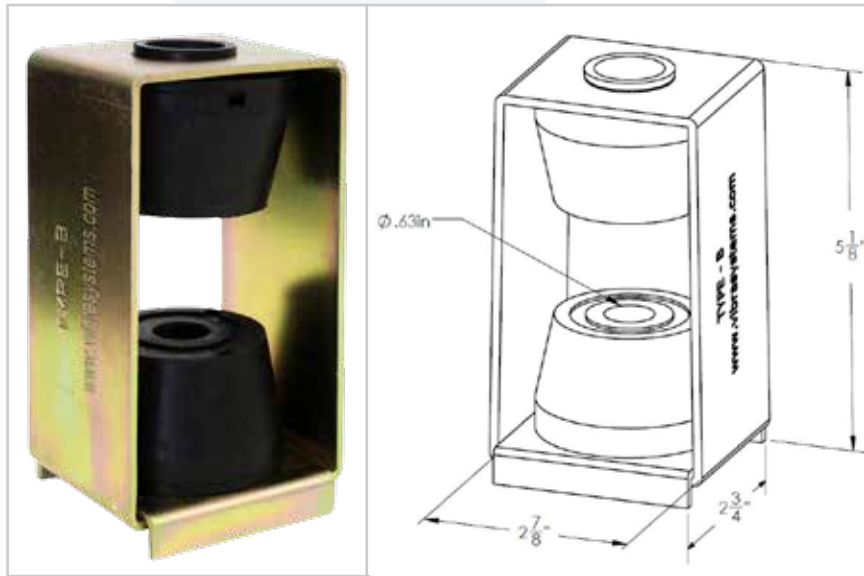
Model	Durometers	Load Range	Deflection (in)
-------	------------	------------	-----------------

HA-E1-40	40	45-90	.187
HA-E1-60	60	90-180	.187
HA-E1-80	80	200-400	.187

Model	Durometers	Load Range	Deflection (in)
-------	------------	------------	-----------------

HB-E2-40	40	100-200	.220
HB-E2-60	60	250-500	.220
HB-E2-80	80	375-750	.220

ELASTOMER HANGERS



Model	Durometers	Load Range	Deflection (in)
HB-E1D-40	40	45-90	.187
HB-E1D-60	60	90-180	.187
HB-E1D-80	80	200-400	.187

Model	Durometers	Load Range	Deflection (in)
HB-E2D-40	40	100-200	.220
HB-E2D-60	60	250-500	.220
HB-E2D-80	80	375-750	.220

