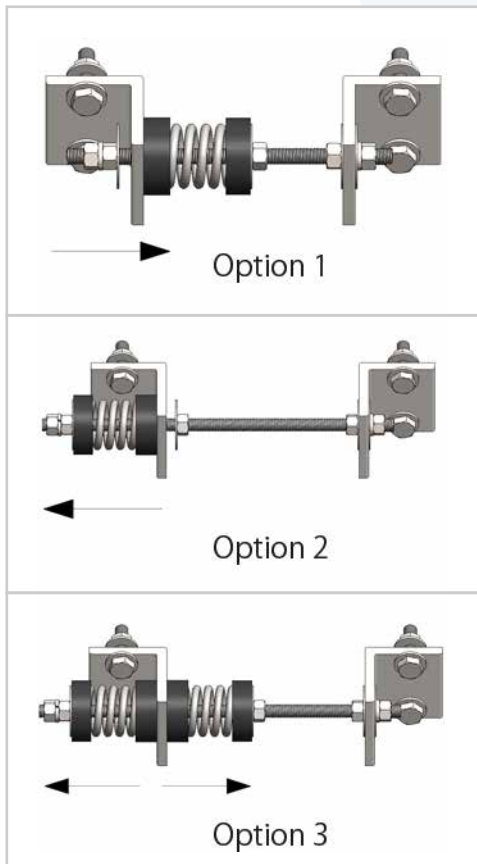
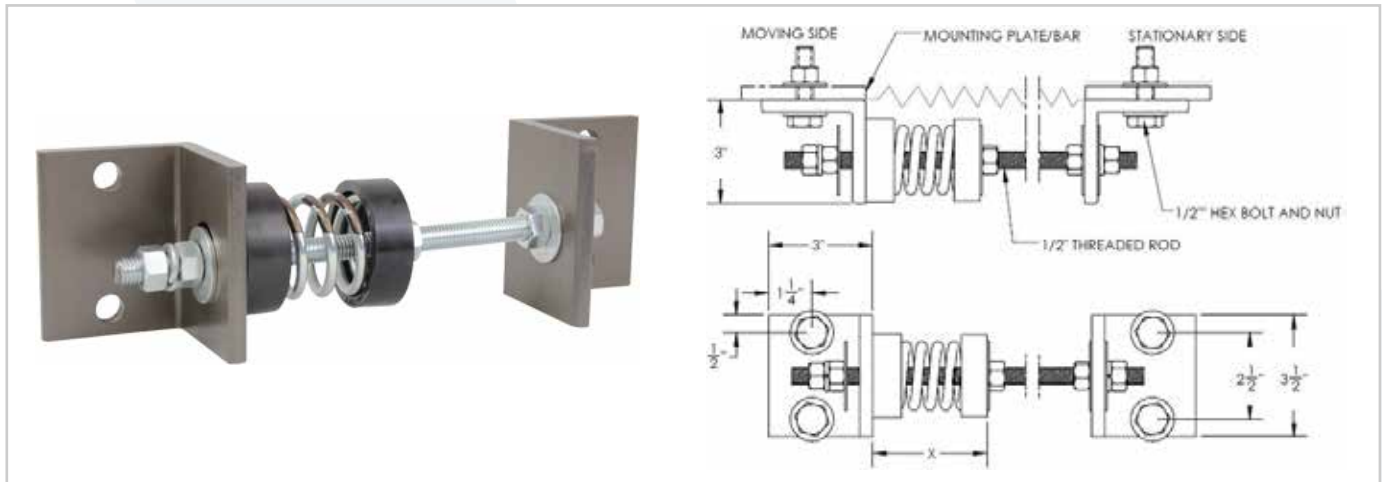


HORIZONTAL THRUST RESTRAINT

EFJR Series

EFJR Series are designed to help to control expansion of the flexible joints connection. Available in three design options to control expansion: to the right, to the left or both ways.



Features:

- ✓ Heavy steel angles.
- ✓ Spring elements are color coded.
- ✓ Elastomer cups have embedded steel washer for uniform load distribution.
- ✓ Available assemblies with
 - 120 series: 2-3/4" long spring with 1" deflection.
 - 100 series: 4" long spring with 1.5" deflection
 - 140 series: 5" long springs with 2" deflection.
- ✓ All springs have 2.0" outside diameter.

HORIZONTAL THRUST RESTRAINT

Model	Max load (lbs)	Deflection at Max Load (in)	Solid Load (lbs)	Deflection at Solid Load (in)	Colour
EFJR-121	37	0.95	75	1.20	Silver
EFJR-122	75	0.81	150	1.50	Silver
EFJR-123	112	0.97	225	1.70	Silver
EFJR-124	187	0.85	375	1.50	Silver
EFJR-125	220	0.72	440	1.88	Silver
EFJR-126	337	0.72	675	1.32	Silver
EFJR-127	500	0.70	1000	1.25	Silver
EFJR-101	55	1.15	110	2.25	Black
EFJR-103	130	1.08	260	2.13	Blue
EFJR-105	237	0.83	475	1.75	Brown
EFJR-107	550	0.93	1100	1.70	Yellow
EFJR-109	750	0.63	1500	1.25	Green
EFJR-140	65	1.75	130	3.00	Black
EFJR-142	140	1.25	280	2.70	Blue
EFJR-144	300	1.25	600	2.40	Brown
EFJR-146	600	1.10	1200	2.25	Yellow
EFJR-148A	900	1.00	1800	2.00	Green

Available:

For custom orders Vibra systems Inc. can manufacture:

1. Horizontal thrust restraints with 3" Dia Springs. Springs are 5" Long and have 2" deflection.
2. Stainless steel brackets, threaded rod and all fasteners.