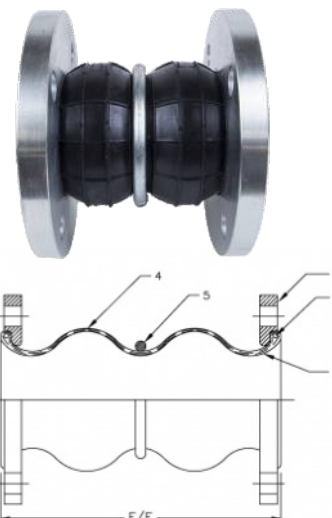


### Applications

- Pressure piping systems in building equipment and general industrial plants.
- Pump and turbine lines used for power generation plants, industrial machinery and universal pump blowers.
- Feed-water & drainage lines for waterworks & sanitary piping systems.
- Pipelines for industrial plants and shipbuilding yards.

### Features

- Applicable for suction and delivery (discharge).
- Designed for greater compression, elongation, and angular movement than the single sphere expansion joint.
- Excellent for absorbing thermal expansion and eliminating sound and vibration.
- Gaskets and packing not required.
- Good electrical insulator.
- Absorbs water pulsation and minimizes water hammering.



### Operating Conditions

<b>Size Range</b>	<b>1-1/2"-24"</b>
Operating Pressure	up to 290 psi - 20 bar
Operating Temp. Range*	14°-170°F / -10°-77°C (NEO) 14°-239°F / -10°-115°C (EPDM)
Test Pressure	435 psi - 30 bar
Vacuum Rating*	Contact Easyflex

**Note:** Also Available in 145/232 psi - 10/16 bar.

### Materials

Part	Part Description	Material
1	Flanges	Carbon Steel (Zinc Electroplated Powder Coated)
2	Reinforcing Fabric	Nylon
3	Reinforcing Wire	Mild Steel
4	Tube/Cover	NEO/EPDM
5	Strengthening Ring	Mild Steel Plated / SS304

Size		Face To Face Dimension		Allowable Motion Ratings* Compression		Allowable Motion Ratings* Elongation		Allowable Motion Ratings* Lateral		Allowable Motion Ratings* Angular
Inch	mm	Inch	mm	Inch	mm	Inch	mm	Inch	mm	
1-1/2"	40	7"	178	2"	51	1-1/8"	29	1-3/4"	44	35°
2"	50	7"	178	2"	51	1-1/8"	29	1-3/4"	44	35°
2-1/2"	65	7"	178	2"	51	1-1/8"	29	1-3/4"	44	35°
3"	80	7"	178	2"	51	1-3/8"	35	1-3/4"	44	35°
4"	100	9"	229	2"	51	1-3/8"	35	1-9/16"	40	35°
5"	125	9"	229	2"	51	1-3/8"	35	1-9/16"	40	30°
6"	150	9"	229	2"	51	1-3/8"	35	1-9/16"	40	30°
8"	200	13"	330	2-3/8"	60	1-3/8"	35	1-3/8"	35	30°
10"	250	13"	330	2-3/8"	60	1-3/8"	35	1-3/8"	35	30°
12"	300	13"	330	2-3/8"	60	1-3/8"	35	1-3/8"	35	20°
14"	350	13-3/4"	349	1-9/16"	60	1-1/8"	29	1-1/8"	29	20°
16"	400	13-3/4"	349	1-9/16"	40	1-1/8"	29	1-1/8"	29	20°
18"	450	13-3/4"	349	1-9/16"	40	1-1/8"	29	1-1/8"	29	20°
20"	500	13-3/4"	349	1-9/16"	40	1-1/8"	29	1-1/8"	29	20°
24"	600	13-3/4"	349	1-9/16"	40	1-1/8"	29	1-1/8"	29	20°

**Note:** Customized for flanges ANSI-150, ANSI-300 and DIN (Other Drilling Available on Request)

**Warning:** Do NOT elongate rubber expansion joints when installing for suction service.