

CORK RUBBER MOUNTING PADS

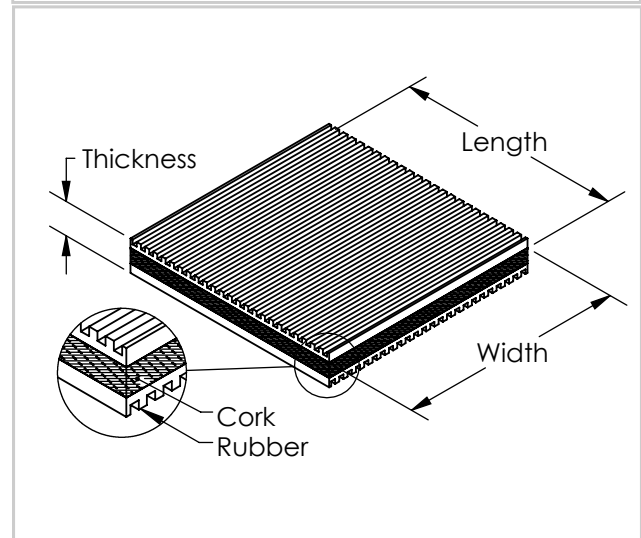
CRMP Series

VibraSystem Inc. CRMP Cork Rubber Mounting Pad is designed to solve problems caused by structure born vibration and noise. Constructed of cork with opposed ribbed pads on either sides for added isolation and positive grip.

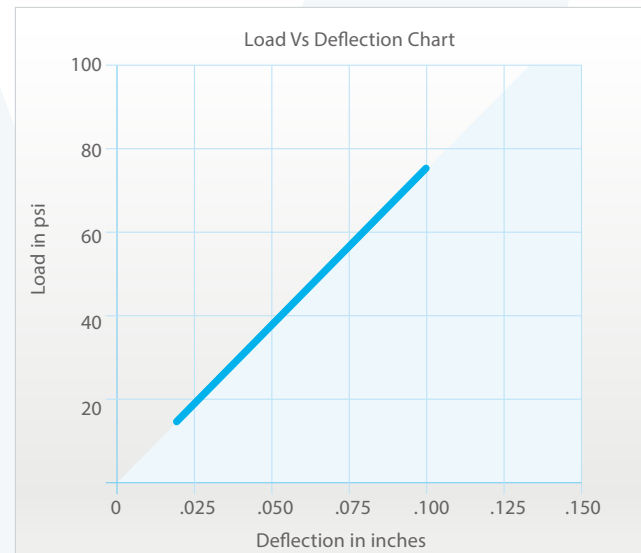
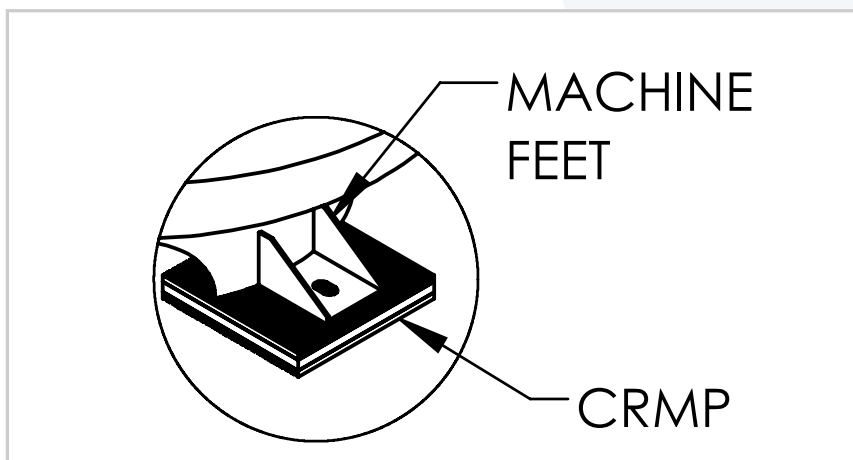
Recommended for:

The CRMP Pad is suitable for applications where bolting is to be avoided and minor non-critical vibration conditions exist. It is also recommended for indoors applications such as compressors, blowers, AC units chillers, pumps, etc.

Model	Working Load Range (lbs)	Dimensions in inches		
		Length (in)	Width (in)	Thickness (in)
CRMP-0202	60 - 300	2	2	1
CRMP-0303	135 - 675	3	3	1
CRMP-0404	240 - 1,200	4	4	1
CRMP-0606	540 - 2,700	6	6	1
CRMP-0808	960 - 4,800	8	8	1
CRMP-1212	2,160 - 10,800	12	12	1
CRMP-1818	4,860 - 24,300	18	18	1



Typical Installation:



Features:

- ✓ Excellent product for acoustic problems applications.
- ✓ Anti-skid surfaces through ribbed construction.
- ✓ Simple field installation / No bolting required.
- ✓ Working Range: 15 to 75 psi.
- ✓ Material: Special Rubber with low density cork.