

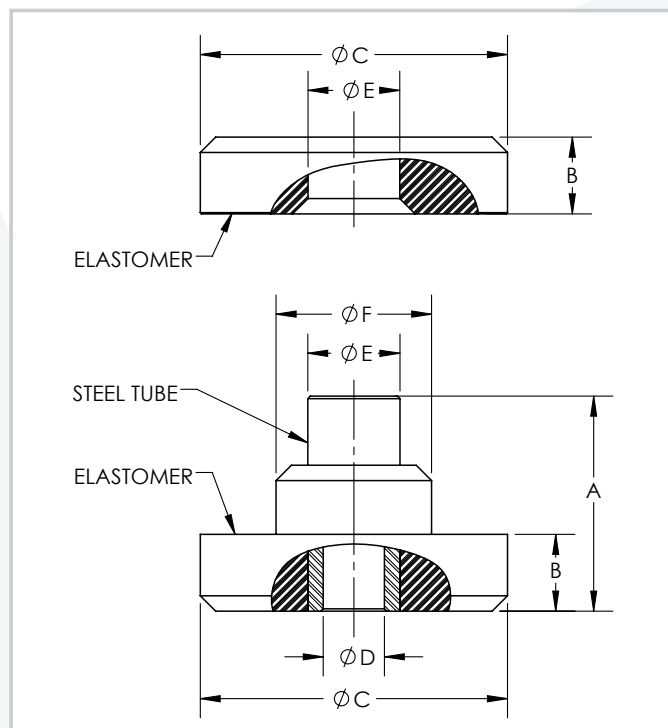
CENTER BOLTED MOUNT

CBM

CBM mounts efficiently isolate vibration and static/dynamic loads in all directions, attenuate shock inputs, prevent transmission of structure born noise, and have built-in rebound protection. Made with neoprene rubber elastomer with good resistance to industrial oils and grease compounds with operational temperature range of -40°F to 200°F.

Recommended for:

- Engines, diesel-generator systems, compressors, pumps, fans, A/C systems, radiators, trucks' cabs and fuel tanks.
- Transfer plates/frames and intermediate mounting systems between equipment and bases/foundations.
- Accessory equipment and miscellaneous industrial machinery applications.



Features:

- ✓ Available in wide range of sizes and loads
- ✓ Long service life.
- ✓ Low cost installation.

CENTER BOLTED MOUNT

Model	Rated Axial Load (lbs)	Rated Radial Load (lbs)	Dimensions in inches (in)						
			A	B	C	D	E	F	H
CBM 101	20	6	.58	.25	.75	.26	.38	.50	.125
CBM 103	40	12	.58	.25	.75	.26	.38	.50	.125
CBM 105	70	20	.58	.25	.75	.26	.38	.50	.125
CBM 201	60	20	1	.50	1.25	.32	.52	.78	.125
CBM 203	130	40	1	.50	1.25	.32	.52	.78	.125
CBM 205	200	60	1	.50	1.25	.32	.52	.78	.125
CBM 301K	60	20	1	.50	1.25	.39	.52	.78	.125
CBM 303	130	40	1	.50	1.25	.39	.52	.78	.125
CBM 305K	200	60	1	.50	1.25	.39	.52	.78	.125
CBM 401	60	20	1.32	.50	1.17	.39	.52	.76	.375
CBM 403	130	40	1.32	.50	1.17	.39	.52	.76	.375
CBM 405	200	60	1.32	.50	1.17	.39	.52	.76	.375
CBM 501	200	60	1.95	.78	1.87	.53	.82	1.27	.50
CBM 503	400	120	1.95	.78	1.87	.53	.82	1.27	.50
CBM 505	600	180	1.95	.78	1.87	.53	.82	1.27	.50
CBM 601	500	150	2.50	.90	2.50	.64	.89	1.54	.75
CBM 603	1,000	300	2.38	.86	3	.64	.89	1.54	.75
CBM 605	1,500	450	2.38	.86	3	.64	.89	1.54	.75
CBM 703	2,000	600	2.88	1	3.50	.94	1.17	2.30	1
CBM 703-M	2,000	600	2.88	1	3.50	.76	1.17	2.30	1
CBM 705-M	3,000	900	2.88	1	3.50	.76	1.17	2.30	1

Typical Installation:

