

ALL- AXES ISOLATION MOUNT

SKID MOUNT

SKID MOUNT is designed to absorb shock forces in both vertical and lateral directions.

Recommended for:

Heavy-duty applications, such as off-road vehicles, farm and construction equipment, marine generators, motors, and similar equipment.

Product Specifications:

Operating Temperature: - 20 to + 200 F

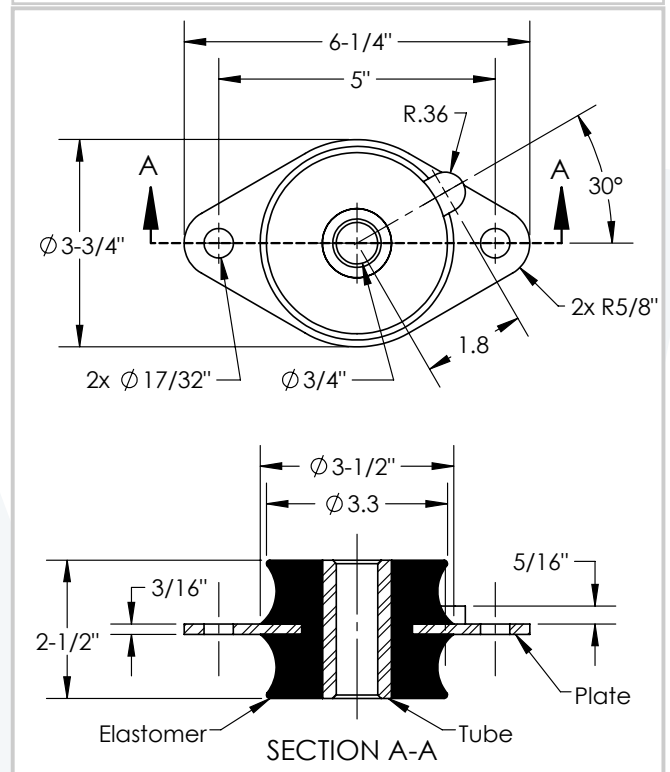
Part Weight: 1.9 lb

Materials:

Tube and Plate: Steel ASTM A36
Elastomer: Neoprene

Finish:

Tube and Plate: Bright Zinc



Features:

- ✓ Easy installation with no special tools.
- ✓ High load carrying capacity.
- ✓ Designed for both shear and compression loads and shocks.

Model	Axial Maximum Static Load (lps)	Radial Maximum Static Load (lbs)
Skid Mount	800	240