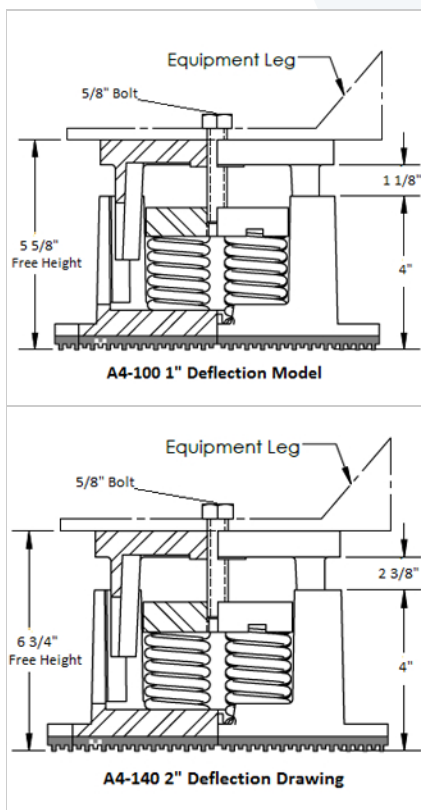
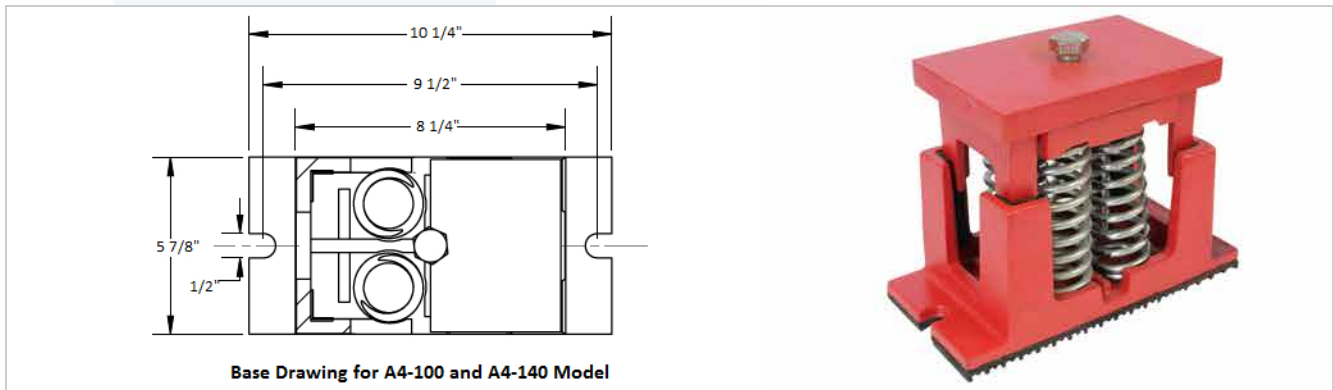


SPRING MOUNTS

1" Deflection Model A4-100 — 2" Deflection Model A4-140 Series

A4 series mounts provide an excellent isolation from critical vibrations and efficiently prevent structures from transferring vibrations.



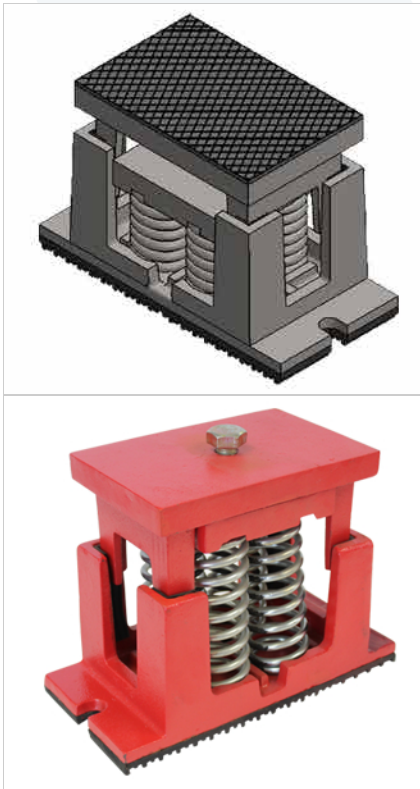
Features:

- ✓ Rubber pads on the inside of housing prevent metal to metal contact.
- ✓ Leveling plate fits inside cast iron housing, which provides extra stability in all directions when horizontal forces applies.
- ✓ Spring elements are color coded.
- ✓ These mounts are available in two assemblies: hexagon head screw top and flat rubber top.
- ✓ Maximum leveling adjustment 1/2" for all mounts.

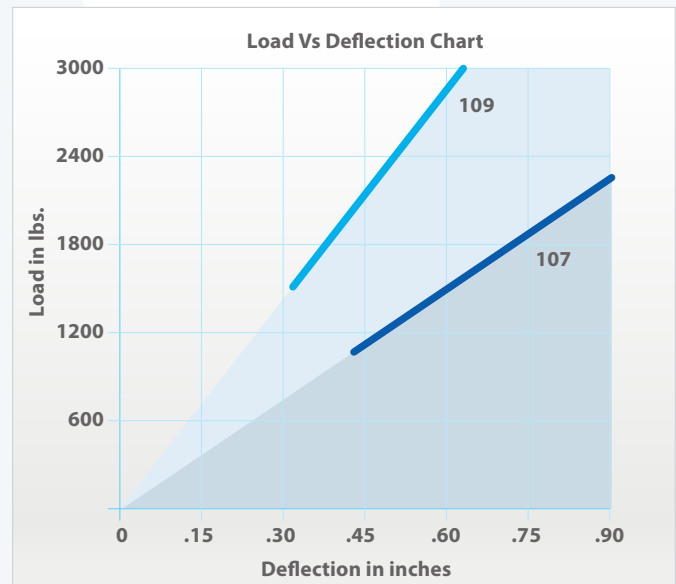
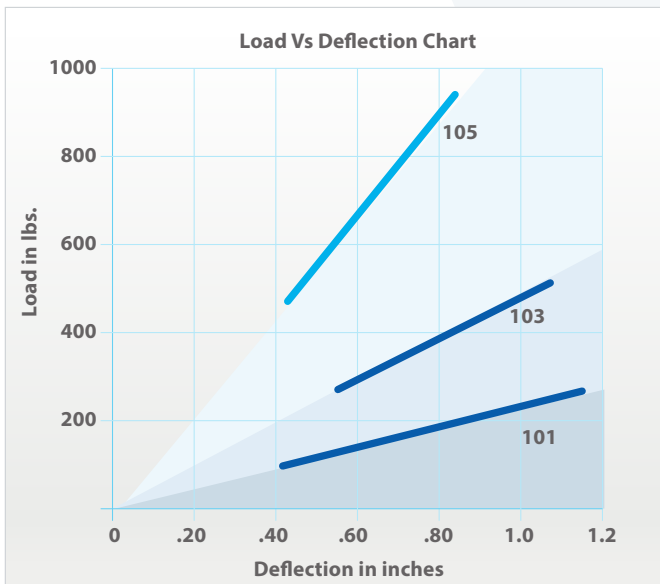
Recommended for:

Air conditioning equipment, compressors, air handling units, centrifugal fans, pumps, chillers and applications where low-frequency isolation is required.

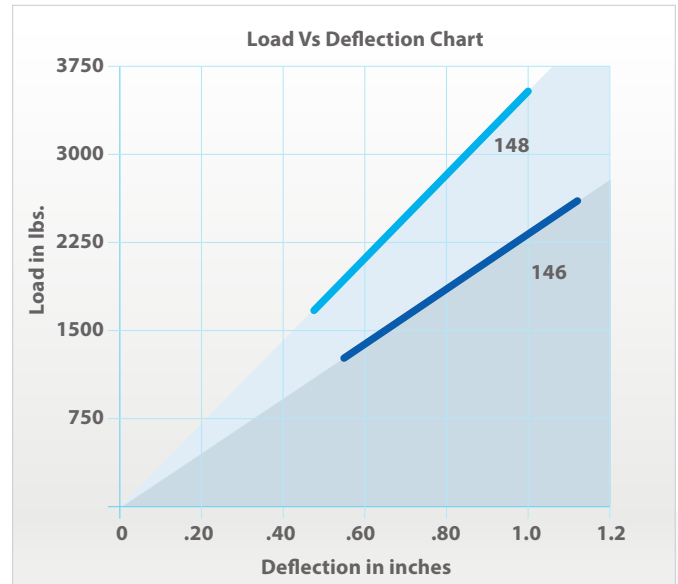
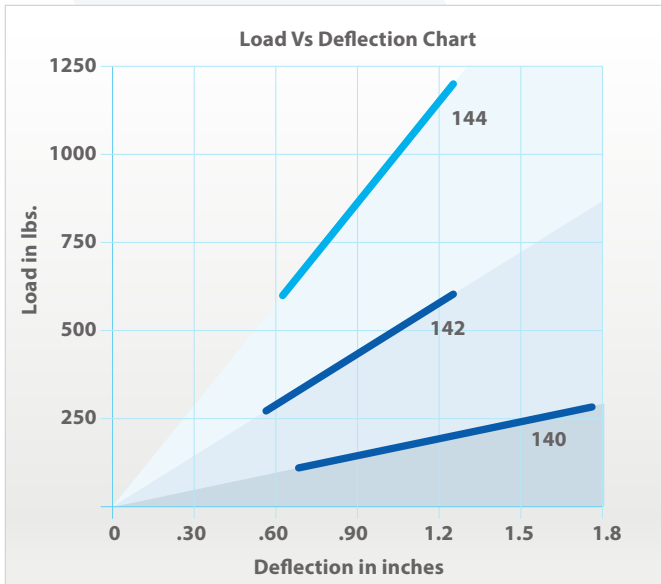
SPRING MOUNTS



Model	Max load (lbs)	Deflection at Max Load (in)	Solid Load (lbs)	Deflection at Solid Load (in)	Colour
1" Deflection					
Ax-4-101	220	1.15	440	2.25	Black
Ax-4-103	520	1.08	1040	2.13	Blue
Ax-4-105	950	0.83	1900	1.75	Brown
Ax-4-107	2200	0.93	4400	1.70	Yellow
Ax-4-109	3000	0.63	6000	1.25	Green
2" Deflection					
Ax-4-140	260	1.75	520	3.00	Black
Ax-4-142	560	1.25	1120	2.7	Blue
Ax-4-144	1200	1.25	2400	2.4	Brown
Ax-4-146	2400	1.10	4800	2.25	Yellow
Ax-4-148	3600	1.00	7200	2.00	Green



SPRING MOUNTS



- Springs have additional travel to solid beyond rated load.