

SPRING MOUNT

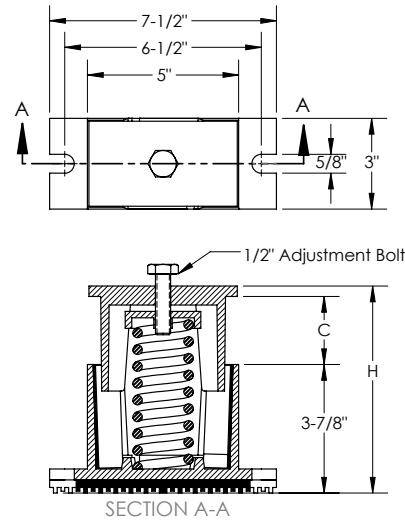
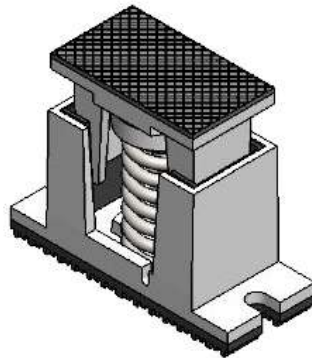
Model A1-100 : 1" Deflection / Model A1-140: 2" Deflection

A1 series 1" and 2" deflection mounts provide excellent isolation from critical vibrations, and efficiently prevent structures from transferring vibrations.

AA-1



AB-1 - Flat Top



Model	H (in)	C (in)
A1-100	5-1/2	1-3/8
A1-140	6-1/2	2-3/8

Recommended for:

Air conditioning equipment, compressors, air handling units, centrifugal fans, pumps, chillers and applications where low-frequency isolation is required.

Features:

- ✓ Side rubber pads to prevent metal to metal contact.
- ✓ Leveling plate fits inside cast iron housing to provide extra stability in all directions.
- ✓ Springs are color-coded and easily replaceable.
- ✓ These mounts are available in two assemblies - hexagon head screw top or flat surface top with non-skid rubber.
- ✓ Maximum leveling adjustment 1/2" for all mounts.
- ✓ Safety factor will accommodate 50% extra load from maximum load.

Model A1-100

Spring: 2" diameter x 4" length - 1" deflection

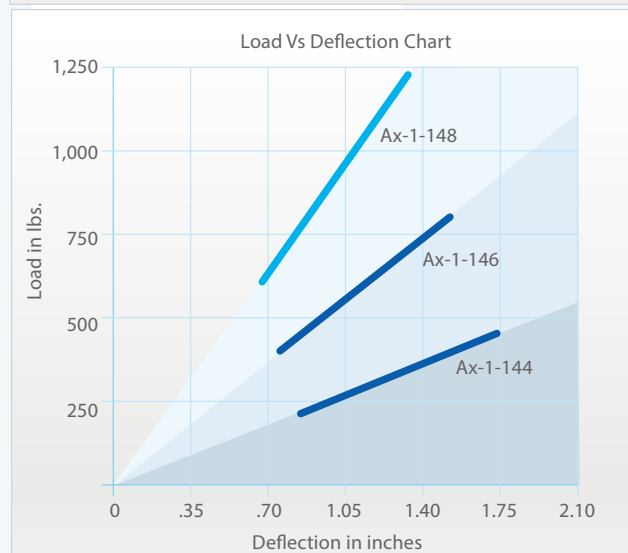
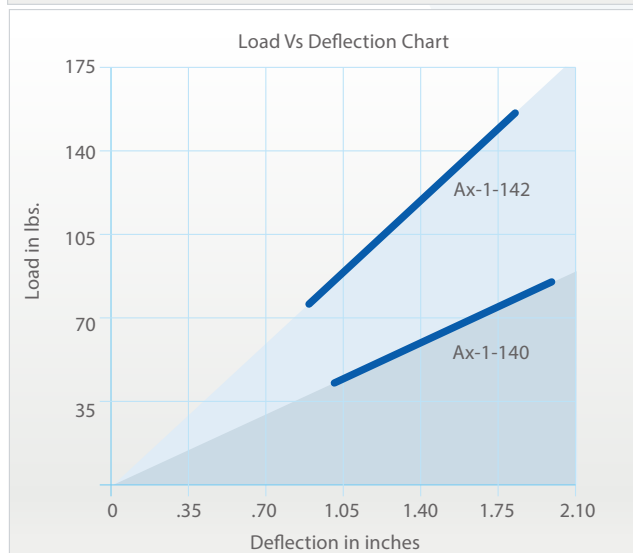
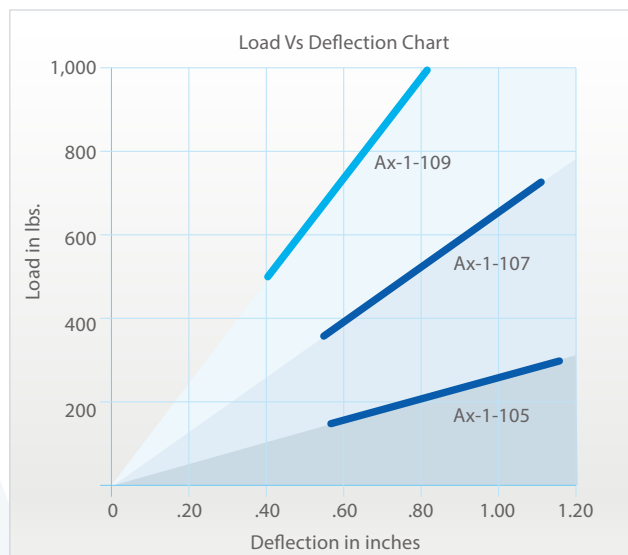
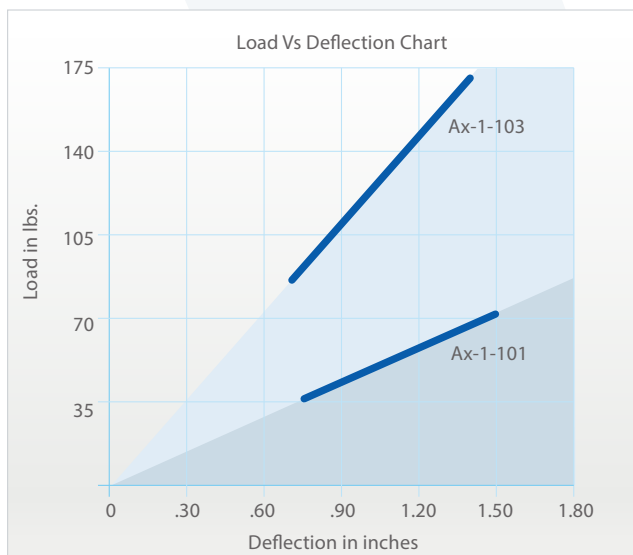
Model	Max. Load (lbs)	Deflection at Max. Load (inch)	Solid Load (lbs)	Deflection at Solid Load	Color
Ax-1-101	72	1.50	110	2.25	Black
Ax-1-103	170	1.40	260	2.13	Blue
Ax-1-105	313	1.15	475	1.75	Brown
Ax-1-107	726	1.12	1,100	1.70	Yellow
Ax-1-109	1,000	0.82	1,500	1.25	Green

SPRING MOUNT

Model A1-140

Spring : 2" diameter x 5" length - 2" deflection

Model	Max. Load (lbs)	Deflection at Max. Load (inch)	Solid Load (lbs)	Deflection at Solid Load	Color
Ax-1-140	85	2.00	130	3.00	Black
Ax-1-142	155	1.83	235	2.75	Blue
Ax-1-144	445	1.73	675	2.60	Brown
Ax-1-146	810	1.50	1,220	2.25	Yellow
Ax-1-148	1,230	1.33	1,850	2.00	Green



Note:

The "x" indication on the model represents the two options available (Flat Top and Bolt). When ordering a model the letter "x" must be substitute either by "A" (Bolt on top) or "B" (Flat Top).